

DATA SHEET

Premium Efficiency Motor: **OW5-12-215T**

60 Hz

WorldWide Electric Corporation

1 (800) 808-2131

Worldwideelectric.net



Document Generated: 8-Feb-2024
Document ID:

Customer:

MOTOR INFORMATION	
HP	5
RPM	1200
Phase	3
Frequency	60 Hz
Voltage	230/460/796
Frame Size	215T
Enclosure	TEFC
Degree of Protection	IP55
Service Factor	1.15
Poles	6
Full Load Speed	1128
Insulation Class	F
Temp Rise	80°C
NEMA Code Letter	J
Duty Cycle	S1 / Continuous
Slip	6.00%
NEMA Design	D
Moment of Inertia	0.7035 lb.ft.^2
Locked Rotor Time (Hot)	12 seconds
Sound Pressure Level	71 dB(A)
Number of Starts	2 Cold/1 Hot
Max Ambient Temperature	40°C
Max Elevation	1000 m.a.s.l (3300 f.a.s.l)
Mounting	F2
Rotation	Bi-Directional
Standard	NEMA MG-1
Approvals	UL, CE

EFFICIENCY/POWER FACTOR		
LOAD	EFF	P. F.
100%	87.5 %	0.71
75%	88.4 %	0.66
50%	86.8 %	0.55

TORQUE			
FULL LOAD	LRT	BDT	PUT
23.1 lb.ft.	279 %	215 %	300 %

AMPERAGE INFORMATION			
	230V	460V	796V
Full Load Amps	14.90	7.50	4.30
Locked Rotor Amps	84.80	42.40	24.48
No Load Current	6.60	3.30	1.91

BEARING INFORMATION	
DE Bearing	6308 C3
ODE Bearing	6306 C3
Grease Type	NSK SN7
DE Regreasing Interval	-- Hours
ODE Regreasing Interval	-- Hours
Grease Quantity	--

ADDITIONAL DATA	
F2 Suitable	YES
Shaft Material	1045 Carbon Steel
Connection Diagram	230 / 460 V - 12 Lead Δ
Approximate Weight	158 lbs.
Area of Classification	Class 1 Division 2 Groups A,B,C,D T3B in accordance with NEC

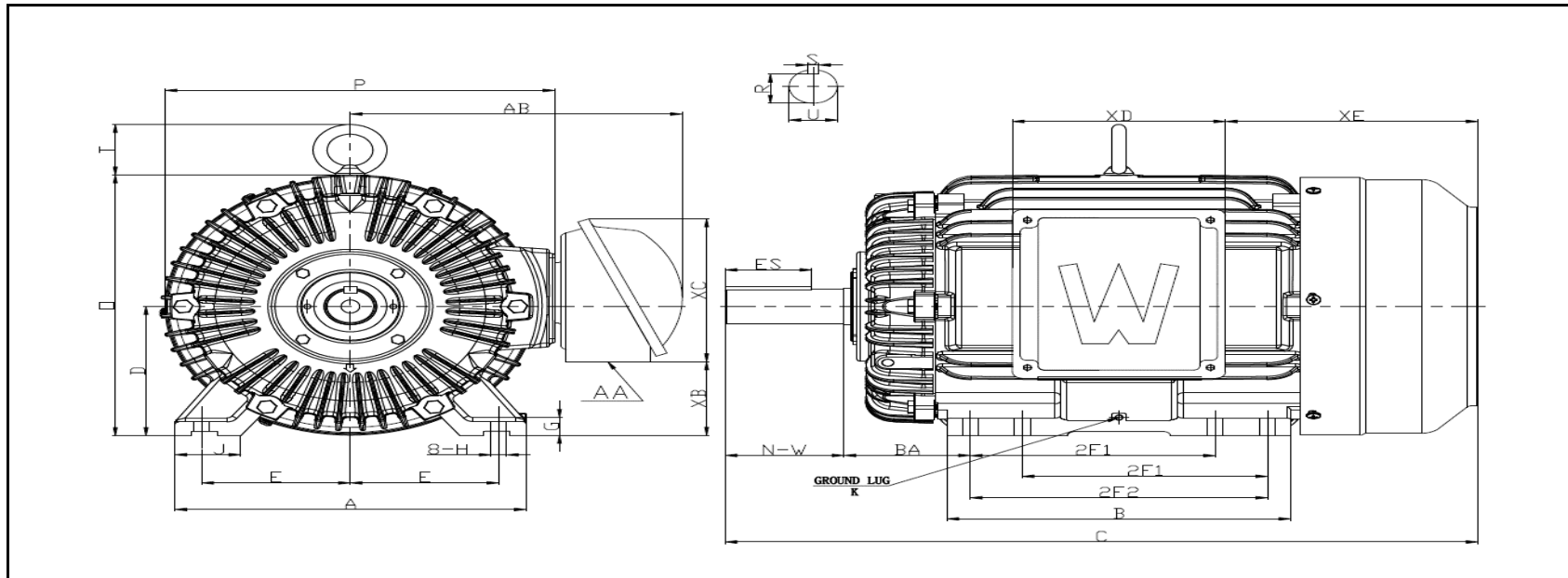
MOTOR DRAWING

Premium Efficiency Motor: **OW5-12-215T**

WorldWide Electric Corporation

1 (800) 808-2131

Worldwideelectric.net



DIMENSION - INCHES

MOUNTING					A	B	C	D	G	J	P	O	T	AB
E	2F1	2F2	H	BA										
4.25	5.5	7	0.43	3.5	9.88	8.405	20.27	5.25	0.708	1.91	10.8	10.53	1.72	9.8

SHAFT & KEY					
S	ES	R	N-W	AH	U
0.31	2.41	1.201	3.38	0	1.375

TERMINAL BOX				
AA	XB	XC	XD	XE
1-1/2	2.25	7.2	5.8	5.9

GROUND LUG
K
M5

PERFORMANCE CURVES

WorldWide Electric Corporation

1 (800) 808-2131

Worldwideelectric.net



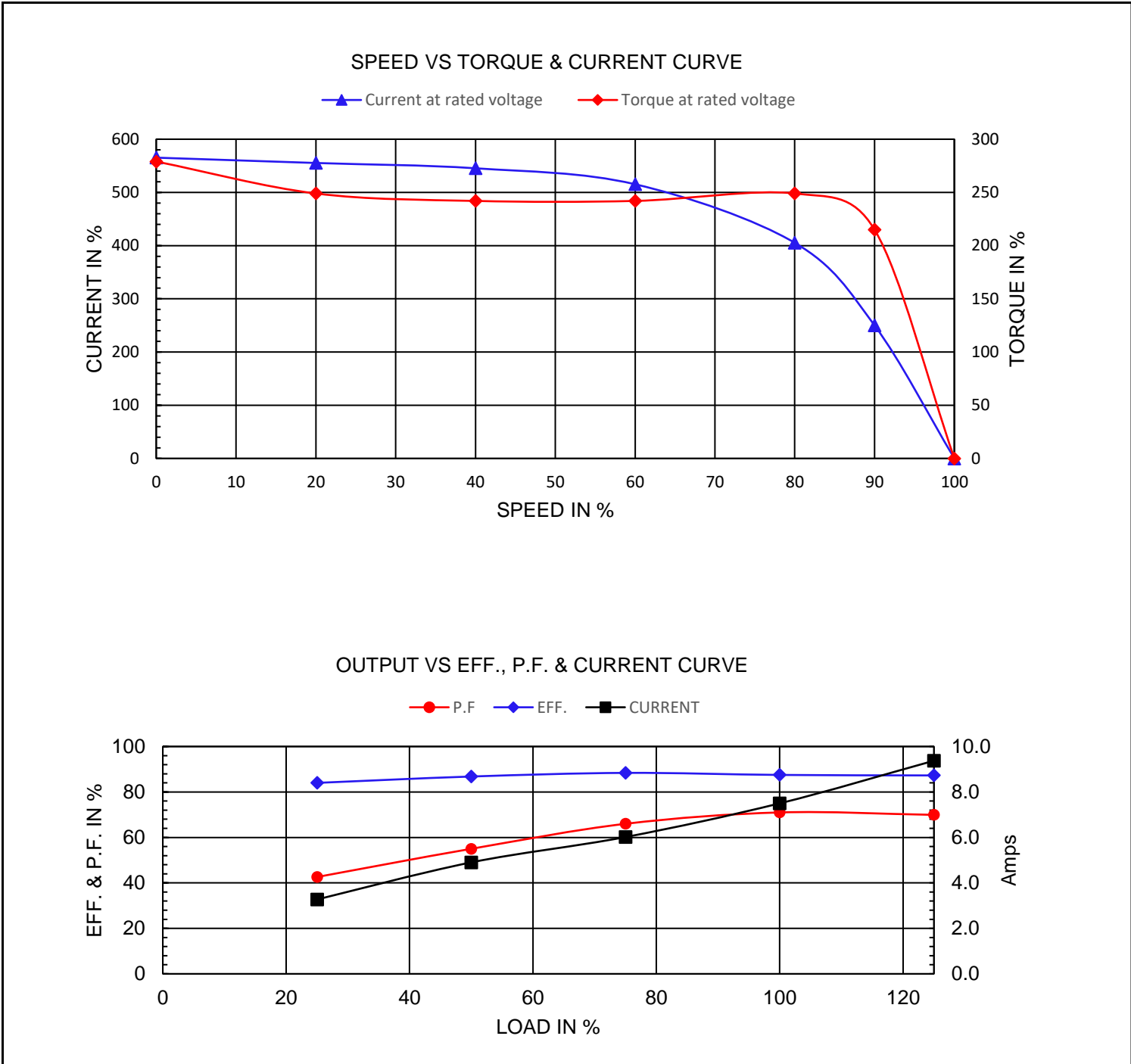
Premium Efficiency Motor:

OW5-12-215T

Document Generated: 8-Feb-2024
Document ID:

Customer:

Motor Type	PEWWE		FL Speed	1128		
Output Rating (HP)	5		LRT (%FLT)	279	460 volt FLA	7.50
Full Load Torque	23.1	lb.ft	BDT (%FLT)	215	230 volt FLA	14.90
Rotor Wk ²	0.7035	lb-ft ²				



NAMEPLATE / WIRING

Premium Efficiency Motor: **OW5-12-215T**

WorldWide Electric Corporation

1 (800) 808-2131

Worldwideelectric.net



Document Generated: 8-Feb-2024	Customer:
Document ID:	

SAMPLE NAMEPLATE DATA

OIL WELL PUMPING 3 PHASE INDUSTRIAL ELECTRIC MOTOR					
Model :	SN :		Code :	<p style="text-align: center;">230 V</p> <p style="text-align: center;">460 V</p> <p style="text-align: center;">796 V Y Connection For Starting Only</p>	Made in China
HP :	RPM :	IP 55	FR :		
Hz :	60	50	Ins : F		
Volts :	230/460/796	200/400/693	Design : D		
Amps :			WT :		
SF :	1.15	1.0	Duty : Cont		
Max Amb 40°C-CONT		LRT/FLT :	%	Date :	
WorldWide Electric Corporation					

Model	OW5-12-215T				
HP	5	RPM	1128	IP	IP55
Hz	60 Hz	Hz	50Hz	Frame	215T
Voltage	230/460/796	Volts	200/400/693	Encl	TEFC
230V FLA	14.90	200V FLA	15.80	Ins Cl	F
460V FLA	7.50	400V FLA	7.90	Design	D
796V FLA	4.30	693V FLA	7.90	Code	J
S.F.	1.15	S.F.	1.00	WT	158 lbs.
Max. Amb	40°C			Duty	S1 / Continuous
LRT/FLT	279%			Nom.Eff.	87.5%
				P.F.	0.71
				DE Brng	6308 C3
				ODE Brng	6306 C3