

DATA SHEET

Premium Efficiency Motor: **OW50-12-404T**

60 Hz

WorldWide Electric Corporation

1 (800) 808-2131

Worldwideelectric.net



Document Generated: 8-Feb-2024
Document ID:

Customer:

MOTOR INFORMATION	
HP	50
RPM	1200
Phase	3
Frequency	60 Hz
Voltage	230/460/796
Frame Size	404T
Enclosure	TEFC
Degree of Protection	IP55
Service Factor	1.15
Poles	6
Full Load Speed	1134
Insulation Class	F
Temp Rise	80°C
NEMA Code Letter	G
Duty Cycle	S1 / Continuous
Slip	5.50%
NEMA Design	D
Moment of Inertia	21.4431 lb.ft.^2
Locked Rotor Time (Hot)	12 seconds
Sound Pressure Level	86 dB(A)
Number of Starts	2 Cold/1 Hot
Max Ambient Temperature	40°C
Max Elevation	1000 m.a.s.l (3300 f.a.s.l)
Mounting	F2
Rotation	Bi-Directional
Standard	NEMA MG-1
Approvals	UL, CE

EFFICIENCY/POWER FACTOR		
LOAD	EFF	P. F.
100%	91.3 %	0.89
75%	91.4 %	0.87
50%	90.3 %	0.81

TORQUE			
FULL LOAD	LRT	BDT	PUT
232.9 lb.ft.	275 %	210 %	305 %

AMPERAGE INFORMATION			
	230V	460V	796V
Full Load Amps	115.60	57.80	33.40
Locked Rotor Amps	706.40	353.20	203.93
No Load Current	37.20	18.60	10.74

BEARING INFORMATION	
DE Bearing	NU316 C3
ODE Bearing	6313 C3
Grease Type	Mobil Polyrex EM
DE Regreasing Interval	2400 Hours
ODE Regreasing Interval	2400 Hours
Grease Quantity	33g/23g

ADDITIONAL DATA	
F2 Suitable	YES
Shaft Material	1045 Carbon Steel
Connection Diagram	230 / 460 V - 12 Lead Δ
Approximate Weight	957 lbs.
Area of Classification	Class 1 Division 2 Groups A,B,C,D T3B in accordance with NEC

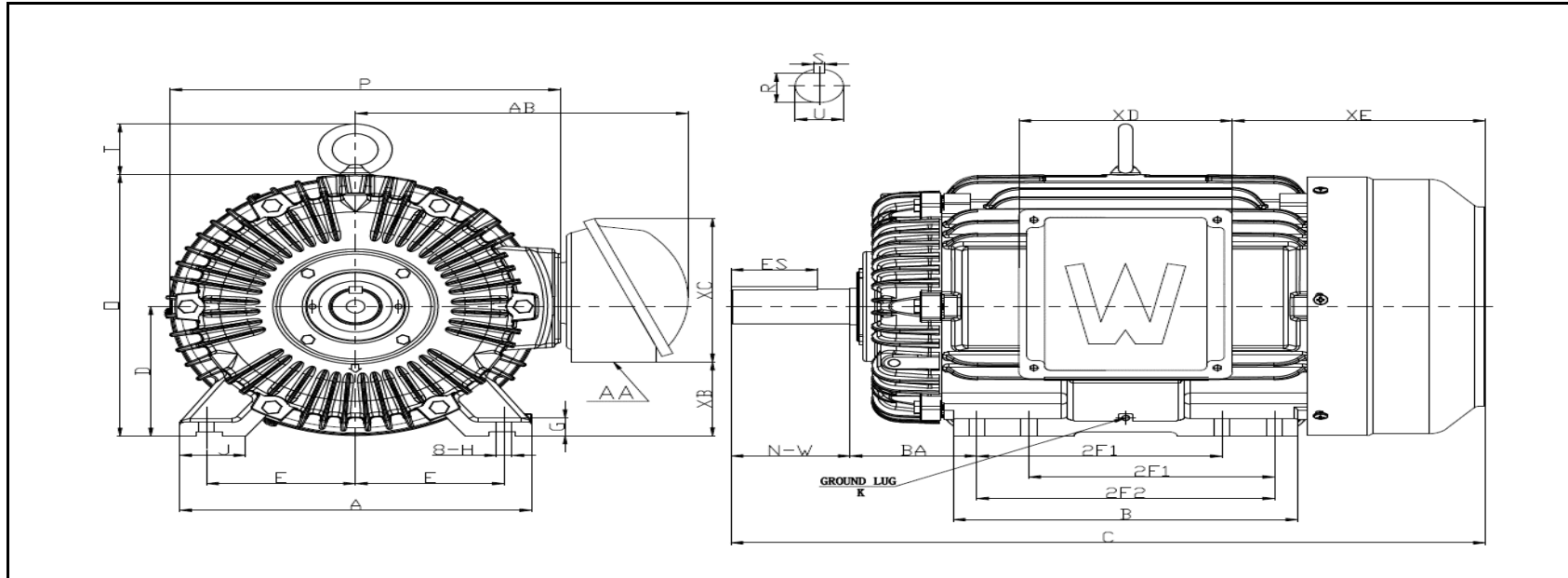
MOTOR DRAWING

Premium Efficiency Motor: **OW50-12-404T**

WorldWide Electric Corporation

1 (800) 808-2131

Worldwideelectric.net



DIMENSION - INCHES

MOUNTING					A	B	C	D	G	J	P	O	T	AB
E	2F1	2F2	H	BA										
8	12.25	13.75	0.81	6.62	18.89	17.32	40.75	10	1.181	3.937	20.27	20.67	2.81	18.215

SHAFT & KEY					
S	ES	R	N-W	AH	U
0.75	5.65	2.45	7.25	N/A	2.875

TERMINAL BOX				
AA	XB	XC	XD	XE
3	5.29	11.27	9.17	12.32

GROUND LUG
K
M12

PERFORMANCE CURVES

WorldWide Electric Corporation

1 (800) 808-2131

Worldwideelectric.net



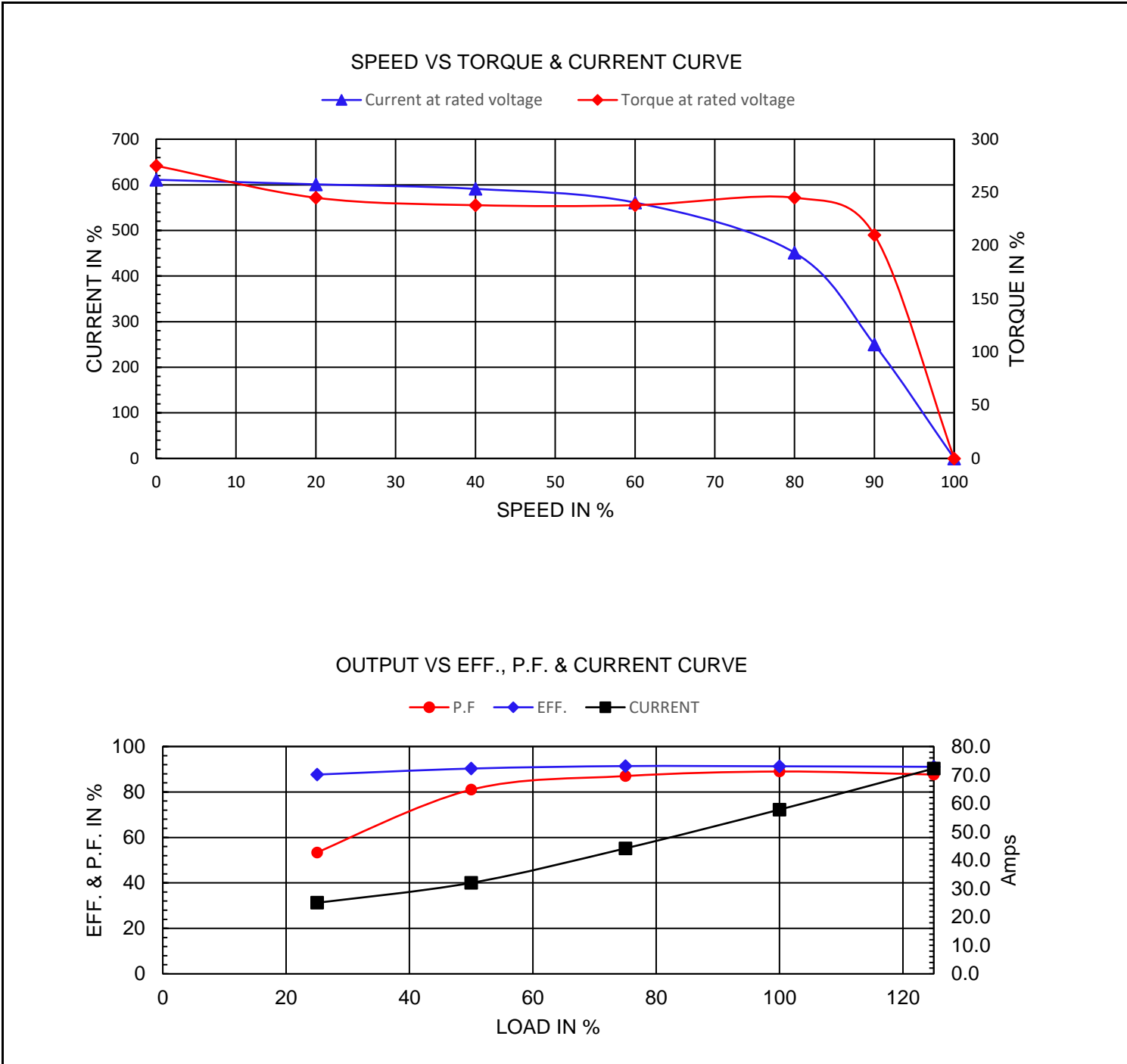
Premium Efficiency Motor:

OW50-12-404T

Document Generated: 8-Feb-2024
 Document ID:

Customer:

Motor Type	PEWWE		FL Speed	1134		
Output Rating (HP)	50		LRT (%FLT)	275	460 volt FLA	57.80
Full Load Torque	232.9	lb.ft	BDT (%FLT)	210	230 volt FLA	115.60
Rotor Wk ²	21.4431	lb-ft ²				



NAMEPLATE / WIRING

Premium Efficiency Motor: **OW50-12-404T**

WorldWide Electric Corporation

1 (800) 808-2131

Worldwideelectric.net



Document Generated: 8-Feb-2024	Customer:
Document ID:	

SAMPLE NAMEPLATE DATA

OIL WELL PUMPING 3 PHASE INDUSTRIAL ELECTRIC MOTOR						
Model :	SN :		Code :	<p style="text-align: center;">230 V</p> <p style="text-align: center;">460 V</p> <p style="text-align: center;">796 V Y Connection For Starting Only</p>	Made in China	
HP :	RPM :	IP 55	FR :			End : TEFC
Hz :	60	50	Ins : F			Eff :
Volts :	230/460/796	200/400/693	Design : D			P.F. :
Amps :			WT :			DE BRG :
SF :	1.15	1.0	Duty : Cont			ODE BRG :
Max Amb 40°C-CONT			LRT/FLT : %	Date :		

Model	OW50-12-404T				
HP	50	RPM	1134	IP	IP55
Hz	60 Hz	Hz	50Hz	Frame	404T
Voltage	230/460/796	Volts	200/400/693	Encl	TEFC
230V FLA	115.60	200V FLA	135.40	Ins Cl	F
460V FLA	57.80	400V FLA	67.70	Design	D
796V FLA	33.40	693V FLA	67.70	Code	G
S.F.	1.15	S.F.	1.00	WT	957 lbs.
Max. Amb	40°C			Duty	S1 / Continuous
LRT/FLT	275%			Nom.Eff.	91.3%
				P.F.	0.89
				DE Brng	NU316 C3
				ODE Brng	6313 C3