

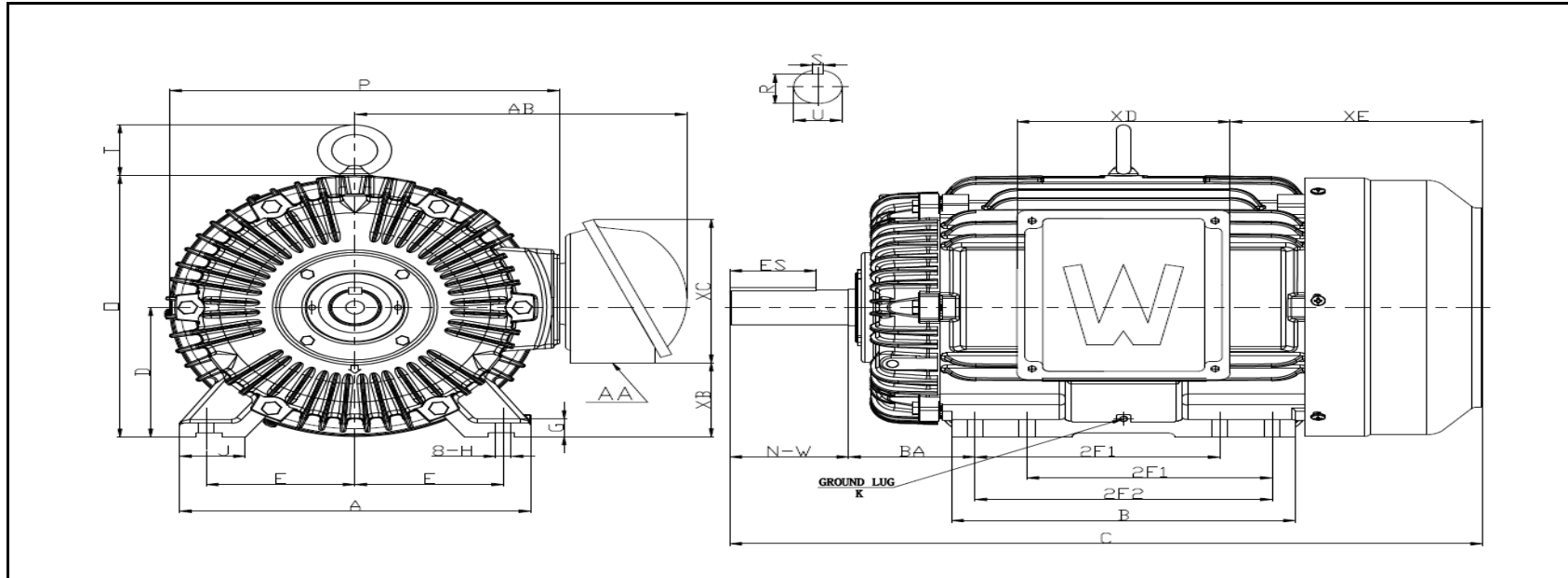
MOTOR DRAWING

Premium Efficiency Motor: **OW40-9-404T**

WorldWide Electric Corporation

1 (800) 808-2131

Worldwideelectric.net



DIMENSION - INCHES

MOUNTING					A	B	C	D	G	J	P	O	T	AB
E	2F1	2F2	H	BA										
8	12.25	13.75	0.81	6.62	18.89	17.32	40.75	10	1.181	3.937	20.27	20.67	2.81	18.215

SHAFT & KEY					
S	ES	R	N-W	AH	U
0.75	5.65	2.45	7.25	N/A	2.875

TERMINAL BOX				
AA	XB	XC	XD	XE
3	5.29	11.27	9.17	12.32

GROUND LUG
K
M12