

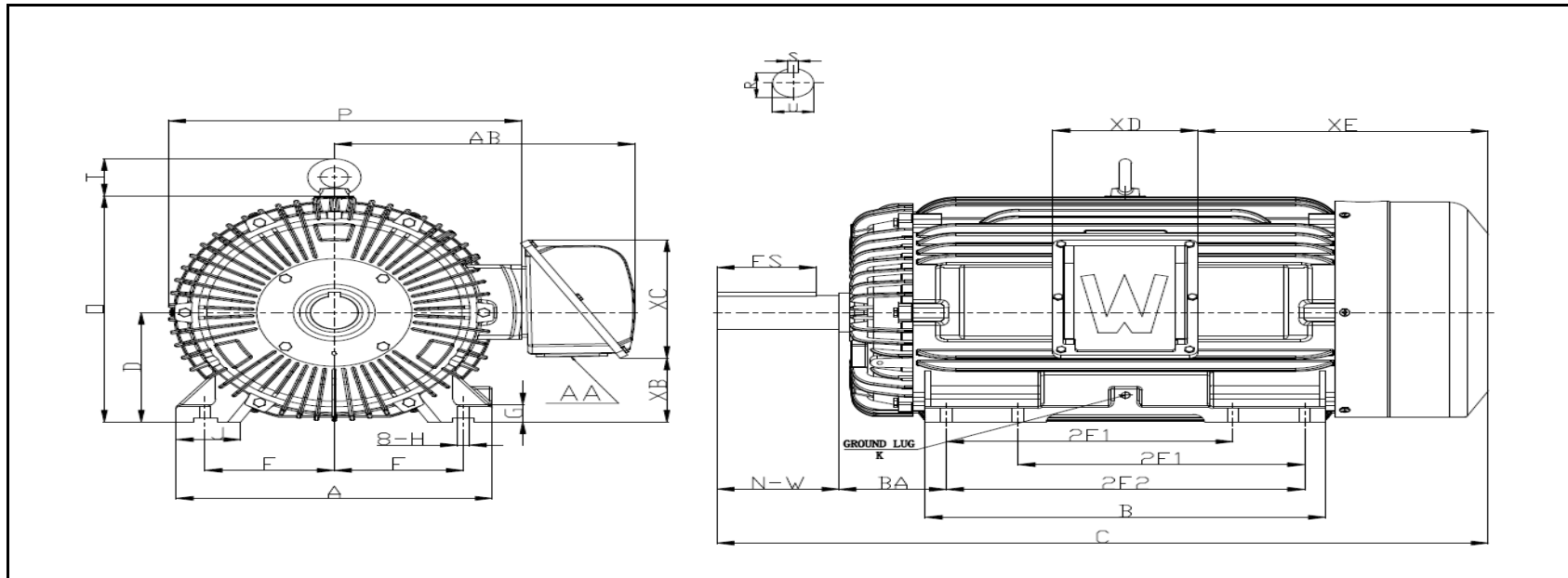
MOTOR DRAWING

Premium Efficiency Motor: **OW3-9-215T**

WorldWide Electric Corporation

1 (800) 808-2131

Worldwideelectric.net



DIMENSION - INCHES

MOUNTING					A	B	C	D	G	J	P	O	T	AB
E	2F1	2F2	H	BA										
4.25	5.5	7	0.43	3.5	9.88	8.405	20.27	5.25	0.708	1.91	10.8	10.53	1.72	9.8

SHAFT & KEY					
S	ES	R	N-W	AH	U
0.31	2.41	1.201	3.38	0	1.375

TERMINAL BOX				
AA	XB	XC	XD	XE
1-1/2	2.25	7.2	5.8	5.9

GROUND LUG
K
M5