

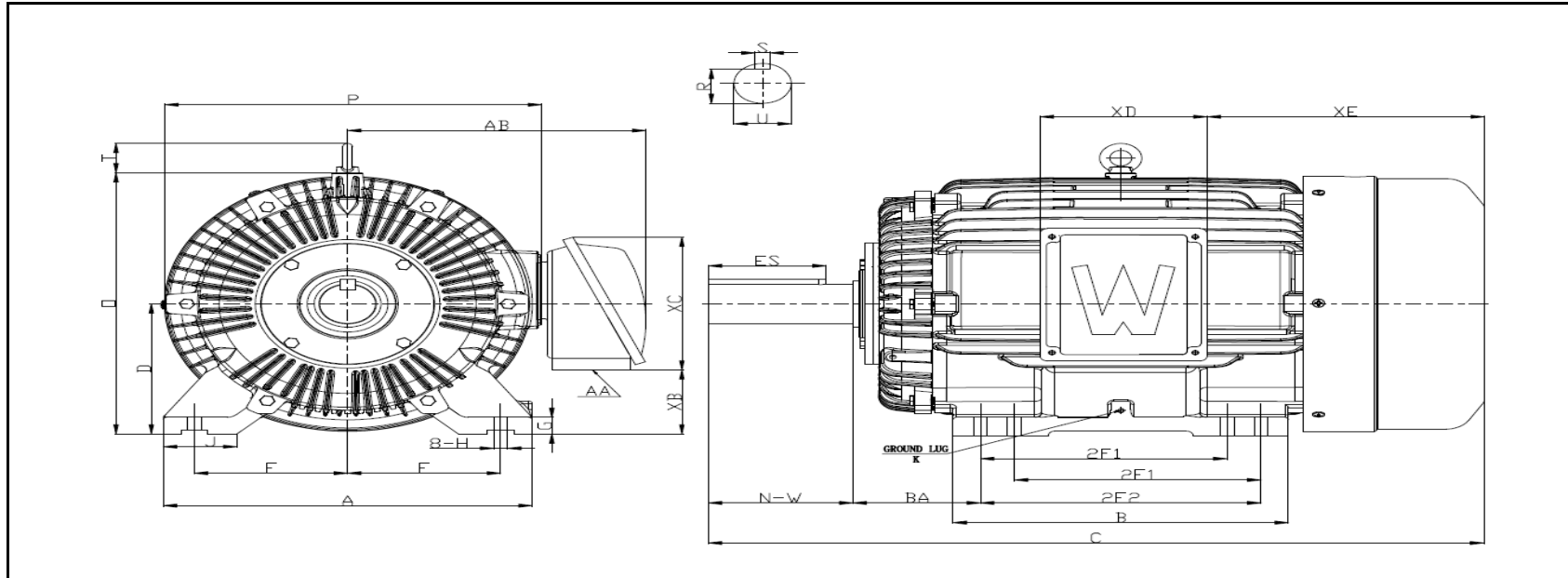
MOTOR DRAWING

Premium Efficiency Motor: **OW60-9-444T**

WorldWide Electric Corporation

1 (800) 808-2131

Worldwideelectric.net



DIMENSION - INCHES

| MOUNTING | | | | | A | B | C | D | G | J | P | O | T | AB |
|----------|------|------|------|-----|-------|-------|-------|----|-------|------|-------|-------|------|---------|
| E | 2F1 | 2F2 | H | BA | | | | | | | | | | |
| 9 | 14.5 | 16.5 | 0.81 | 7.5 | 21.69 | 19.29 | 46.65 | 11 | 1.417 | 4.33 | 22.05 | 21.65 | 2.81 | 19.0985 |

| SHAFT & KEY | | | | | |
|-------------|------|------|-----|-----|-------|
| S | ES | R | N-W | AH | U |
| 0.875 | 6.91 | 2.88 | 8.5 | N/A | 3.375 |

| TERMINAL BOX | | | | |
|--------------|------|-------|------|-------|
| AA | XB | XC | XD | XE |
| 3 | 4.29 | 11.27 | 9.17 | 15.47 |

| GROUND LUG |
|------------|
| K |
| M8 |