

# DATA SHEET

Premium Efficiency Motor: **NATE2-18-56**

**60 Hz**

WorldWide Electric Corporation

1 (800) 808-2131

Worldwideelectric.net



Document Generated: 24-Feb-2023  
Document ID:

Customer:

## MOTOR INFORMATION

HP	2
RPM	1800
Phase	3
Frequency	60 Hz
Voltage	230/460
Frame Size	56H
Enclosure	TEFC
Degree of Protection	IP43
Service Factor	1.15
Poles	4
Full Load Speed	1760
Insulation Class	F
Temp Rise	80°C
NEMA Code Letter	J
Duty Cycle	S1 / Continuous
Slip	0.02%
NEMA Design	B
Moment of Inertia	0.1579 lb.ft.^2
Sound Pressure Level	68 dB(A)
Max Ambient Temperature	40°C
Max Elevation	1000 m.a.s.l (3300 f.a.s.l)
Mounting	F1
Base	Rigid
Rotation	Bi-Directional
Standard	NEMA MG-1
Approvals	CSA, CE

## EFFICIENCY/POWER FACTOR

LOAD	EFF	P. F.
100%	86.8 %	73.8
75%	87.0 %	64.8
50%	85.1 %	51.3

## TORQUE

FULL LOAD	LRT	BDT
6.01 lb.ft.	450 %	455 %

## AMPERAGE INFORMATION

	230V	460V
Full Load Amps	6.15	2.96
Locked Rotor Amps	60.78	30.39
No Load Current	3.62	1.81
Usable at 208V	6	

## BEARING INFORMATION

DE Bearing	6203 2RS
ODE Bearing	6203 2RS

## ADDITIONAL DATA

F2 Suitable	No
Shaft Material	1045 Carbon Steel
Connection Diagram	230 / 460 V - 9 Lead Y
Approximate Weight	48.8 lbs.

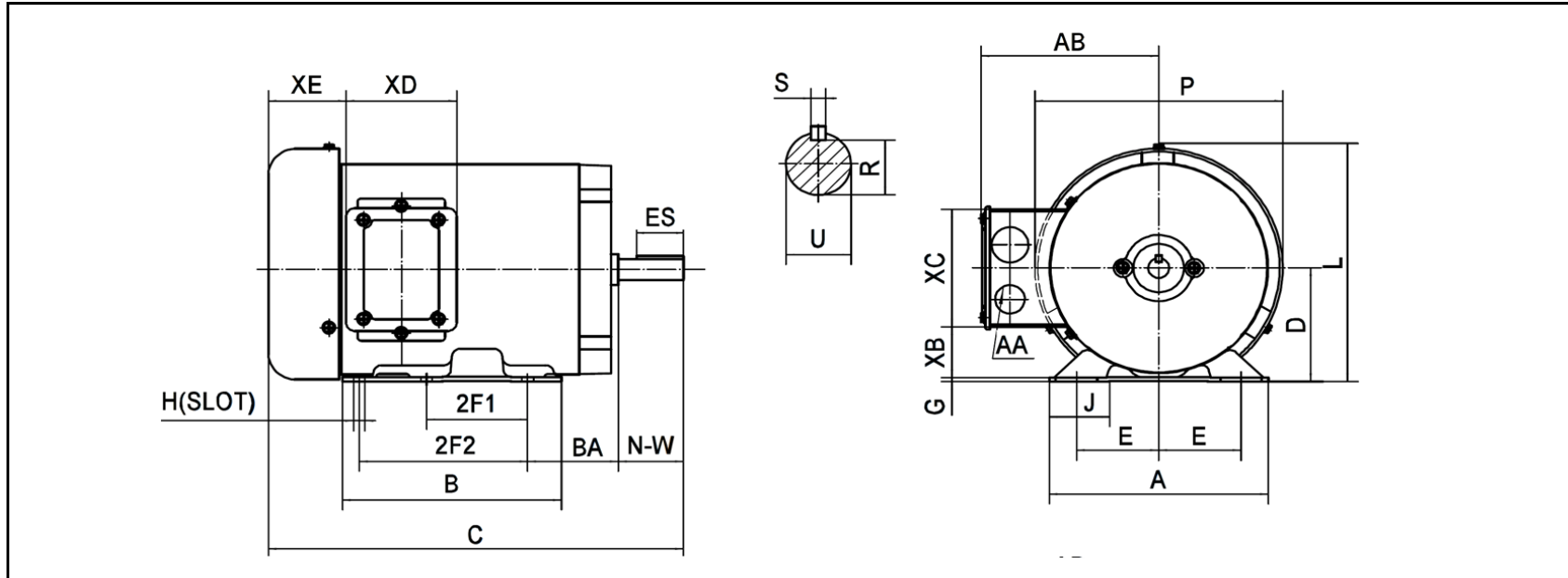
# MOTOR DRAWING

Premium Efficiency Motor: **NATE2-18-56**

WorldWide Electric Corporation

1 (800) 808-2131

Worldwideelectric.net



## DIMENSION - INCHES

MOUNTING					A	B	C	D	G	J	L	P	AB
E	2F1	2F2	H	BA									
2.44	3	5	0.34	2.75	6.54	6.54	13.9	3.5	0.1	1.65	7.4	7.3	5.2

SHAFT & KEY				
S	ES	R	N-W	U
0.188	1.41	0.517	1.88	0.625

TERMINAL BOX				
AA	XB	XC	XD	XE
3-0.88/2-1.109	1.65	3.7	3.2	2.15

# PERFORMANCE CURVES

WorldWide Electric Corporation

1 (800) 808-2131

Worldwideelectric.net



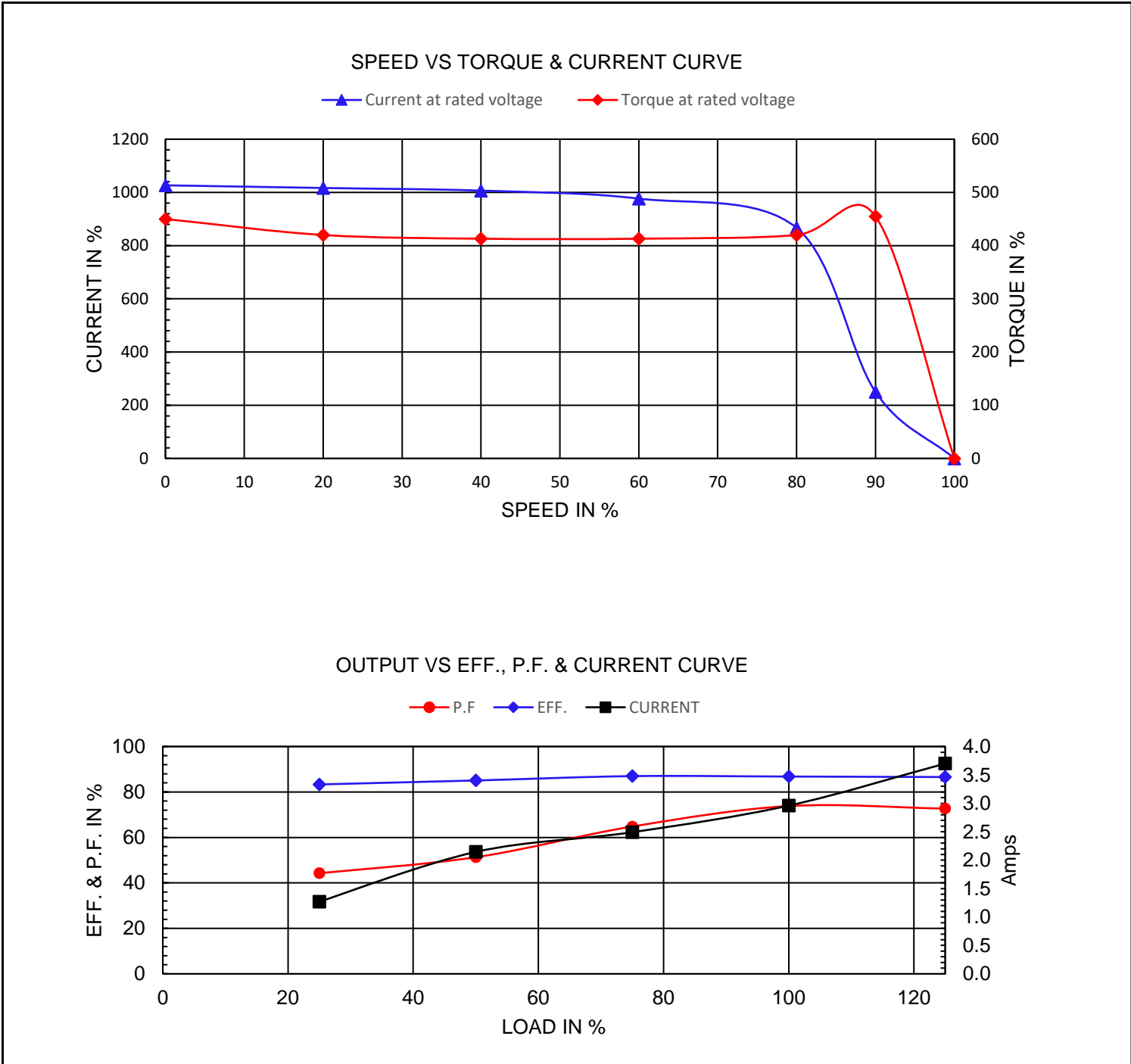
Premium Efficiency Motor:

**NATE2-18-56**

Document Generated: 24-Feb-2023  
 Document ID:

Customer:

Motor Type					
Output Rating (HP)	2		FL Speed	1760	
Full Load Torque	6.01 lb.ft		LRT (%FLT)	450	460 volt FLA 2.96
Rotor Wk <sup>2</sup>	0.1579 lb-ft <sup>2</sup>		BDT (%FLT)	455	230 volt FLA 6.15



# NAMEPLATE / WIRING

Premium Efficiency Motor: **NATE2-18-56**

WorldWide Electric Corporation

1 (800) 808-2131





Worldwideelectric.net



Document Generated: 24-Feb-2023  
Document ID:

Customer:

## SAMPLE NAMEPLATE DATA

		<b>THREE PHASE INDUCTION MOTOR</b>							
				C US Energy Verified 256950		CC315B			
<b>MODEL</b>		<b>FRAME</b>		<b>LOW VOLTAGE</b>			<b>HIGH VOLTAGE</b>		
Hz		ENCL. TEFC		BLUE (T1) — LINE1			BLUE (T1) — LINE1		
HP		PH 3		BROWN (T7) — LINE1			WHITE (T2) — LINE2		
RPM		DUTY CONT		WHITE (T2) — LINE2			ORANGE (T3) — LINE3		
VOLTS		CODE		RED (T8) — LINE2			YELLOW (T4) — INS		
AMPS		INS. F		ORANGE (T3) — LINE3			BROWN (T7) — INS		
		DES.		YEL/BLA (T9) — LINE3			BLACK (T5) — INS		
S. F.		LB/WT		YELLOW (T4) — INS			RED (T8) — INS		
				BLACK (T5) — INS			GRAY (T6) — INS		
				GRAY (T6) — INS			YEL/BLA (T9) — INS		
NOM. EFF (60Hz)		DE/ODE BRG.		ACCEPTABLE FOR FIELD WIRING THERMALLY PROTECTED : NONE					
MAX. AMB. 40°C		Date Code XX/XXXX		MADE IN CHINA					
SERIAL NO. XXXXXXXXXX									
WorldWide Electric Corporation									

<b>Model</b>	NATE2-18-56	<b>Frame</b>	56H
<b>Hz</b>	60 Hz      50Hz	<b>Encl</b>	TEFC
<b>HP</b>	2              1.5	<b>PH</b>	3
<b>RPM</b>	1760          1465	<b>DUTY</b>	CONT
<b>Voltage</b>	230/460      190/380	<b>Code</b>	J
<b>Amps</b>	6.15/2.96    5.56/2.78	<b>Ins Cl</b>	F
<b>IP</b>	IP43	<b>Design</b>	B
<b>S.F.</b>	1.15          1.15	<b>LB/WT</b>	48.8 lbs.
<b>Nom.Eff.</b>	86.8%	<b>DE Brng</b>	6203 2RS
		<b>ODE Brng</b>	6203 2RS