

DATA SHEET

Premium Efficiency Motor: **NATE1.5-18-56**

60 Hz

WorldWide Electric Corporation

1 (800) 808-2131

Worldwideelectric.net



Document Generated: 24-Feb-2023

Document ID:

Customer:

MOTOR INFORMATION

HP	1-1/2
RPM	1800
Phase	3
Frequency	60 Hz
Voltage	230/460
Frame Size	56H
Enclosure	TEFC
Degree of Protection	IP43
Service Factor	1.15
Poles	4
Full Load Speed	1760
Insulation Class	F
Temp Rise	80°C
NEMA Code Letter	J
Duty Cycle	S1 / Continuous
Slip	0.02%
NEMA Design	B
Moment of Inertia	0.1352 lb.ft.^2
Sound Pressure Level	68 dB(A)
Max Ambient Temperature	40°C
Max Elevation	1000 m.a.s.l (3300 f.a.s.l)
Mounting	F1
Base	Rigid
Rotation	Bi-Directional
Standard	NEMA MG-1
Approvals	CSA, CE

EFFICIENCY/POWER FACTOR

LOAD	EFF	P. F.
100%	86.8 %	71.9
75%	86.7 %	62.8
50%	84.3 %	49.5

TORQUE

FULL LOAD	LRT	BDT
4.4 lb.ft.	490 %	495 %

AMPERAGE INFORMATION

	230V	460V
Full Load Amps	4.73	2.26
Locked Rotor Amps	47.22	23.61
No Load Current	2.8	1.4
Usable at 208V	5	

BEARING INFORMATION

DE Bearing	6203 2RS
ODE Bearing	6203 2RS

ADDITIONAL DATA

F2 Suitable	No
Shaft Material	1045 Carbon Steel
Connection Diagram	230 / 460 V - 9 Lead Y
Approximate Weight	42.6 lbs.

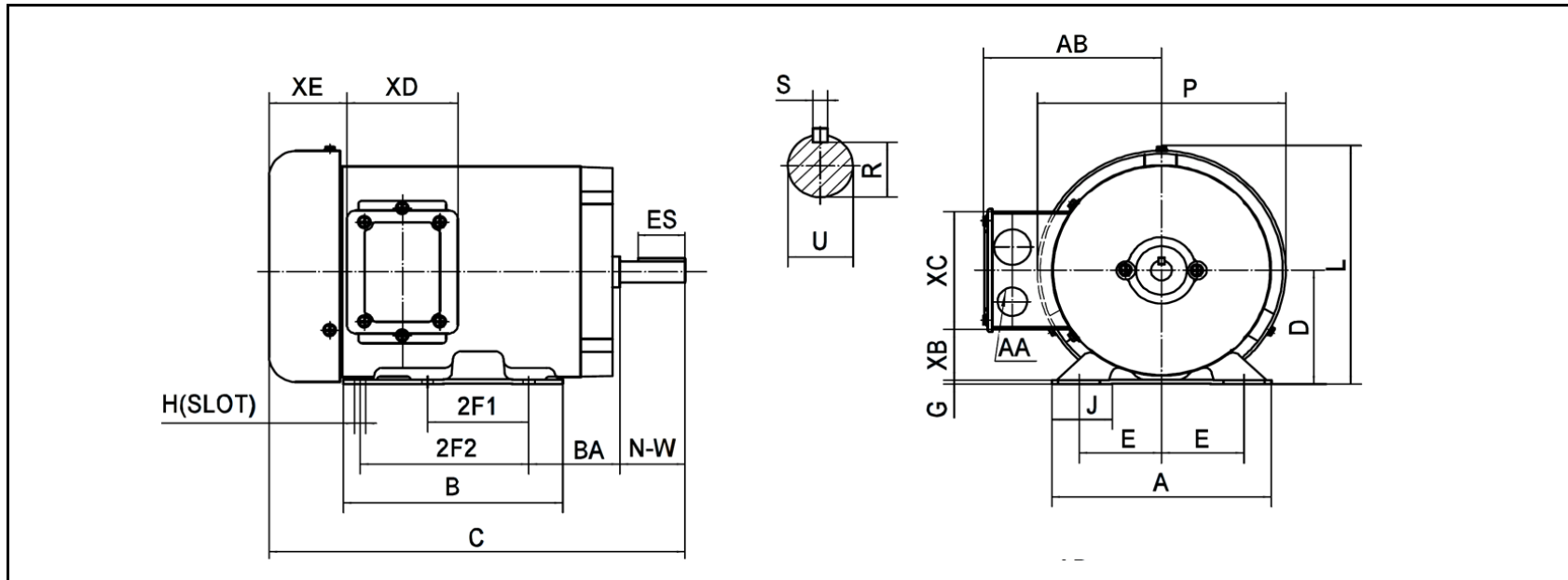
MOTOR DRAWING

Premium Efficiency Motor: **NATE1.5-18-56**

WorldWide Electric Corporation

1 (800) 808-2131

Worldwideelectric.net



DIMENSION - INCHES

MOUNTING					A	B	C	D	G	J	L	P	AB
E	2F1	2F2	H	BA									
2.44	3	5	0.34	2.75	6.54	6.54	13.4	3.5	0.1	1.65	7.4	7.3	5.2

SHAFT & KEY				
S	ES	R	N-W	U
0.188	1.41	0.517	1.88	0.625

TERMINAL BOX				
AA	XB	XC	XD	XE
3-0.88/2-1.109	1.65	3.7	3.2	2.15

PERFORMANCE CURVES

WorldWide Electric Corporation

1 (800) 808-2131

Worldwideelectric.net



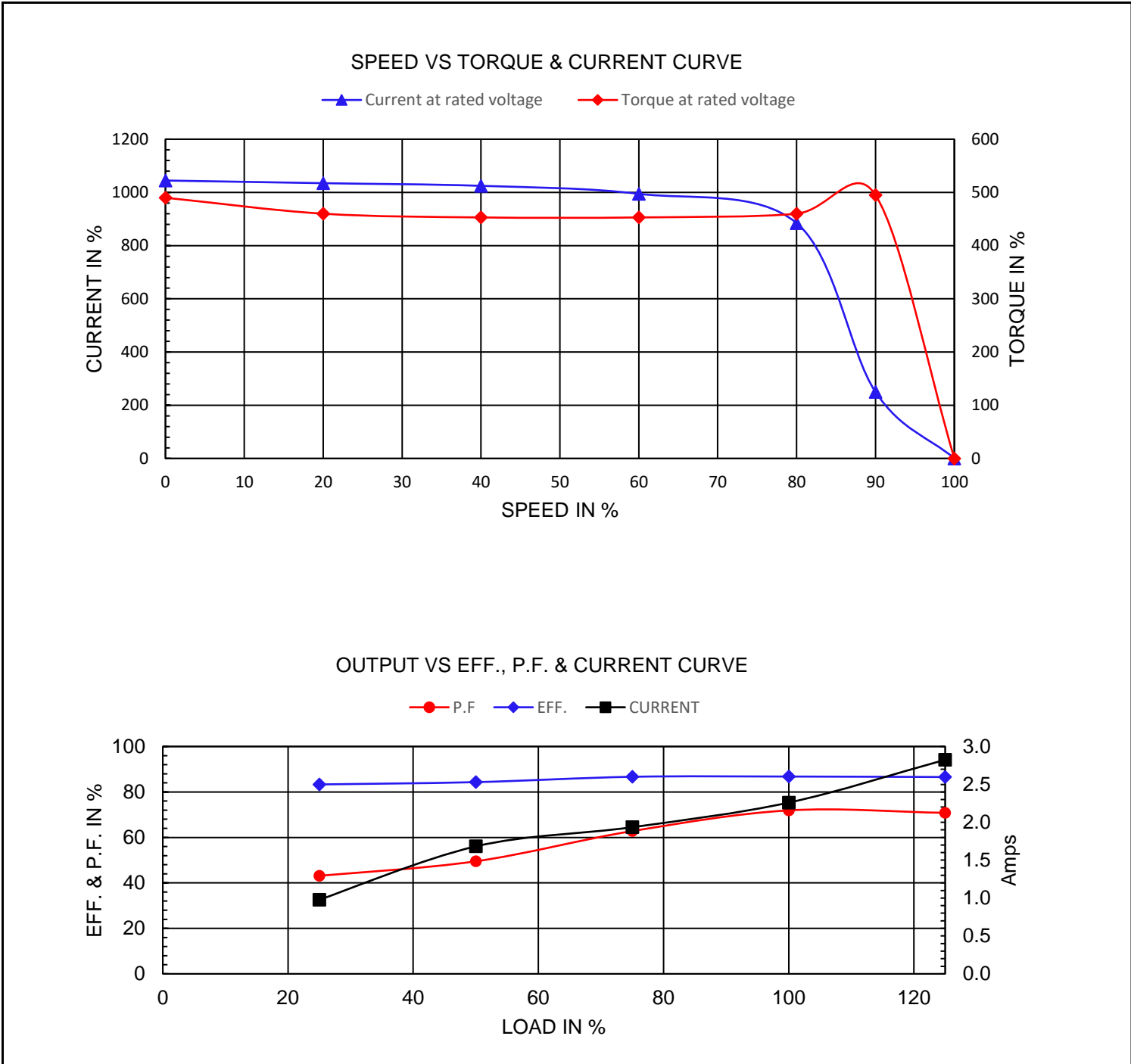
Premium Efficiency Motor:

NATE1.5-18-56

Document Generated: 24-Feb-2023
 Document ID:

Customer:

Motor Type					
Output Rating (HP)	1-1/2		FL Speed	1760	
Full Load Torque	4.4 lb.ft		LRT (%FLT)	490	460 volt FLA 2.26
Rotor Wk ²	0.1352 lb-ft ²		BDT (%FLT)	495	230 volt FLA 4.73



NAMEPLATE / WIRING

WorldWide Electric Corporation

1 (800) 808-2131

Worldwideelectric.net







Premium Efficiency Motor: **NATE1.5-18-56**

Document Generated: 24-Feb-2023
Document ID:

Customer:

SAMPLE NAMEPLATE DATA

		THREE PHASE INDUCTION MOTOR							
				C US Energy Verified 256950		CC315B			
MODEL		FRAME		LOW VOLTAGE			HIGH VOLTAGE		
Hz		ENCL. TEFC		BLUE (T1) — LINE1			BLUE (T1) — LINE1		
HP		PH 3		BROWN (T7) — LINE1			WHITE (T2) — LINE2		
RPM		DUTY CONT		WHITE (T2) — LINE2			ORANGE (T3) — LINE3		
VOLTS		CODE		RED (T8) — LINE2			YELLOW (T4) — INS		
AMPS		INS. F		ORANGE (T3) — LINE3			BROWN (T7) — INS		
		DES.		YEL/BLA (T9) — LINE3			BLACK (T5) — INS		
S. F.		LB/WT		YELLOW (T4) — INS			RED (T8) — INS		
				BLACK (T5) — INS			GRAY (T6) — INS		
				GRAY (T6) — INS			YEL/BLA (T9) — INS		
NOM. EFF (60Hz)		DE/ODE BRG.		ACCEPTABLE FOR FIELD WIRING THERMALLY PROTECTED : NONE					
MAX. AMB. 40°C		Date Code XX/XXXX		MADE IN CHINA					
SERIAL NO. XXXXXXXXXX		WorldWide Electric Corporation							

Model	NATE1.5-18-56	Frame	56H
Hz	60 Hz 50Hz	Encl	TEFC
HP	1-1/2 1	PH	3
RPM	1760 1465	DUTY	CONT
Voltage	230/460 190/380	Code	J
Amps	4.73/2.26 4.1/2.05	Ins Cl	F
IP	IP43	Design	B
S.F.	1.15 1.15	LB/WT	42.6 lbs.
Nom.Eff.	86.8%	DE Brng	6203 2RS
		ODE Brng	6203 2RS