

DATA SHEET

Premium Efficiency Motor: **FD1-18-56,**

60 Hz

WorldWide Electric Corporation

1 (800) 808-2131

Worldwideelectric.net



Document Generated: 25-Sep-2024
Document ID:

Customer:

MOTOR INFORMATION	
HP	1
RPM	1800
Phase	1
Frequency	60 Hz
Voltage	230
Frame Size	56
Enclosure	TEFC
Degree of Protection	IP55
Service Factor	1.15
Poles	4
Full Load Speed	1750
Insulation Class	F
Temp Rise	80°C
NEMA Code Letter	K
Duty Cycle	S1 / Continuous
Slip	2.77%
Max Ambient Temperature	40°C
Max Elevation	1000 m.a.s.l (3300 f.a.s.l)
Mounting	F1
Rotation	Bi-Directional
Mounting Type	Rigid Base
Standard	NEMA MG-1
Approvals	UL, CE

EFFICIENCY/POWER FACTOR		
LOAD	EFF	P. F.
100%	80.3 %	94.4
75%	78.0 %	93.20
50%	73.8 %	87.8

TORQUE		
FULL LOAD	LRT	BDT
3.02 lb.ft.	339 %	228 %

AMPERAGE INFORMATION	
	230V
Full Load Amps	4.3A
Locked Rotor Amps	38.42A
No Load Current	1.44A
Usable at 208V	4.75A

BEARING INFORMATION	
DE Bearing	6203ZZ C3
ODE Bearing	6203ZZ C3
Grease Type	NSK SN7

CAPACITOR INFORMATION	
Start Capacitor	(1)500-600uF/150V
Run Capacitor	(1)60uF/250V

ADDITIONAL DATA	
F2 Suitable	No
Shaft Material	1045 Carbon Steel
Connection Diagram	230V - 4 Lead
Approximate Weight	37.5 lbs.

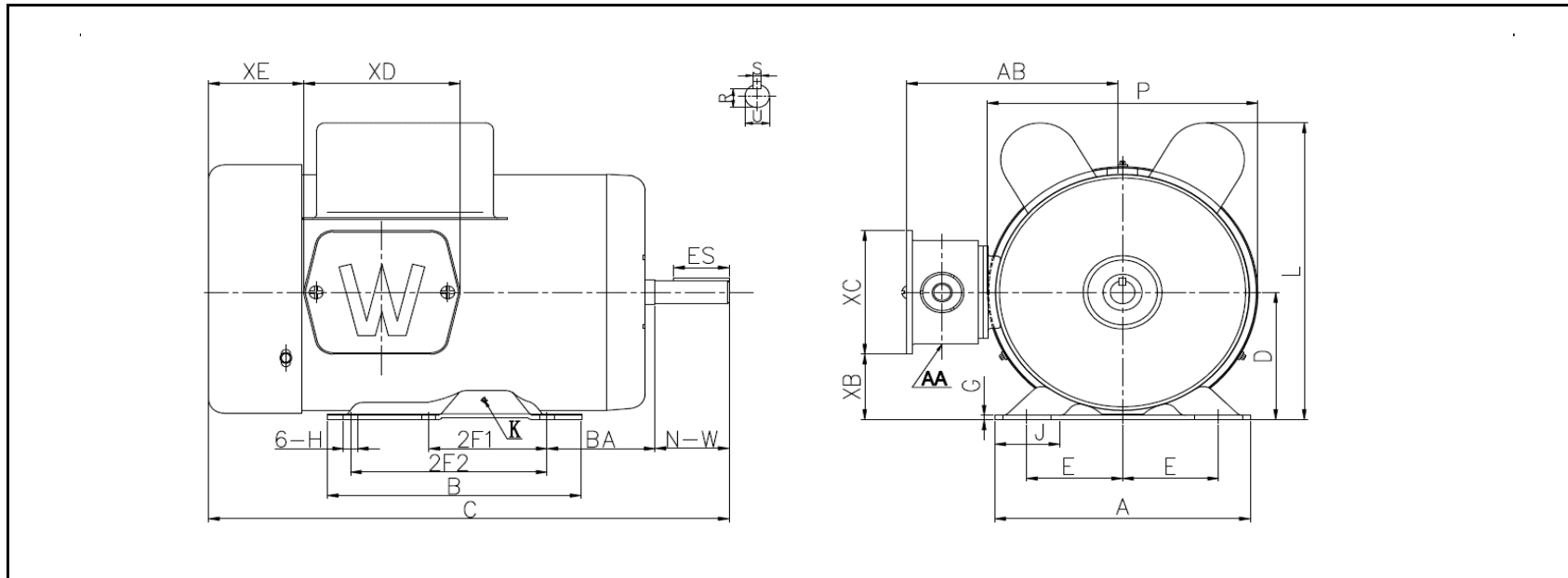
MOTOR DRAWING

Premium Efficiency Motor: **FD1-18-56**

WorldWide Electric Corporation

1 (800) 808-2131

Worldwideelectric.net



DIMENSION - INCHES

MOUNTING					A	B	C	D	G	L	P	AB
E	2F1	2F2	H	BA								
2.75	3	5	0.34	2.75	6.5	6.5	13.8	3.5	0.12	8.3	6.8	6.2

KETSET	KEY		SHAFT		TERMINAL BOX					K	J	
	R	ES	S	U	NW	XB	XC	XD	XE			AA
0.771	1.41	0.188	0.875	2.25	1.56	3.96	4.55	1.66	3-0.88/2-1.109		M5	1.65

NAMEPLATE / WIRING

WorldWide Electric Corporation

1 (800) 808-2131

Worldwideelectric.net






Premium Efficiency Motor: **FD1-18-56**

Document Generated: 25-Sep-2024
Document ID:

Customer:

SAMPLE NAMEPLATE DATA

		HIGH EFFICIENCY-HIGH TORQUE SINGLE PHASE FARM DUTY MOTOR			
HP :	Encl : TEFC	IP 55			
Hz :	60	FR :	Eff :		
Volts :	230	Ins : F	P.F. :		
Amps :		CODE :	DE BRG :		
RPM :		WT : LBS	ODE BRG :		
SF :	1.15	Max Amb 40°C - CONT	Date :		
WorldWide Electric Corporation					

Model	FD1-18-56				
HP	1	Encl	TEFC	IP	IP55
Hz	60 Hz	Frame	56	Nom.Eff.	80.3%
Voltage	230	Ins Cl	F	P.F.	94.4
Amps	4.3A	Code	K	DE Brng	6203ZZ C3
RPM	1750.2	WT:	37.5 lbs.	ODE Brng	6203ZZ C3
S.F.	1.15				