

DATA SHEET

Premium Efficiency Motor: **FD7.5-18-215TZ,**

60 Hz

WorldWide Electric Corporation

1 (800) 808-2131

Worldwideelectric.net



Document Generated: 25-Sep-2024
Document ID:

Customer:

| MOTOR INFORMATION | |
|-------------------------|-----------------------------|
| HP | 7.5 |
| RPM | 1800 |
| Phase | 1 |
| Frequency | 60 Hz |
| Voltage | 230 |
| Frame Size | 215TZ |
| Enclosure | TEFC |
| Degree of Protection | IP55 |
| Service Factor | 1.15 |
| Poles | 4 |
| Full Load Speed | 1767 |
| Insulation Class | F |
| Temp Rise | 80°C |
| NEMA Code Letter | J |
| Duty Cycle | S1 / Continuous |
| Slip | 1.86% |
| Max Ambient Temperature | 40°C |
| Max Elevation | 1000 m.a.s.l (3300 f.a.s.l) |
| Mounting | F1 |
| Rotation | Bi-Directional |
| Mounting Type | Rigid Base |
| Standard | NEMA MG-1 |
| Approvals | UL, CE |

| EFFICIENCY/POWER FACTOR | | |
|-------------------------|--------|-------|
| LOAD | EFF | P. F. |
| 100% | 86.7 % | 96.1 |
| 75% | 85.4 % | 95.00 |
| 50% | 80.2 % | 90.6 |

| TORQUE | | |
|--------------|-------|-------|
| FULL LOAD | LRT | BDT |
| 21.94 lb.ft. | 378 % | 231 % |

| AMPERAGE INFORMATION | |
|----------------------|--------|
| | 230V |
| Full Load Amps | 28.71A |
| Locked Rotor Amps | 238.5A |
| No Load Current | 8.19A |
| Usable at 208V | 31.75A |

| BEARING INFORMATION | |
|---------------------|-----------|
| DE Bearing | 6308ZZ C3 |
| ODE Bearing | 6206ZZ C3 |
| Grease Type | NSK SN7 |

| CAPACITOR INFORMATION | |
|-----------------------|---------------|
| Start Capacitor | (2)400uF/330V |
| Run Capacitor | (2)45uF/500V |

| ADDITIONAL DATA | |
|--------------------|-------------------|
| F2 Suitable | No |
| Shaft Material | 1045 Carbon Steel |
| Connection Diagram | 230V - 4 Lead |
| Approximate Weight | 133.5 lbs. |

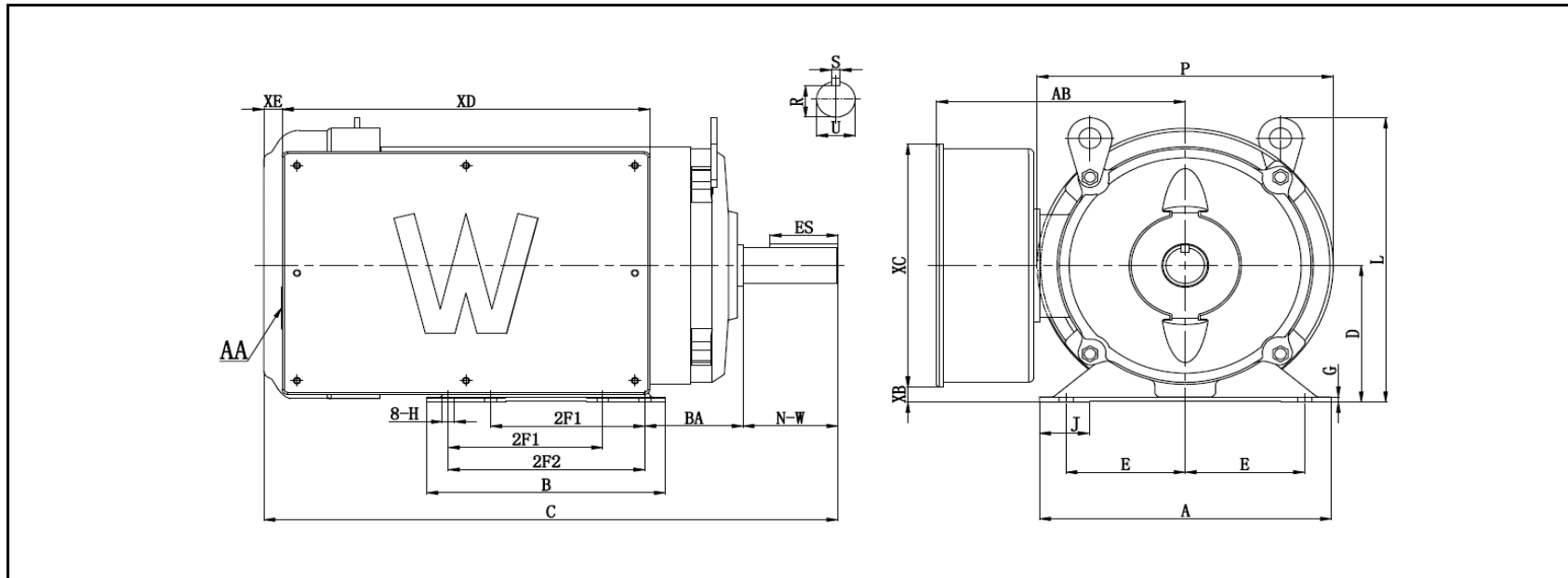
MOTOR DRAWING

Premium Efficiency Motor: **FD7.5-18-215TZ**

WorldWide Electric Corporation

1 (800) 808-2131

Worldwideelectric.net



DIMENSION - INCHES

| MOUNTING | | | | | A | B | C | D | G | L | P | AB |
|----------|-----|-----|------|-----|-----|-----|------|------|------|------|-------|-----|
| E | 2F1 | 2F2 | H | BA | | | | | | | | |
| 4.25 | 5.5 | 7 | 0.41 | 3.5 | 9.7 | 8.2 | 20.5 | 5.25 | 0.16 | 11.2 | 10.55 | 8.5 |

| KETSET | KEY | | SHAFT | | TERMINAL BOX | | | | | K | J |
|--------|------|------|-------|------|--------------|-----|------|----|-------------|----|-----|
| | R | ES | S | U | NW | XB | XC | XD | XE | | |
| 0.986 | 1.78 | 0.25 | 1.125 | 3.38 | 0.5 | 9.6 | 13.4 | 2 | 1-1 1/2 NPT | -- | 1.8 |

NAMEPLATE / WIRING

WorldWide Electric Corporation

1 (800) 808-2131

Worldwideelectric.net






Premium Efficiency Motor: **FD7.5-18-215TZ**

Document Generated: 25-Sep-2024
Document ID:

Customer:

SAMPLE NAMEPLATE DATA

| | | | | | |
|---|-------------|---|-----------|---|---|
|  | | HIGH EFFICIENCY-HIGH TORQUE SINGLE PHASE FARM DUTY MOTOR | |  |  |
| | | | | | |
| HP : | Encl : TEFC | IP 55 | | | |
| Hz : | 60 | FR : | Eff : | | |
| Volts : | 230 | Ins : F | P.F. : | | |
| Amps : | | CODE : | DE BRG : | | |
| RPM : | | WT : LBS | ODE BRG : | | |
| SF : | 1.15 | Max Amb 40°C - CONT | Date : | | |
| WorldWide Electric Corporation | | | | | |

| | | | | | |
|----------------|----------------|---------------|------------|-----------------|-----------|
| Model | FD7.5-18-215TZ | | | | |
| HP | 7.5 | Encl | TEFC | IP | IP55 |
| Hz | 60 Hz | Frame | 215TZ | Nom.Eff. | 86.7% |
| Voltage | 230 | Ins Cl | F | P.F. | 96.1 |
| Amps | 28.71A | Code | J | DE Brng | 6308ZZ C3 |
| RPM | 1766.5 | WT: | 133.5 lbs. | ODE Brng | 6206ZZ C3 |
| S.F. | 1.15 | | | | |