

DATA SHEET

Premium Efficiency Motor: **FD10-18-215TC,**

60 Hz

WorldWide Electric Corporation

1 (800) 808-2131

Worldwideelectric.net



Document Generated: 25-Sep-2024
Document ID:

Customer:

MOTOR INFORMATION	
HP	10
RPM	1800
Phase	1
Frequency	60 Hz
Voltage	230
Frame Size	215TC
Enclosure	TEFC
Degree of Protection	IP55
Service Factor	1.15
Poles	4
Full Load Speed	1765
Insulation Class	F
Temp Rise	80°C
NEMA Code Letter	K
Duty Cycle	S1 / Continuous
Slip	1.96%
Max Ambient Temperature	40°C
Max Elevation	1000 m.a.s.l (3300 f.a.s.l)
Mounting	F1
Rotation	Bi-Directional
Mounting Type	Rigid Base
Standard	NEMA MG-1
Approvals	UL, CE

EFFICIENCY/POWER FACTOR		
LOAD	EFF	P. F.
100%	87.5 %	95.9
75%	86.2 %	94.10
50%	80.8 %	88.7

TORQUE		
FULL LOAD	LRT	BDT
29.96 lb.ft.	509 %	230 %

AMPERAGE INFORMATION	
	230V
Full Load Amps	38.84A
Locked Rotor Amps	365.8A
No Load Current	11.79A
Usable at 208V	42.95A

BEARING INFORMATION	
DE Bearing	6308ZZ C3
ODE Bearing	6206ZZ C3
Grease Type	NSK SN7

CAPACITOR INFORMATION	
Start Capacitor	(2)550-660uF/330V
Run Capacitor	(2)60uF/500V

ADDITIONAL DATA	
F2 Suitable	No
Shaft Material	1045 Carbon Steel
Connection Diagram	230V - 4 Lead
Approximate Weight	148.5 lbs.

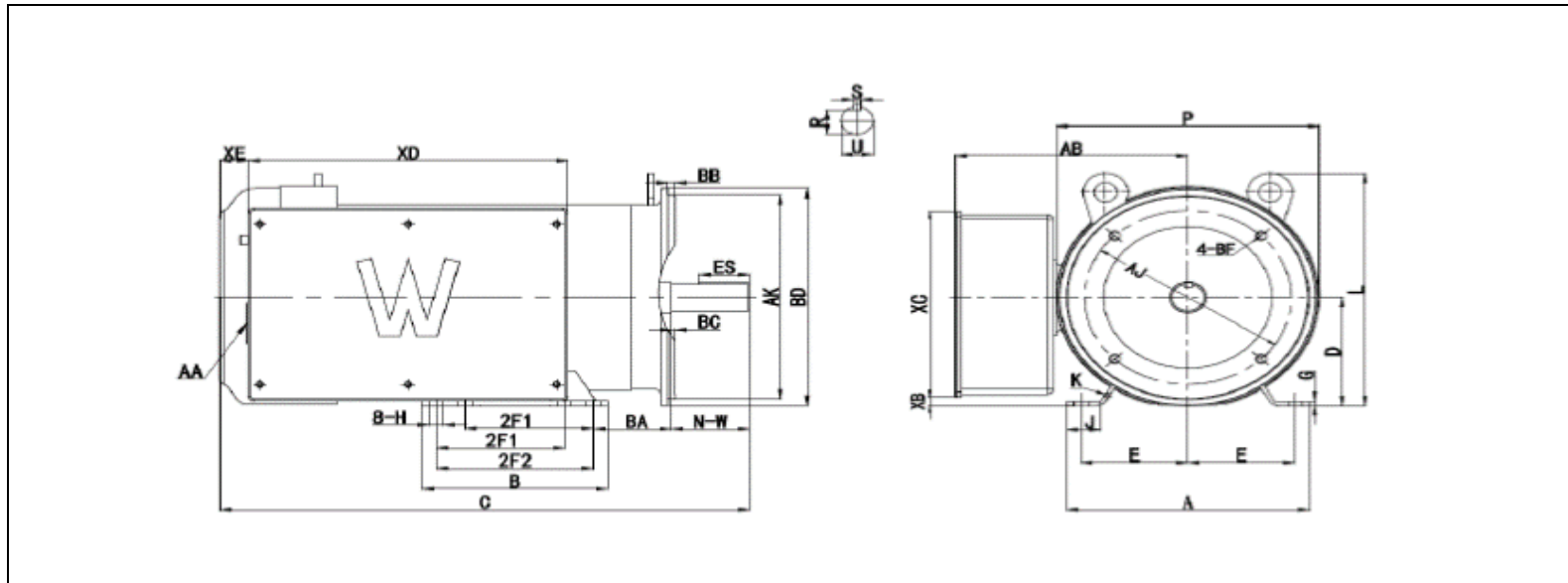
MOTOR DRAWING

Premium Efficiency Motor: **FD10-18-215TC**

WorldWide Electric Corporation

1 (800) 808-2131

Worldwideelectric.net



DIMENSION - INCHES

MOUNTING					A	B	C	D	G	L	P	AB
E	2F1	2F2	H	BA								
4.25	5.5	7	0.43	3.5	9.7	8.18	20.5	5.25	0.16	11.2	10.55	8.5

KETSET	KEY		SHAFT		TERMINAL BOX					K	J
	R	ES	S	U	NW	XB	XC	XD	XE		
1.201	2.41	0.312	1.375	3.38	0.5	9.6	13.4	2	1-11 1/2NPT	--	1.8

FLANGE					
AK	BD	AJ	BF	BB	BC
8.5	9	7.25	1/2-13	0.25	0.25

NAMEPLATE / WIRING

WorldWide Electric Corporation

1 (800) 808-2131

Worldwideelectric.net




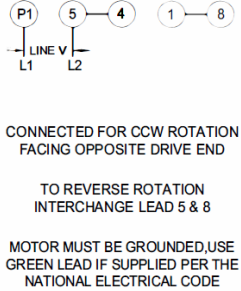


Premium Efficiency Motor: **FD10-18-215TC**

Document Generated: 25-Sep-2024
Document ID:

Customer:

SAMPLE NAMEPLATE DATA

		HIGH EFFICIENCY-HIGH TORQUE SINGLE PHASE FARM DUTY MOTOR					
						Model :	SN :
HP :		Encl : TEFC	IP 55				
Hz :	60	FR :	Eff :				
Volts :	230	Ins : F	P.F. :				
Amps :		CODE :	DE BRG :				
RPM :		WT : LBS	ODE BRG :				
SF :	1.15	Max Amb 40°C - CONT	Date :				
WorldWide Electric Corporation							

Model	FD10-18-215TC				
HP	10	Encl	TEFC	IP	IP55
Hz	60 Hz	Frame	215TC	Nom.Eff.	87.5%
Voltage	230	Ins Cl	F	P.F.	95.9
Amps	38.84A	Code	K	DE Brng	6308ZZ C3
RPM	1764.8	WT:	148.5 lbs.	ODE Brng	6206ZZ C3
S.F.	1.15				