

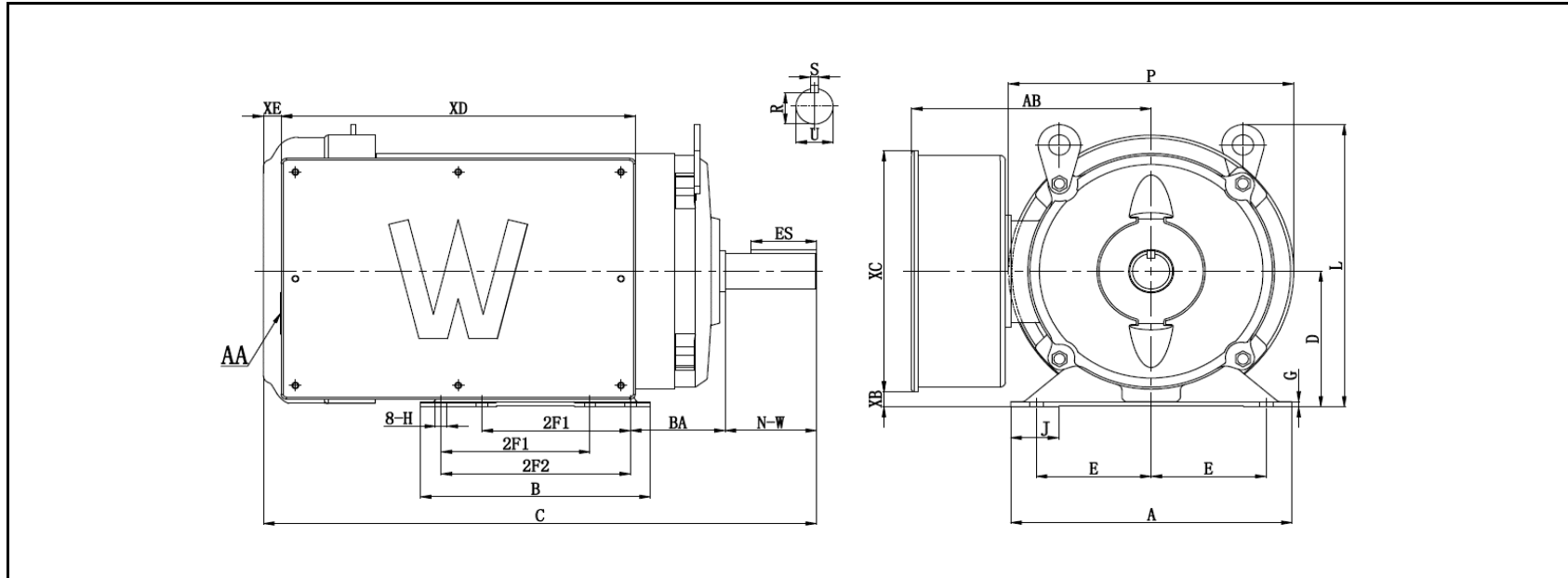
MOTOR DRAWING

Premium Efficiency Motor: **FD-210T**

WorldWide Electric Corporation

1 (800) 808-2131

Worldwideelectric.net



DIMENSION - INCHES

MOUNTING					A	B	C	D	G	L	P	AB
E	2F1	2F2	H	BA								
4.25	5.5	7	0.41	3.5	9.7	8.2	20.5	5.25	0.16	11.2	10.55	8.5

KETSET	KEY		SHAFT		TERMINAL BOX					K	J
	R	ES	S	U	NW	XB	XC	XD	XE		
1.201	2.41	0.312	1.375	3.38	0.5	9.6	13.4	2	1-1 1/2 NPT	--	1.8