

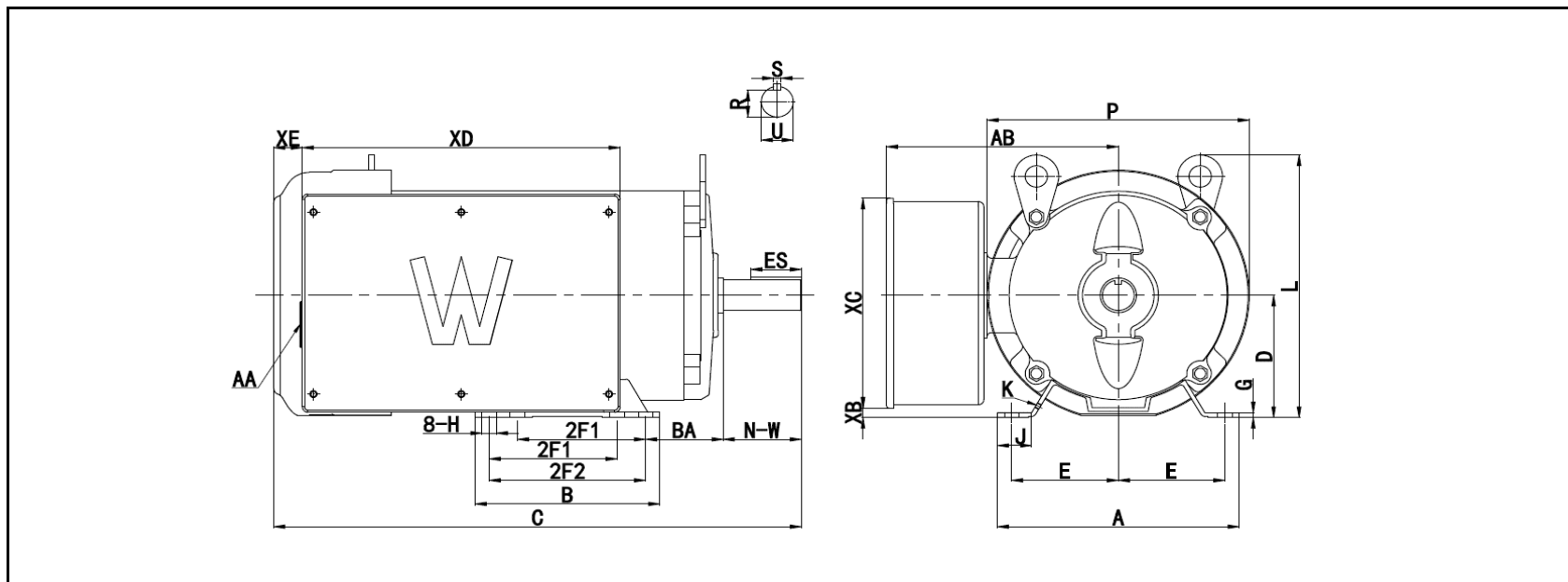
MOTOR DRAWING

Premium Efficiency Motor: **FD-180T**

WorldWide Electric Corporation

1 (800) 808-2131

Worldwideelectric.net



DIMENSION - INCHES

MOUNTING					A	B	C	D	G	L	P	AB
E	2F1	2F2	H	BA								
3.75	4.5	5.5	0.41	2.75	8.5	6.5	18.6	4.5	0.11	10	9.2	8

KETSET	KEY			SHAFT		TERMINAL BOX				K	J
	R	ES	S	U	NW	XB	XC	XD	XE		
0.986	1.78	0.25	1.125	2.75	0.66	7.7	11.4	2	3/4-14 NPT	M5	1.2