

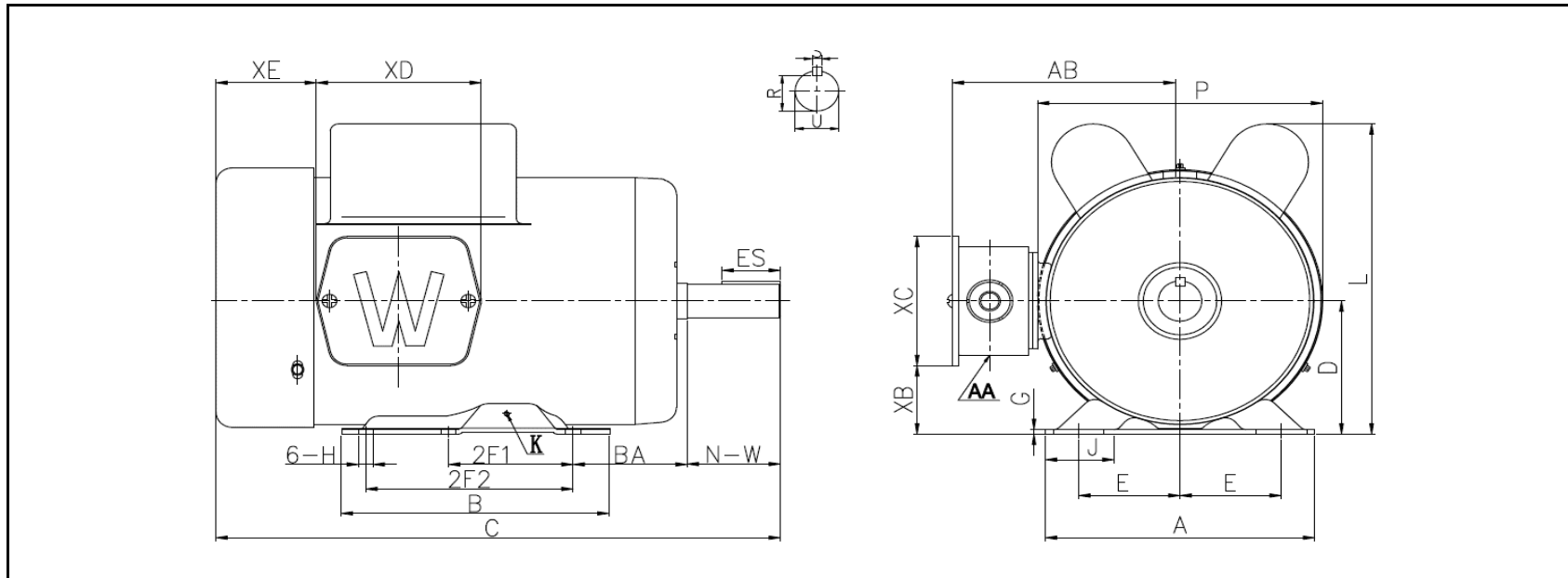
MOTOR DRAWING

Premium Efficiency Motor: **FD56HZ**

WorldWide Electric Corporation

1 (800) 808-2131

Worldwideelectric.net



DIMENSION - INCHES

MOUNTING					A	B	C	D	G	L	P	AB
E	2F1	2F2	H	BA								
2.75	3	5	0.34	2.75	6.5	6.5	13.8	3.5	0.12	8.3	6.8	6.2

KETSET	KEY		SHAFT		TERMINAL BOX					K	J	
	R	ES	S	U	NW	XB	XC	XD	XE			AA
0.771	1.41	0.188	0.875	2.25	1.56	3.96	4.55	1.66	3-0.88/2-1.109		M5	1.65