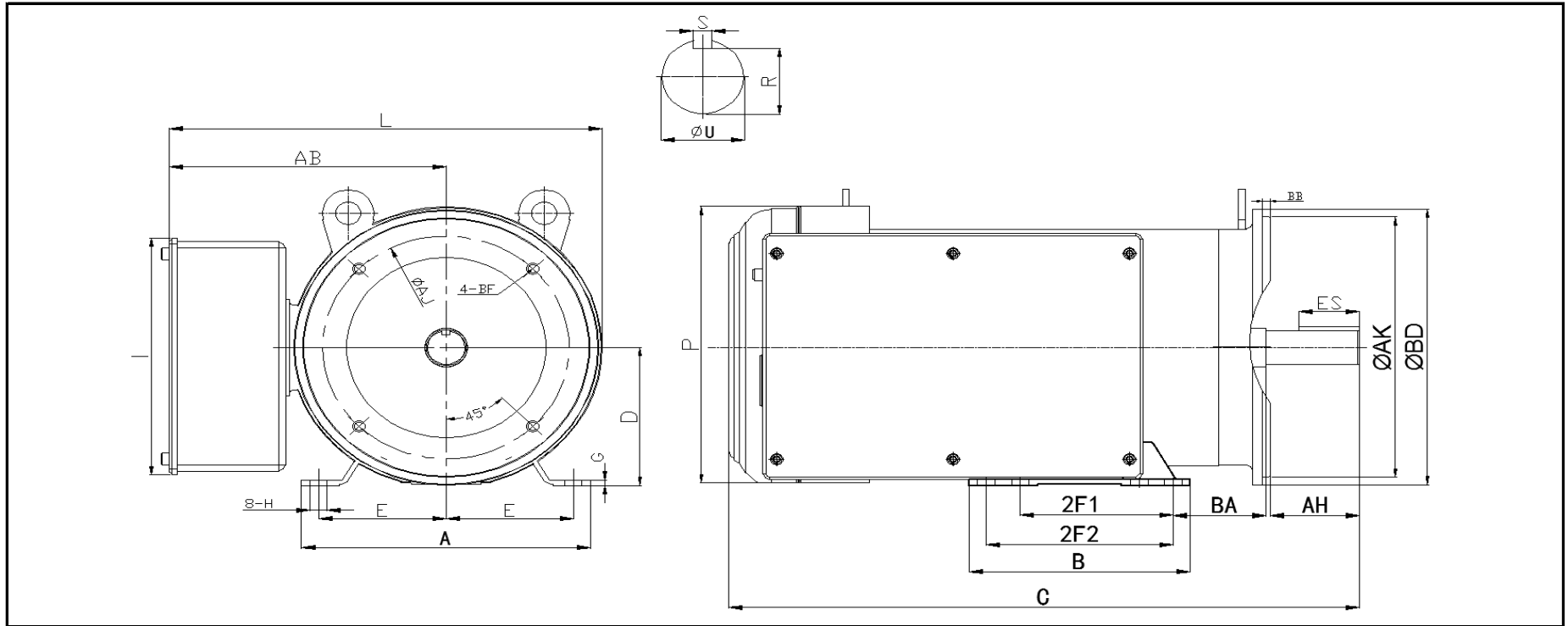




# WORLDWIDE ELECTRIC MOTOR DRAWING

## FD-215TZC



**DIMENSIONS - INCHES**

MOUNTING									
E	2F1	2F2	H	BA	A	B	C	D	G
4.25	5.5	7	0.43	3.5	9.69	8.18	20.46	5.25	0.16

KEYSET	KEY													
R	ES	S	U	AH	P	AB	I	L	AK	BD	AJ	BF	BB	
0.986	1.78	0.25	1.125	3.12	10.55	8.9	9.33	14.17	8.5	9	7.25	1/2-13	0.25	