

# DATA SHEET

Premium Efficiency Motor: **OJ1-36-56JRD,**

**60 Hz**

WorldWide Electric Corporation

1 (800) 808-2131

Worldwideelectric.net



Document Generated: 30-Mar-2023  
Document ID:

Customer:

MOTOR INFORMATION	
HP	1
RPM	3600
Phase	1
Frequency	60 Hz
Voltage	115/230
Frame Size	56J
Enclosure	ODP
Degree of Protection	IP23
Service Factor	1.40
Poles	2
Full Load Speed	3515
Insulation Class	F
Temp Rise	80°C
NEMA Code Letter	K
Duty Cycle	S1 / Continuous
Slip	2.33%
NEMA Design	N
Moment of Inertia	0.0493 lb.ft.^2
Locked Rotor Time (Hot)	12 seconds
Sound Pressure Level	78 dB(A)
Number of Starts	2
Max Ambient Temperature	40°C
Max Elevation	1000 m.a.s.l (3300 f.a.s.l)
Mounting	F1
Rotation	CW Facing ODE
Area of Classification	Safe
Inverter Rating	N/A
Standard	NEMA MG-1
Approvals	UL

EFFICIENCY/POWER FACTOR		
LOAD	EFF	P. F.
100%	80.4 %	0.97
75%	79.9 %	0.97
50%	74.7 %	0.96

TORQUE		
FULL LOAD	LRT	BDT
1.503 lb.ft.	292 %	332 %

AMPERAGE INFORMATION		
	115V	230V
Full Load Amps	8.204A	4.102A
Locked Rotor Amps	69.88A	34.94A
No Load Current	1.8548A	0.9274A
Usable at 208V	4.6A	

BEARING INFORMATION	
DE Bearing	6203-ZZ
ODE Bearing	6203-ZZ
Grease Type	NS7 ENS
DE Regreasing Interval	- Hours
ODE Regreasing Interval	- Hours
Grease Quantity	-

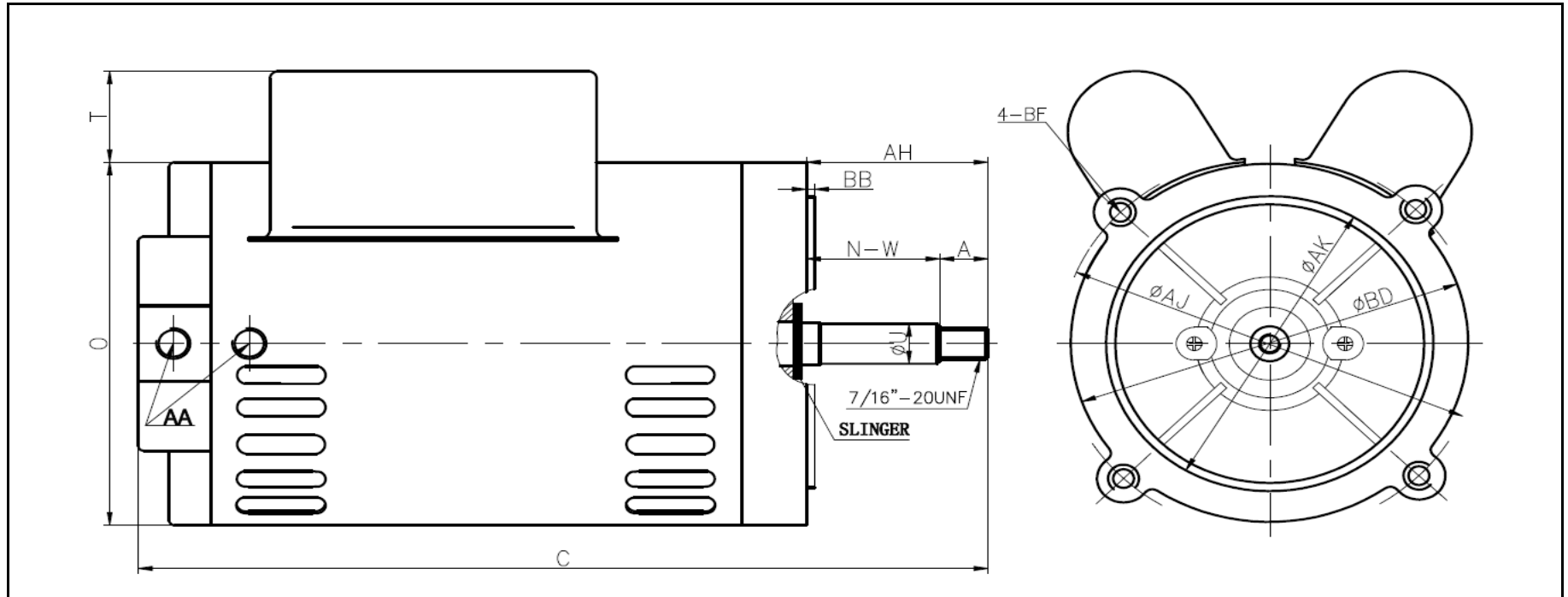
CAPACITOR INFORMATION	
Start Capacitor	1 - 300-360µf/125V
Run Capacitor	1 - 35µf/350V

ADDITIONAL DATA	
F2 Suitable	No
Shaft Material	S45C + SUS304
Connection Diagram	115 / 230 V - 3 Lead
Approximate Weight	28 lbs.

# ODP Jet Pump Motor Drawing

## 56JRD

WorldWide Electric Corporation  
 1 (800) 808-2131  
 Worldwideelectric.net



### DIMENSIONS - INCHES

C	P	O	T	AA
12.1	5.67	5.67	1.43	1/2 NPT

SHAFT & KEY					
EP	ET	ER	AH	U	THREAD
0.66	1.88	2.37	2.56	0.625	7/16-20 2A UNF

FLANGE				
AK	BD	AJ	BF	BB
4.5	5.67	5.875	4*3/8-16 UNC	0.16

REVISED - 6/1/2023

# NAMEPLATE / WIRING

WorldWide Electric Corporation

1 (800) 808-2131

Worldwideelectric.net



Premium Efficiency Motor: **OJ1-36-56JRD**

Document Generated: 30-Mar-2023  
Document ID:

Customer:

## SAMPLE NAMEPLATE DATA

		<b>OPEN DRIP PROOF SINGLE PHASE JET PUMP MOTOR</b>						
Model :		Encl : ODP		SN :			<b>CW ROTATION OPE</b>  <b>HIGH VOLTAGE</b> ② ① — L1 T8 — ④ — L2 T2 — T3 — ③	
HP :	Poles : 2	FR :	Ins : F	IP 23	Max Amb 40°C	Duty : Cont		
Hz :	60	CODE:			Design :		<b>LOW VOLTAGE</b> ② — T3 L1 — ① L2 — ④ — T8 T2 — ③	
Volts :		P.F. :			DE BRG :			
Amps :		Eff :			ODE BRG :			
RPM :		S.F. :			WT :	LBS		
								Date :
<b>WorldWide Electric Corporation</b>								

<b>Model</b>	OJ1-36-56JRD	<b>Frame</b>	56J	<b>Design</b>	N
<b>HP</b>	1	<b>Code</b>	K	<b>DE Brg</b>	6203-ZZ
<b>Hz</b>	60 Hz	<b>P.F.</b>	0.97	<b>ODE Brg</b>	6203-ZZ
<b>Voltage</b>	115/230	<b>Nom.Eff.</b>	80.4%	<b>WT</b>	28 lbs.
<b>Amps</b>	8.204A/4.102A	<b>S.F.</b>	1.4		
<b>RPM</b>	3515	<b>S.F.A</b>	5.93A		