

DATA SHEET

Premium Efficiency Motor: **OJ1.5-36-56CB,**

60 Hz

WorldWide Electric Corporation

1 (800) 808-2131

Worldwideelectric.net



Document Generated: 5-May-2022
Document ID:

Customer:

MOTOR INFORMATION	
HP	1.5
RPM	3600
Phase	1
Frequency	60 Hz
Voltage	115/230
Frame Size	56C
Enclosure	ODP
Degree of Protection	IP23
Service Factor	1.30
Poles	2
Full Load Speed	3535
Insulation Class	F
Temp Rise	80°C
NEMA Code Letter	J
Duty Cycle	S1 / Continuous
Slip	1.85%
NEMA Design	L
Moment of Inertia	0.0536 lb.ft.^2
Locked Rotor Time (Hot)	12 seconds
Sound Pressure Level	78 dB(A)
Number of Starts	2
Max Ambient Temperature	40°C
Max Elevation	1000 m.a.s.l (3300 f.a.s.l)
Mounting	F1
Rotation	CW Facing ODE
Area of Classification	Safe
Inverter Rating	N/A
Standard	NEMA MG-1
Approvals	UL

EFFICIENCY/POWER FACTOR		
LOAD	EFF	P. F.
100%	81.5 %	0.88
75%	80.5 %	0.83
50%	76.1 %	0.75

TORQUE		
FULL LOAD	LRT	BDT
2.194 lb.ft.	245 %	253 %

AMPERAGE INFORMATION		
	115V	230V
Full Load Amps	13.396A	6.698A
Locked Rotor Amps	99.64A	49.82A
No Load Current	5.902A	2.951A
Usable at 208V	7.4A	

BEARING INFORMATION	
DE Bearing	6203-ZZ
ODE Bearing	6203-ZZ
Grease Type	NS7 ENS
DE Regreasing Interval	- Hours
ODE Regreasing Interval	- Hours
Grease Quantity	-

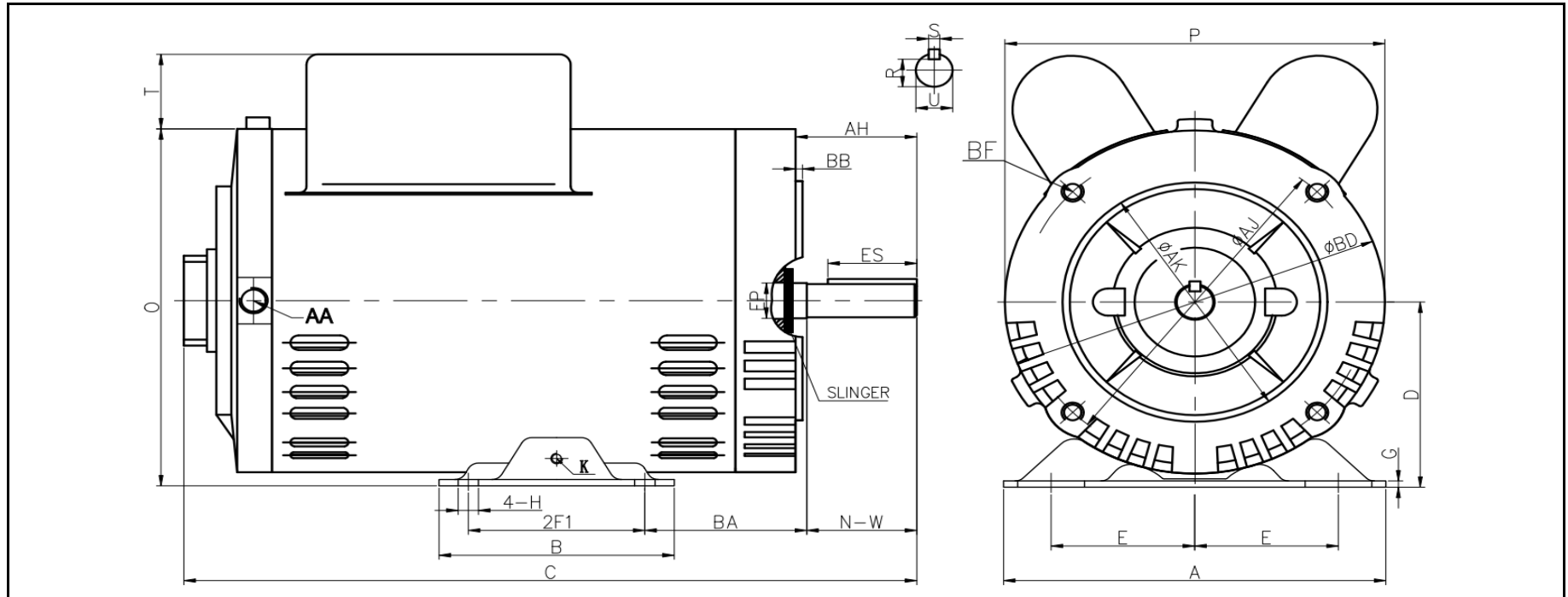
CAPACITOR INFORMATION	
Start Capacitor	1 - 300-360µf/125V
Run Capacitor	1 - 30µf/250V

ADDITIONAL DATA	
F2 Suitable	No
Shaft Material	S45C + SUS304
Connection Diagram	115 / 230 V - 3 Lead
Approximate Weight	33.1 lbs.

ODP Jet Pump Motor Drawing

56CB

WorldWide Electric Corporation
 1 (800) 808-2131
 Worldwideelectric.net



DIMENSIONS - INCHES

MOUNTING				A	B	C	D	G	P	O	T	Ground Lug K	AA
E	2F1	H	BA										
2.44	3	0.34	2.75	6.3	4	12.5	3.5	0.08	6.5	6.7	1.4	M5	1/2 NPT

SHAFT & KEY						
EP	S	ES	R	N-W	U	AH
0.66	0.188	1.41	0.517	1.88	0.625	2.06

FLANGE				
AK	BD	AJ	BF	BB
4.5	6.5	5.875	4*3/8-16 UNC	0.16

NAMEPLATE / WIRING

Premium Efficiency Motor: **OJ1.5-36-56CB**

WorldWide Electric Corporation

1 (800) 808-2131

Worldwideelectric.net



Document Generated: 5-May-2022
Document ID:

Customer:

SAMPLE NAMEPLATE DATA

		OPEN DRIP PROOF SINGLE PHASE JET PUMP MOTOR						
Model :		Encl : ODP		SN :			CW ROTATION OPE	
HP :	Poles : 2	FR :	Ins : F	IP 23	Max Amb 40°C	Duty : Cont	HIGH VOLTAGE	
Hz : 60	CODE:			Design :				
Volts :	P.F. :			DE BRG :				
Amps :	Eff :			ODE BRG :				
RPM :	S.F. :			WT :	LBS	LOW VOLTAGE		
Usable on 208V 60Hz network at ___ Amps				S.F.A :	Date :			
WorldWide Electric Corporation								

Model	OJ1.5-36-56CB		
HP	1.5	Frame	56C
Hz	60 Hz	Code	J
Voltage	115/230	P.F.	0.88
Amps	13.396A/6.698A	Nom.Eff.	81.5%
RPM	3535	S.F.	1.3
		S.F.A	8.689A
Usable on 208V 60Hz Network at	7.4A		
Design	L	DE Brg	6203-ZZ
ODE Brg	6203-ZZ	WT	33.1 lbs.