

DATA SHEET

Premium Efficiency Motor: **OJ2-36-56JB,**

60 Hz

WorldWide Electric Corporation

1 (800) 808-2131

Worldwideelectric.net



Document Generated: 30-Mar-2023

Document ID:

Customer:

MOTOR INFORMATION

HP	2
RPM	3600
Phase	1
Frequency	60 Hz
Voltage	115/230
Frame Size	56J
Enclosure	ODP
Degree of Protection	IP23
Service Factor	1.20
Poles	2
Full Load Speed	3525
Insulation Class	F
Temp Rise	80°C
NEMA Code Letter	H
Duty Cycle	S1 / Continuous
Slip	2.03%
NEMA Design	L
Moment of Inertia	0.069 lb.ft.^2
Locked Rotor Time (Hot)	12 seconds
Sound Pressure Level	78 dB(A)
Number of Starts	2
Max Ambient Temperature	40°C
Max Elevation	1000 m.a.s.l (3300 f.a.s.l)
Mounting	F1
Rotation	CW Facing ODE
Area of Classification	Safe
Inverter Rating	N/A
Standard	NEMA MG-1
Approvals	UL

EFFICIENCY/POWER FACTOR

LOAD	EFF	P. F.
100%	82.9 %	0.96
75%	83.5 %	0.95
50%	79.0 %	0.93

TORQUE

FULL LOAD	LRT	BDT
2.998 lb.ft.	277 %	244 %

AMPERAGE INFORMATION

	115V	230V
Full Load Amps	16.106A	8.053A
Locked Rotor Amps	123.26A	61.63A
No Load Current	4.13A	2.065A
Usable at 208V	8.9A	

BEARING INFORMATION

DE Bearing	6203-ZZ
ODE Bearing	6203-ZZ
Grease Type	NS7 ENS
DE Regreasing Interval	- Hours
ODE Regreasing Interval	- Hours
Grease Quantity	-

CAPACITOR INFORMATION

Start Capacitor	1 - 400-480µf/250V
Run Capacitor	1 - 60µf/250V

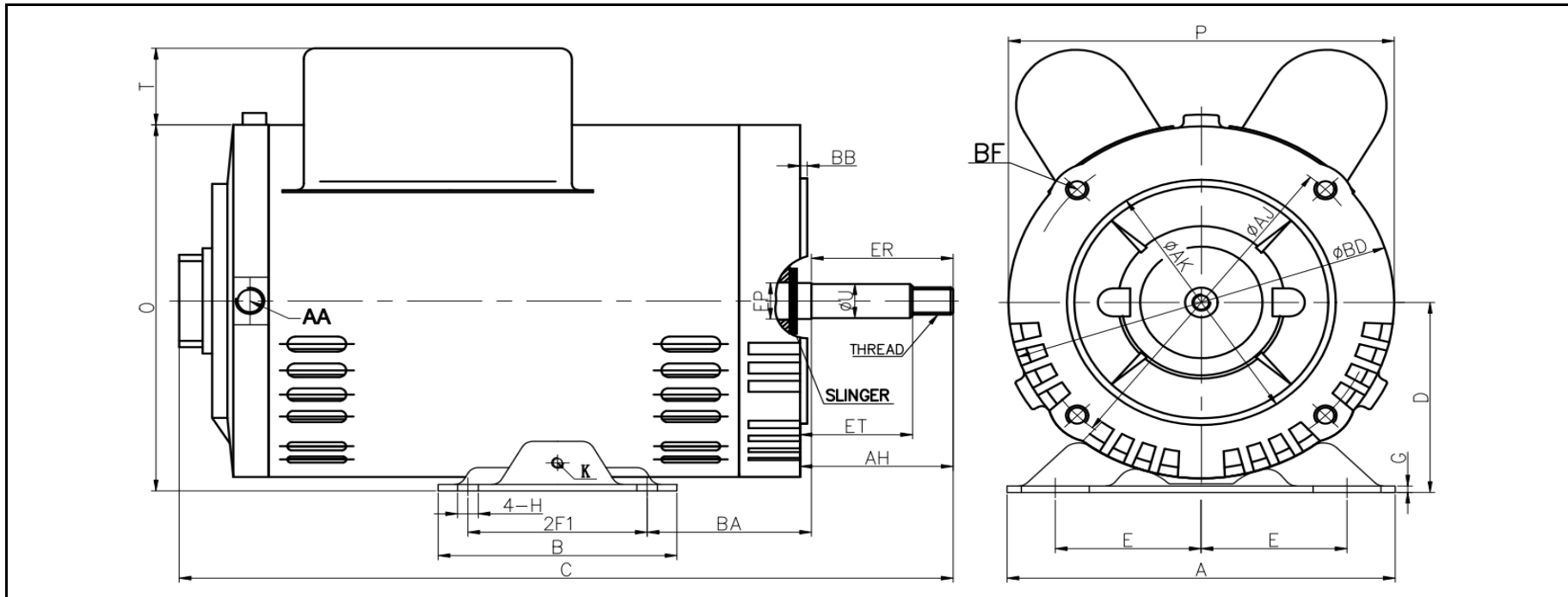
ADDITIONAL DATA

F2 Suitable	No
Shaft Material	S45C + SUS304
Connection Diagram	115 / 230 V - 3 Lead
Approximate Weight	37.8 lbs.

ODP Jet Pump Motor Drawing

56JB

WorldWide Electric Corporation
1 (800) 808-2131
Worldwideelectric.net



DIMENSIONS - INCHES

MOUNTING				A	B	C	D	G	P	O	T	Ground Lug K	AA
E	2F1	H	BA										
2.44	3	0.34	2.75	6.3	4	13.8	3.5	0.08	6.5	6.7	0.23	M5	1/2 NPT

SHAFT & KEY					
EP	ET	ER	AH	U	THREAD
0.66	1.88	2.37	2.56	0.625	7/16-20 2A UNF

FLANGE				
AK	BD	AJ	BF	BB
4.5	6.5	5.875	4*3/8-16 UNC	0.16

NAMEPLATE / WIRING

WorldWide Electric Corporation

1 (800) 808-2131

Worldwideelectric.net



Premium Efficiency Motor: **OJ2-36-56JB**

Document Generated: 30-Mar-2023	Customer:
Document ID:	

SAMPLE NAMEPLATE DATA

		OPEN DRIP PROOF SINGLE PHASE JET PUMP MOTOR					
Model :		Encl : ODP		SN :		CW ROTATION OPE	
HP :	Poles : 2	FR :	Ins : F	IP 23	Max Amb 40°C	Duty : Cont	HIGH VOLTAGE ② ① — L1 T8 — ④ — L2 T2 — T3 — ③
Hz : 60	CODE:			Design :			LOW VOLTAGE ② — T3 L1 — ① L2 — ④ — T8 T2 — ③
Volts :	P.F. :			DE BRG :			
Amps :	Eff :			ODE BRG :			
RPM :	S.F. :			WT : LBS	Date :		
WorldWide Electric Corporation							

Model	OJ2-36-56JB	Frame	56J	Design	L
HP	2	Code	H	DE Brg	6203-ZZ
Hz	60 Hz	P.F.	0.96	ODE Brg	6203-ZZ
Voltage	115/230	Nom.Eff.	82.9%	WT	37.8 lbs.
Amps	16.106A/8.053A	S.F.	1.2		
RPM	3525	S.F.A	9.72A		