



# WORLDWIDE ELECTRIC MOTOR DATA SHEET



## WSS34-36-56CB

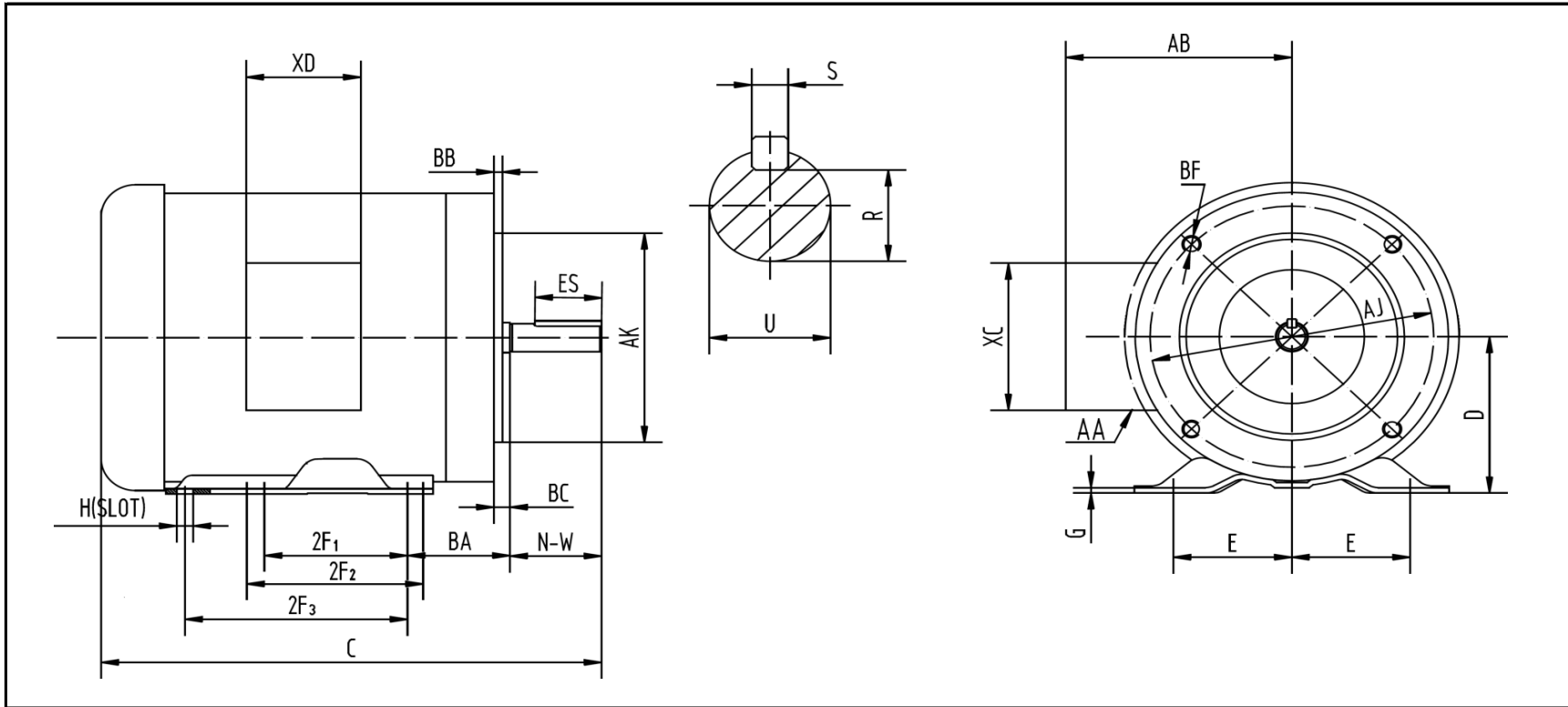
HORSEPOWER	3/4
RPM / POLES	3600 / 2
VOLTAGE / PHASE	230 / 460 V / 3
FRAME	56C
ENCLOSURE	TEFC / IP56
FREQUENCY	60 HZ
FULL LOAD SPEED	3470 RPM
SERVICE FACTOR	1.15
INSULATION CLASS	F
FULL LOAD AMPS	2.3 / 1.15 A
LOCKED ROTOR AMPS (STARTING)	15.0 / 7.5 A
NO LOAD CURRENT	0.86 / 0.43 A
EFFICIENCY (100% LOAD)	73.0%
POWER FACTOR (100% LOAD)	0.84
DUTY CYCLE	CONTINUOUS
FULL LOAD TORQUE	1.1 LB. FT.
LOCKED ROTOR TORQUE	241%
BREAKDOWN TORQUE	303%
DE BEARING	6205 DDU
ODE BEARING	6205 DDU
MOUNTING	F1
ROTATION	CW / CCW
BASE TYPE	C-FACE - RIGID
SHAFT	KEYED
OVERLOAD	---
START CAPACITOR	---
RUN CAPACITOR	---
WIRE TYPE	LOOSE WIRE
WIRE HOUSING	JUNCTION BOX
ROTOR INERTIA	0.09989 LB. FT. <sup>2</sup>
SHAFT MATERIAL	304 STAINLESS STEEL
CONNECTION DIAGRAM	230 / 460 V - 9 LEAD Y
APPROXIMATE WEIGHT	33 LBS.
INVERTER RATING	2:1 CT / 5:1 VT PWM Type





WORLDWIDE ELECTRIC MOTOR DRAWING

WSS34-36-56CB



MOUNTING												
E	2F1	2F2	2F3	H	BA	C	D	G	AA	AB	BC	
2.44	3	4	---	0.34	2.75	12.66	3.5	0.12	0.86	5.39	0.19	

KEY		KEYSEAT	FLANGE				SHAFT		TERMINAL BOX	
ES	S	R	AJ	AK	BB	BF	N-W	U	XC	XD
1.41	0.188	0.517	5.875	4.5	0.16	3/8-16	1.88	0.625	4.72	3.82

ALL DIMENSIONS IN INCHES

REVISED - 09/29/15