



WORLDWIDE ELECTRIC MOTOR DATA SHEET



WSS1.5-18-56CB

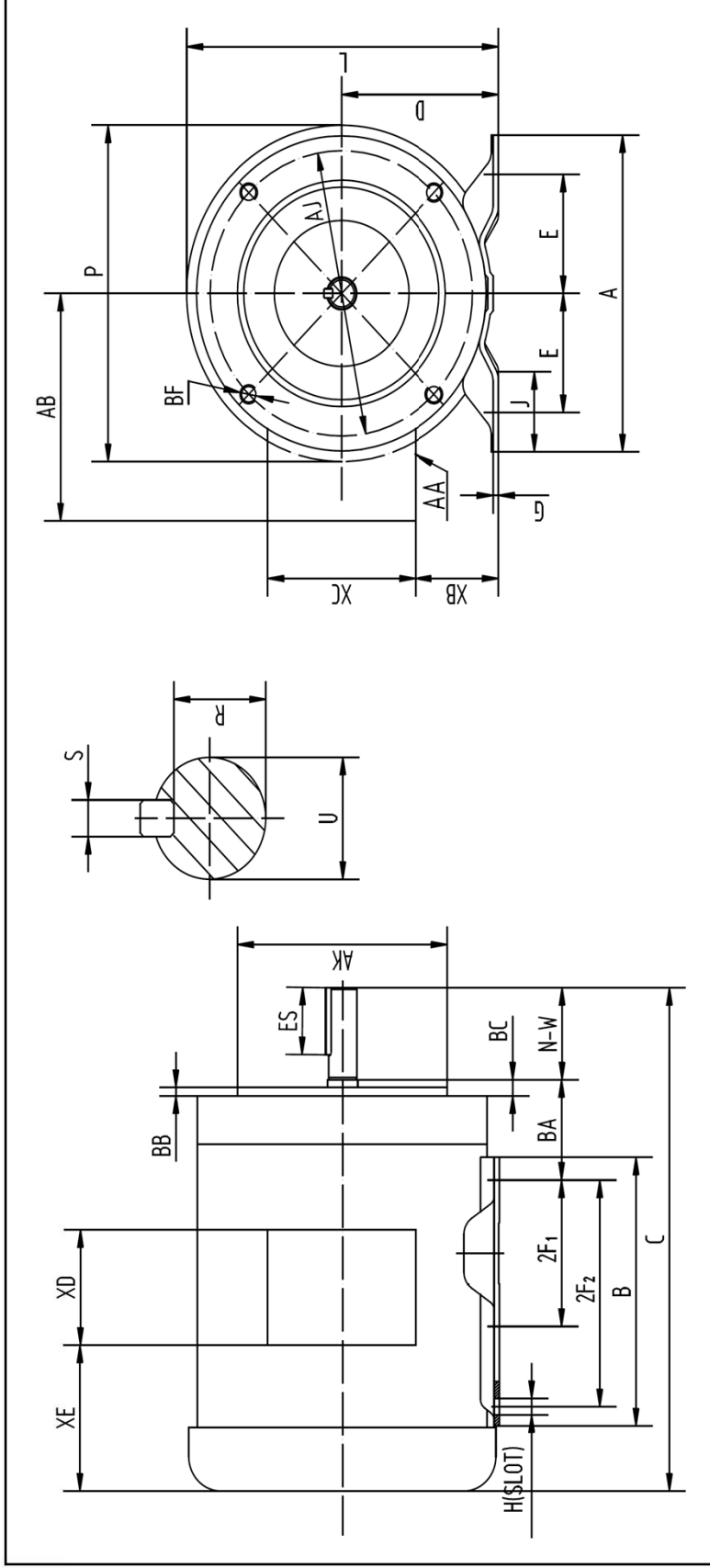
| | |
|------------------------------|------------------------------|
| HP | 1.5 |
| RPM / POLES | 1800 / 4 |
| VOLTAGE / PHASE | 230 / 460 V / 3 |
| FRAME | 56C |
| ENCLOSURE | TEFC |
| FREQUENCY | 60 HZ |
| RATED SPEED | 1740 RPM |
| FULL LOAD AMPS | 4.2 / 2.1 A |
| DUTY CYCLE | CONTINUOUS |
| SERVICE FACTOR | 1.15 |
| INSULATION CLASS | F |
| RATED TORQUE | 4.4 LB. FT. |
| LOCKED ROTOR TORQUE | 233% |
| BREAKDOWN TORQUE | 298% |
| LOCKED ROTOR AMPS (STARTING) | 27.6 / 13.8 A |
| NO LOAD CURRENT | 1.4 / 0.7 A |
| BASE TYPE | C-FACE - RIGID |
| SHAFT | KEYED |
| DE BEARING | 6205 DDU |
| ODE BEARING | 6205 DDU |
| MOUNTING | F1 |
| ROTATION | CW / CCW |
| OVERLOAD | --- |
| START CAPACITOR | --- |
| RUN CAPACITOR | --- |
| WIRE TYPE | LOOSE WIRE |
| WIRE HOUSING | JUNCTION BOX |
| ROTOR INERTIA | 0.08679 LB. FT. ² |
| SHAFT MATERIAL | 304 STAINLESS STEEL |
| CONNECTION DIAGRAM | 230 / 460 V - 9 LEAD Y |
| APPROX. WEIGHT | 42 LBS. |
| POWER FACTOR | 0.83 |
| FL EFFICIENCY | 84.0% |



REVISED - 08/30/12



WORLDWIDE ELECTRIC MOTOR DRAWING
WSS1.5-18-56CB



| MOUNTING | | | |
|----------|-----|-----|------|
| E | 2F1 | 2F2 | H |
| 2.44 | 3 | 5 | 0.34 |

| A | B | C | D | G | L | P | AA | AB |
|-----|-----|-------|-----|------|-----|-----|------|------|
| 6.5 | 6.5 | 12.57 | 3.5 | 0.12 | 6.5 | 8.5 | 0.86 | 5.75 |

| KEY | | KEYSEAT | | FLANGE | | | SHAFT | | | TERMINAL BOX | | |
|------|------|---------|-------|--------|-----|------|--------|------|-------|--------------|-----|--|
| BC | ES | S | R | AJ | AK | BB | BF | N-W | U | XC | XD | |
| 0.19 | 1.41 | 0.188 | 0.517 | 5.875 | 4.5 | 0.16 | 3/8-16 | 1.88 | 0.625 | 3.27 | 3.8 | |

ALL DIMENSIONS IN INCHES