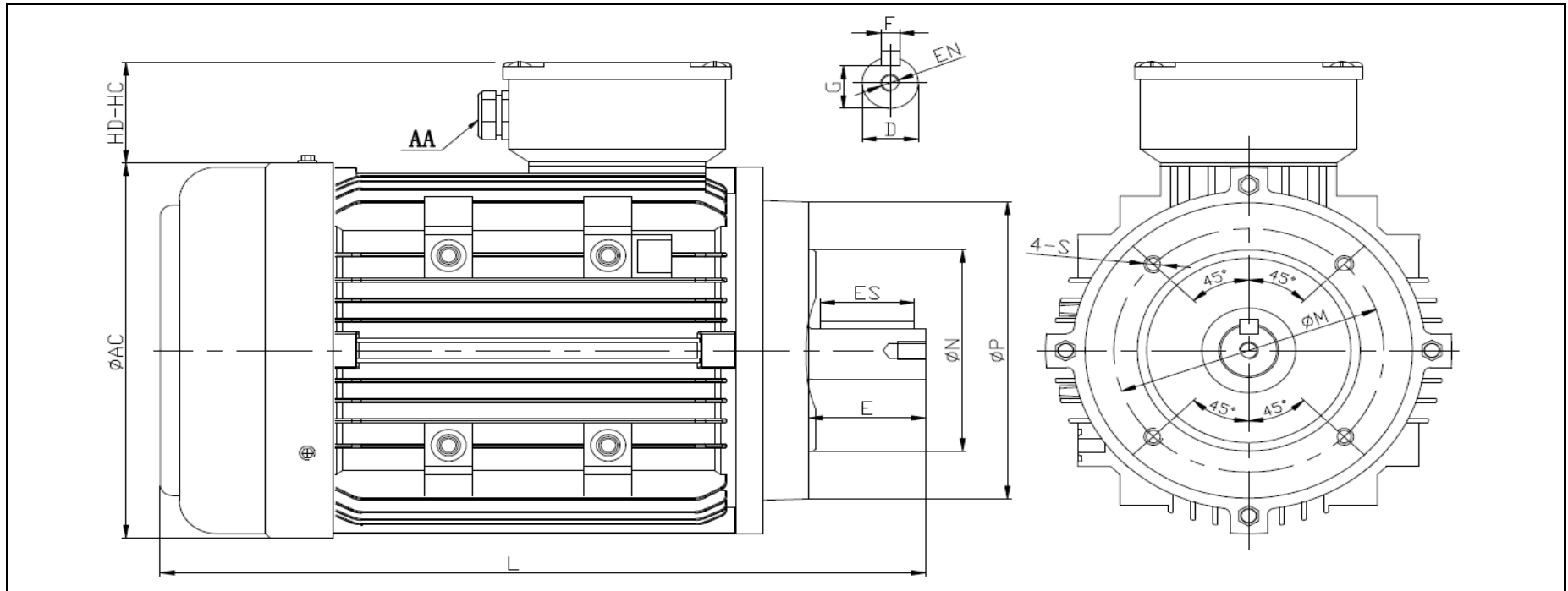


# IEC MOTOR DRAWING

90L

WorldWide Electric Corporation  
 1 (800) 808-2131  
 Worldwideelectric.net



### DIMENSIONS - METRIC (mm)

| FLANGE MOUNTING |     |   |     |      | L   | AC  |
|-----------------|-----|---|-----|------|-----|-----|
| N               | P   | T | M   | S    |     |     |
| 95              | 140 | 3 | 115 | 4*M8 | 330 | 175 |

| SHAFT & KEY |    |    |    |    |         |
|-------------|----|----|----|----|---------|
| F           | ES | G  | E  | D  | EN      |
| 8           | 40 | 20 | 50 | 24 | M8*25mm |

| TERMINAL BOX |       |
|--------------|-------|
| AA           | HD-HC |
| M20          | 49    |