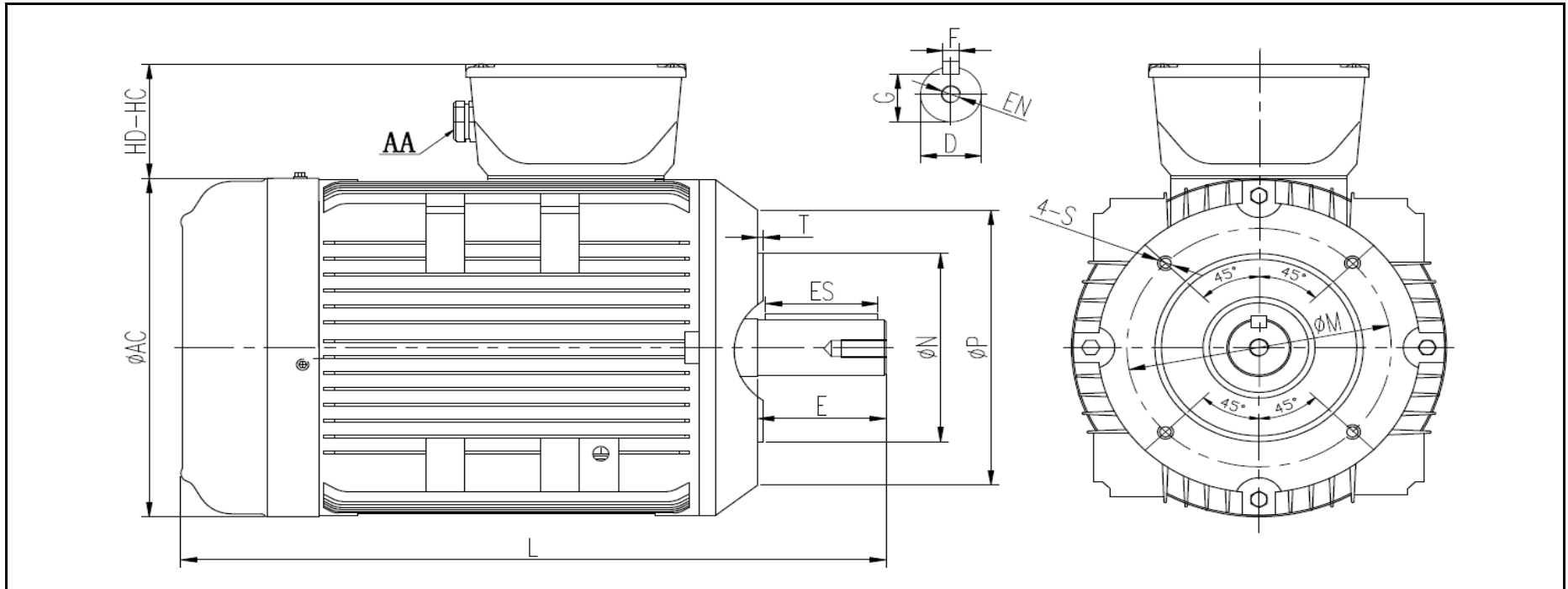


IEC MOTOR DRAWING

132S

WorldWide Electric Corporation
 1 (800) 808-2131
 Worldwideelectric.net



DIMENSIONS - METRIC (mm)

| FLANGE MOUNTING | | | | | L | AC |
|-----------------|-----|---|-----|-------|-----|-----|
| N | P | T | M | S | | |
| 130 | 200 | 3 | 165 | 4*M10 | 467 | 234 |

| SHAFT & KEY | | | | | |
|-------------|----|----|----|----|----------|
| F | ES | G | E | D | EN |
| 10 | 70 | 33 | 80 | 38 | M12*30mm |

| TERMINAL BOX | |
|--------------|-------|
| AA | HD-HC |
| M32 | 80 |