

DATA SHEET

Premium Efficiency Motor: **PEWWE1-12-145TC**

60 Hz

WorldWide Electric Corporation

1 (800) 808-2131

Worldwideelectric.net



Document Generated: 14-Oct-2024
Document ID:

Customer:

MOTOR INFORMATION	
HP	1
RPM	1200
Phase	3
Frequency	60 Hz
Voltage	230/460 V
Frame Size	145TC
Enclosure	TEFC
Degree of Protection	IP55
Service Factor	1.25
Poles	6
Full Load Speed	1160
Insulation Class	F
Temp Rise	80°C
NEMA Code Letter	N
Duty Cycle	S1 / Continuous
Slip	3.33%
NEMA Design	B
Moment of Inertia	0.113 lb.ft.^2
Locked Rotor Time (Hot)	13 seconds
Sound Pressure Level	55 dB(A)
Number of Starts	2 Cold/ 1 Hot
Max Ambient Temperature	40°C
Max Elevation	1000 m.a.s.l (3300 f.a.s.l)
Mounting	F1
Rotation	Bi-Directional
Area of Classification	Class 1 Division 2 Groups A,B,C,D T3C(160°C)
Inverter Rating	10:1 CT / 20:1 VT PWM Type
Standard	NEMA MG-1
Approvals	CSA-US, CE

EFFICIENCY/POWER FACTOR		
LOAD	EFF	P. F.
100%	82.5 %	0.65
75%	82.0 %	0.58
50%	78.3 %	0.45

TORQUE		
FULL LOAD	LRT	BDT
4.53 lb.ft.	170 %	280 %

AMPERAGE INFORMATION		
	230V	460V
Full Load Amps	3.49A	1.75A
Locked Rotor Amps	30A	15A
No Load Current	2.5A	1.25A
Usable at 208V	3.86A	

BEARING INFORMATION	
DE Bearing	6205ZZ C3
ODE Bearing	6205ZZ C3
Grease Type	--
DE Regreasing Interval	- Hours
ODE Regreasing Interval	- Hours

ADDITIONAL DATA	
F2 Suitable	Yes
Shaft Material	1045 Carbon Steel
Connection Diagram	230 / 460 V - 9 Lead Y
Approximate Weight	51.9 lbs.

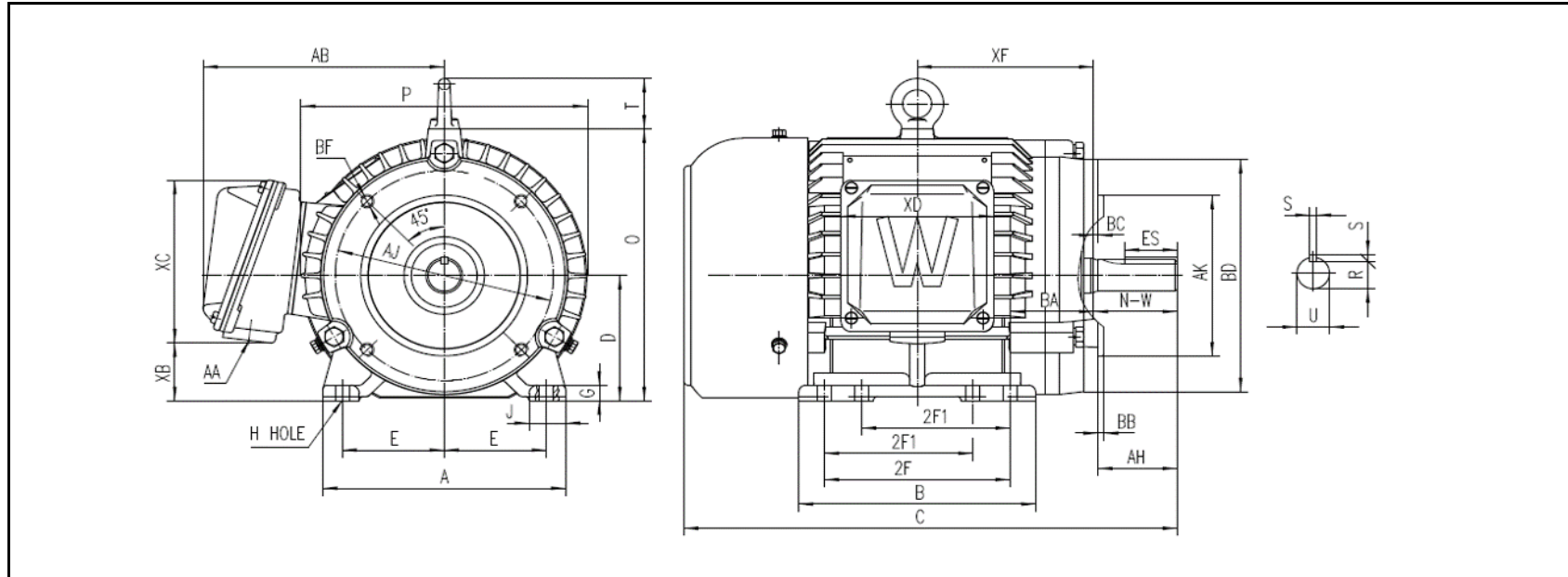
MOTOR DRAWING

Premium Efficiency Motor: **PEWWE1-12-145TC**

WorldWide Electric Corporation

1 (800) 808-2131

Worldwideelectric.net



DIMENSION - INCHES

MOUNTING					A	B	C	D	G	J	P	O	T	AB
E	2F1	2F	H	BA										
2.75	4	5	0.34	2.25	6.535	6.378	13.276	3.5	0.433	0.984	7.717	7.6	1.417	6.491

SHAFT & KEY					
S	ES	R	N-W	AH	U
0.188	1.41	0.771	2.25	2.12	0.875

TERMINAL BOX				
AA	XB	XC	XD	XF
3/4	1.61	4.55	4.094	4.748

FLANGE					
AJ	AK	BB	BD	BF	BC
5.875	4.5	0.16	6.496	3/8-16	0.12

PERFORMANCE CURVES

WorldWide Electric Corporation

1 (800) 808-2131

Worldwideelectric.net



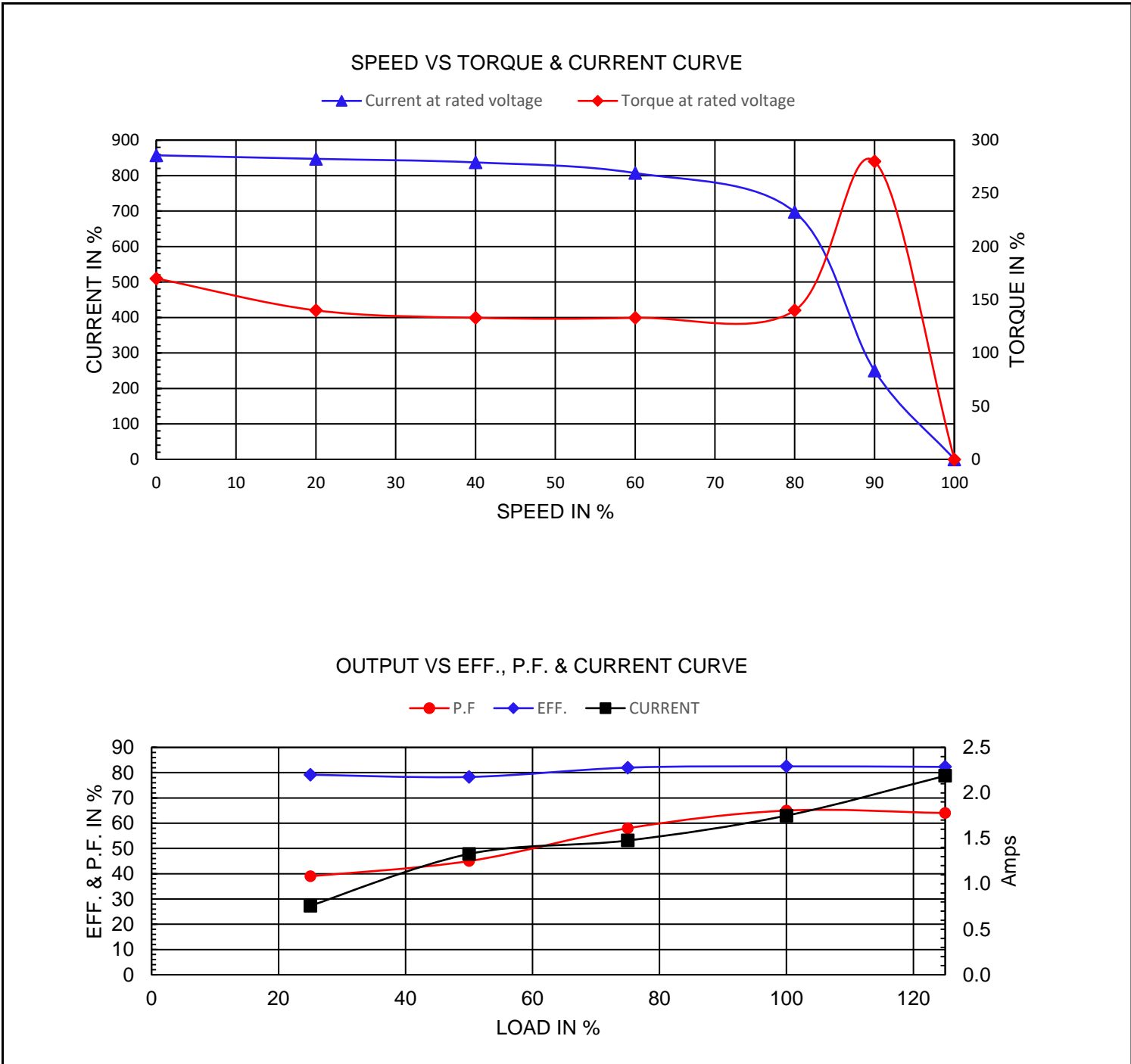
Premium Efficiency Motor:

PEWWE1-12-145TC

Document Generated: 14-Oct-2024
 Document ID:

Customer:

Motor Type	PEWWE		FL Speed	1160		
Output Rating (HP)	1		LRT (%FLT)	170	460 volt FLA	1.75
Full Load Torque	4.53	lb.ft	BDT (%FLT)	280	230 volt FLA	3.49
Rotor Wk ²	0.113	lb-ft ²				



NAMEPLATE / WIRING

WorldWide Electric Corporation

1 (800) 808-2131

Worldwideelectric.net



WorldWide
ELECTRIC CORPORATION

Premium Efficiency Motor:

PEWWE1-12-145TC

Document Generated: 14-Oct-2024
Document ID:

Customer:

SAMPLE NAMEPLATE DATA

		3-PHASE INDUCTION MOTOR		259277			
Model		Ser No.		Low Voltage	50Hz		
HP		S.F.		Rating	°C Amb Cont	1.0SF	
Frame		P.F.		IP		HP	
Voltage	230/460	Hz		Code		%	
Amps		RPM		Ins Cl		V	
Nom. Eff.	FL	% 3/4	%	10:1 CT	20:1 VT	PWM	VFD
Class I DIV. 2 Groups A B C D		Amb.40°C	T3C(160°C)	Date			
Class I Zone 2 IIC		Amb.55°C	T3A(180°C)				
Grease type:	DE Brng						
	ODE Brng						
WorldWide Electric Corporation							

Model	PEWWE1-12-145TC						
HP	1	S.F.	1.25	IP	IP55	Encl	TEFC
Frame	145TC	P.F.	0.65	Code	N	Type	
Voltage	230/460 V	Hz	60 Hz	Ins Cl	F	Ambient	40°C
Amps	3.49/1.75	RPM	1160	Design	B	DE Brng	6205ZZ C3
Nom. Eff.	FL	82.5%	3/4	82.0%		ODE Brng	6205ZZ C3
Class 1 Division 2 Groups A,B,C,D						T3C(160°C)	Grease type: --
50Hz							
1 HP		200/400 V		4.37/2.1 A		955 rpm	
Eff. 75.9%							