

# DATA SHEET

Premium Efficiency Motor: **PEWWE3-36-182TC**

**60 Hz**

WorldWide Electric Corporation

1 (800) 808-2131

Worldwideelectric.net



Document Generated: 14-Oct-2024  
Document ID:

Customer:

MOTOR INFORMATION	
HP	3
RPM	3600
Phase	3
Frequency	60 Hz
Voltage	230/460 V
Frame Size	182TC
Enclosure	TEFC
Degree of Protection	IP55
Service Factor	1.25
Poles	2
Full Load Speed	3490
Insulation Class	F
Temp Rise	80°C
NEMA Code Letter	K
Duty Cycle	S1 / Continuous
Slip	3.06%
NEMA Design	B
Moment of Inertia	0.124 lb.ft.^2
Locked Rotor Time (Hot)	17 seconds
Sound Pressure Level	64 dB(A)
Number of Starts	2 Cold/ 1 Hot
Max Ambient Temperature	40°C
Max Elevation	1000 m.a.s.l (3300 f.a.s.l)
Mounting	F1
Rotation	Bi-Directional
Area of Classification	Class 1 Division 2 Groups A,B,C,D T3C(160°C)
Inverter Rating	10:1 CT / 20:1 VT PWM Type
Standard	NEMA MG-1
Approvals	CSA-US, CE

EFFICIENCY/POWER FACTOR		
LOAD	EFF	P. F.
100%	86.5 %	0.85
75%	87.0 %	0.78
50%	85.5 %	0.66

TORQUE		
FULL LOAD	LRT	BDT
4.51 lb.ft.	200 %	340 %

AMPERAGE INFORMATION		
	230V	460V
Full Load Amps	7.64A	3.82A
Locked Rotor Amps	64A	32A
No Load Current	3.7A	1.85A
Usable at 208V	8.45A	

BEARING INFORMATION	
DE Bearing	6206ZZ C3
ODE Bearing	6206ZZ C3
Grease Type	--
DE Regreasing Interval	- Hours
ODE Regreasing Interval	- Hours

ADDITIONAL DATA	
F2 Suitable	Yes
Shaft Material	1045 Carbon Steel
Connection Diagram	230 / 460 V - 9 Lead Y
Approximate Weight	77 lbs.

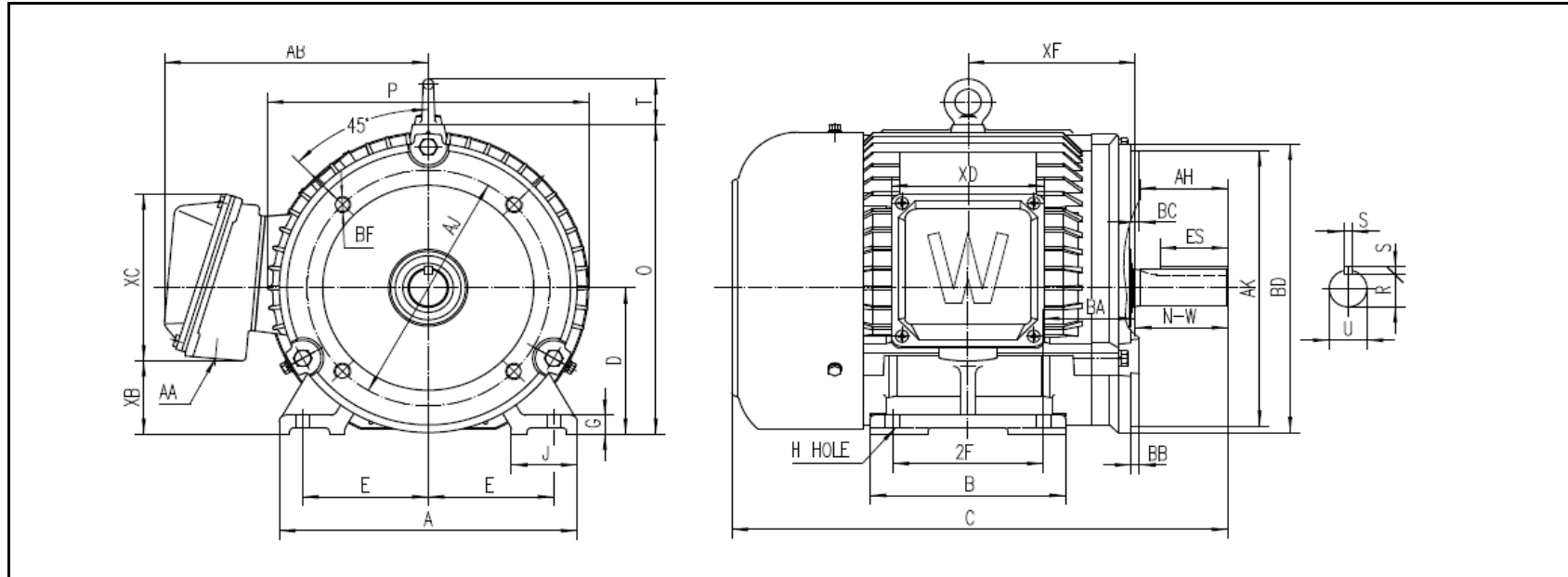
# MOTOR DRAWING

Premium Efficiency Motor: **PEWWE3-36-182TC**

WorldWide Electric Corporation

1 (800) 808-2131

Worldwideelectric.net



## DIMENSION - INCHES

MOUNTING					A	B	C	D	G	J	P	O	T	AB
E	2F1	2F	H	BA										
3.75	-	4.5	0.41	2.75	8.898	5.827	14.803	4.5	0.591	1.969	9.606	9.5	1.417	7.876

SHAFT & KEY					
S	ES	R	N-W	AH	U
0.25	1.78	0.986	2.75	2.62	1.125

TERMINAL BOX				
AA	XB	XC	XD	XF
1	2.26	5.124	4.567	4.997

FLANGE					
AJ	AK	BB	BD	BF	BC
7.25	8.5	0.25	8.86	1/2-13	0.12

# PERFORMANCE CURVES

WorldWide Electric Corporation

1 (800) 808-2131

Worldwideelectric.net



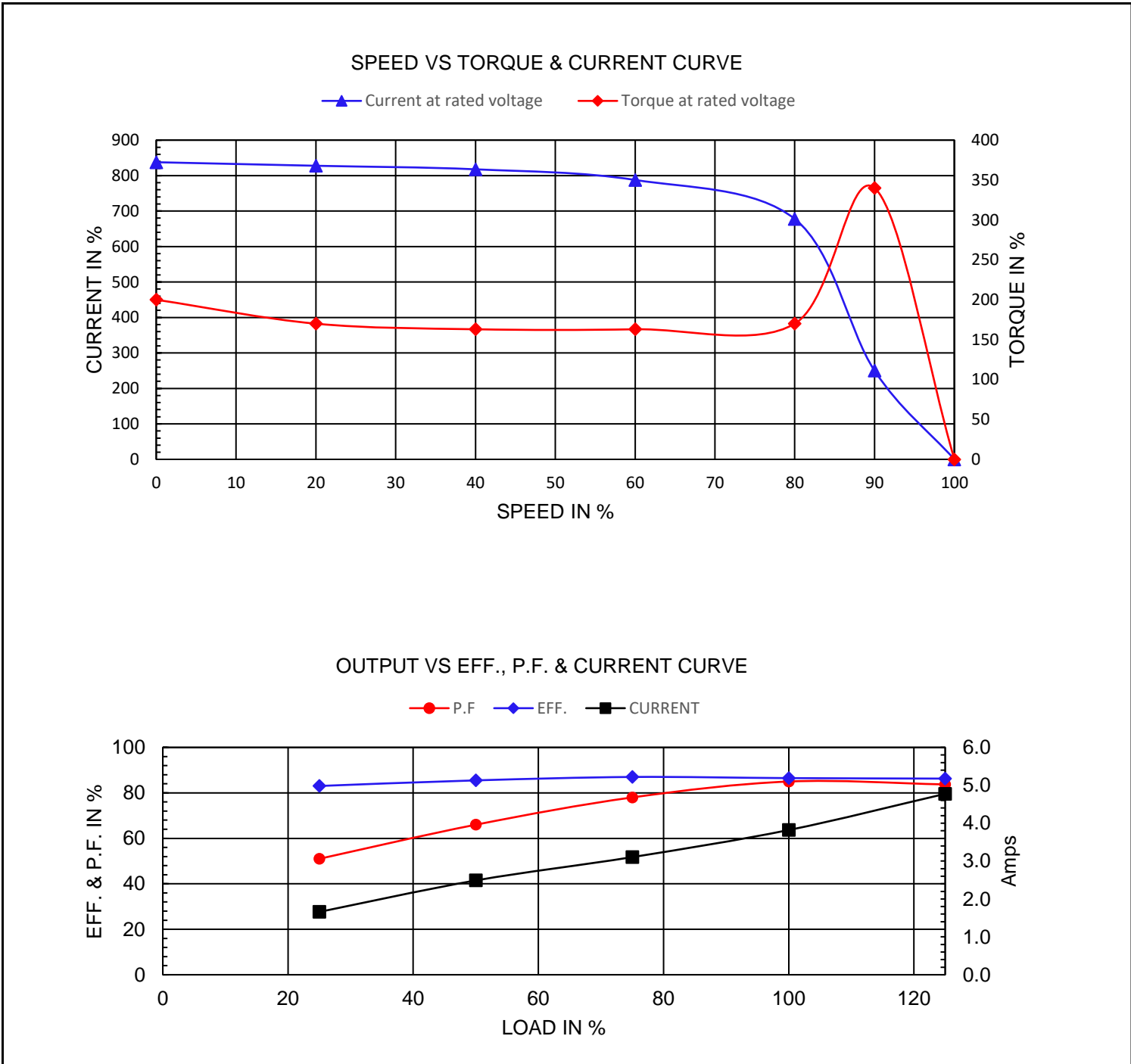
Premium Efficiency Motor:

**PEWWE3-36-182TC**

Document Generated: 14-Oct-2024  
 Document ID:

Customer:

Motor Type	PEWWE		FL Speed	3490	
Output Rating (HP)	3		LRT (%FLT)	200	460 volt FLA 3.82
Full Load Torque	4.51	lb.ft	BDT (%FLT)	340	230 volt FLA 7.64
Rotor Wk <sup>2</sup>	0.124	lb-ft <sup>2</sup>			



# NAMEPLATE / WIRING

WorldWide Electric Corporation

1 (800) 808-2131

Worldwideelectric.net



**WORLDWIDE**  
ELECTRIC CORPORATION

Premium Efficiency Motor:

**PEWWE3-36-182TC**

Document Generated: 14-Oct-2024  
Document ID:

Customer:

## SAMPLE NAMEPLATE DATA

		<b>3-PHASE INDUCTION MOTOR</b>		259277			
Model		Ser No.		Low Voltage		50Hz	
HP		S.F.		Rating	°C Amb Cont	1.0SF	
Frame		P.F.		IP	Encl	HP	
Voltage	230/460	Hz		Code	Type	%	
Amps		RPM		Ins Cl	Design	V	
Nom. Eff.	FL	% 3/4	%	10:1 CT	20:1 VT	PWM	VFD
Class I DIV. 2 Groups A B C D		Amb.40°C		T3C(160°C)		Date	
Class I Zone 2 IIC		Amb.55°C		T3A(180°C)			
Grease type:		DE Brng		ODE Brng		rpm	
		ODE Brng					
<b>WorldWide Electric Corporation</b>							

Model	PEWWE3-36-182TC						
HP	3	S.F.	1.25	IP	IP55	Encl	TEFC
Frame	182TC	P.F.	0.85	Code	K	Type	
Voltage	230/460 V	Hz	60 Hz	Ins Cl	F	Ambient	40°C
Amps	7.64/3.82	RPM	3490	Design	B	DE Brng	6206ZZ C3
Nom. Eff.	FL	86.5%	3/4	87.0%		ODE Brng	6206ZZ C3
Class 1 Division 2 Groups A,B,C,D						T3C(160°C)	
						Grease type: --	
50Hz							
3 HP		200/400 V		9.14/4.5 A		2885 rpm	
Eff. 83.2%							