

DATA SHEET

Premium Efficiency Motor: **PEWWE2-36-145TC**

60 Hz

WorldWide Electric Corporation

1 (800) 808-2131

Worldwideelectric.net



Document Generated: 14-Oct-2024
Document ID:

Customer:

| MOTOR INFORMATION | |
|-------------------------|--|
| HP | 2 |
| RPM | 3600 |
| Phase | 3 |
| Frequency | 60 Hz |
| Voltage | 230/460 V |
| Frame Size | 145TC |
| Enclosure | TEFC |
| Degree of Protection | IP55 |
| Service Factor | 1.25 |
| Poles | 2 |
| Full Load Speed | 3495 |
| Insulation Class | F |
| Temp Rise | 80°C |
| NEMA Code Letter | L |
| Duty Cycle | S1 / Continuous |
| Slip | 2.92% |
| NEMA Design | B |
| Moment of Inertia | 0.0483 lb.ft.^2 |
| Locked Rotor Time (Hot) | 12 seconds |
| Sound Pressure Level | 63 dB(A) |
| Number of Starts | 2 Cold/ 1 Hot |
| Max Ambient Temperature | 40°C |
| Max Elevation | 1000 m.a.s.l (3300 f.a.s.l) |
| Mounting | F1 |
| Rotation | Bi-Directional |
| Area of Classification | Class 1 Division 2 Groups A,B,C,D T3C(160°C) |
| Inverter Rating | 10:1 CT / 20:1 VT PWM Type |
| Standard | NEMA MG-1 |
| Approvals | CSA-US, CE |

| EFFICIENCY/POWER FACTOR | | |
|-------------------------|--------|-------|
| LOAD | EFF | P. F. |
| 100% | 85.5 % | 0.8 |
| 75% | 85.0 % | 0.71 |
| 50% | 82.5 % | 0.58 |

| TORQUE | | |
|-------------|-------|-------|
| FULL LOAD | LRT | BDT |
| 3.01 lb.ft. | 230 % | 340 % |

| AMPERAGE INFORMATION | | |
|----------------------|-------|-------|
| | 230V | 460V |
| Full Load Amps | 5.48A | 2.74A |
| Locked Rotor Amps | 50A | 25A |
| No Load Current | 3.2A | 1.6A |
| Usable at 208V | 6.05A | |

| BEARING INFORMATION | |
|-------------------------|-----------|
| DE Bearing | 6205ZZ C3 |
| ODE Bearing | 6205ZZ C3 |
| Grease Type | -- |
| DE Regreasing Interval | - Hours |
| ODE Regreasing Interval | - Hours |

| ADDITIONAL DATA | |
|--------------------|------------------------|
| F2 Suitable | Yes |
| Shaft Material | 1045 Carbon Steel |
| Connection Diagram | 230 / 460 V - 9 Lead Y |
| Approximate Weight | 49.7 lbs. |

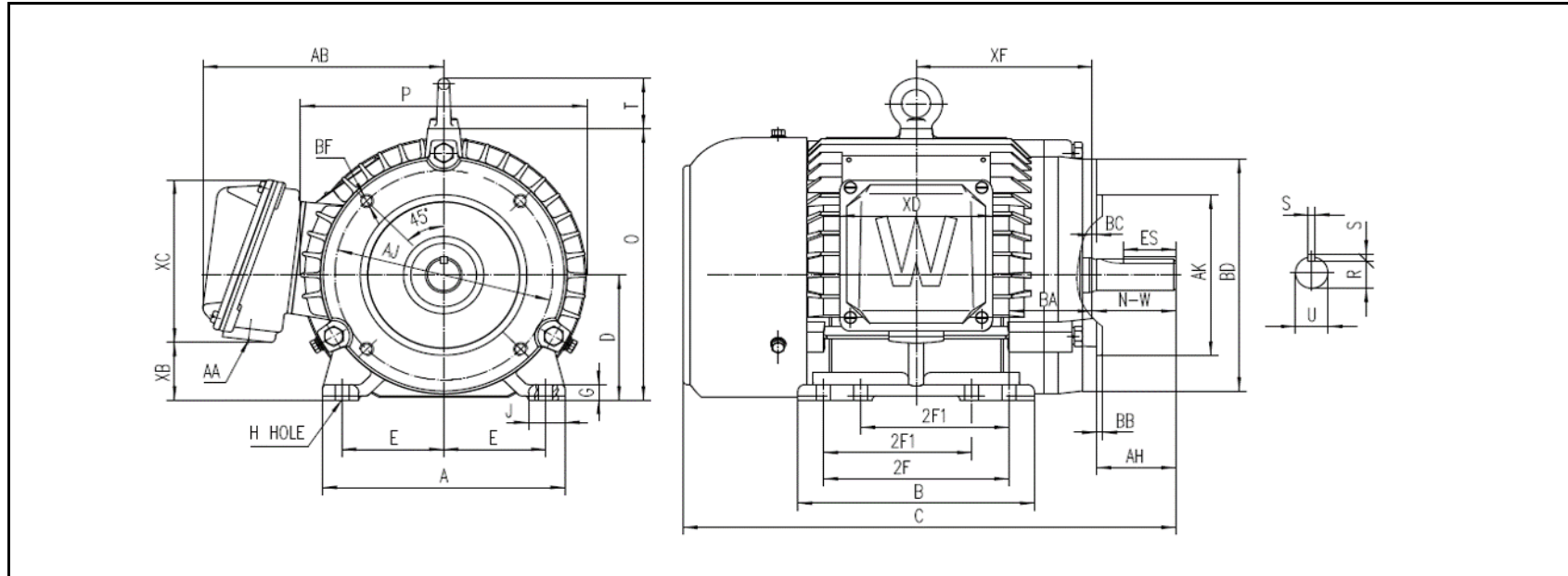
MOTOR DRAWING

Premium Efficiency Motor: **PEWWE2-36-145TC**

WorldWide Electric Corporation

1 (800) 808-2131

Worldwideelectric.net



DIMENSION - INCHES

| MOUNTING | | | | | A | B | C | D | G | J | P | O | T | AB |
|----------|-----|----|------|------|-------|-------|--------|-----|-------|-------|-------|-----|-------|-------|
| E | 2F1 | 2F | H | BA | | | | | | | | | | |
| 2.75 | 4 | 5 | 0.34 | 2.25 | 6.535 | 6.378 | 13.276 | 3.5 | 0.433 | 0.984 | 7.717 | 7.6 | 1.417 | 6.491 |

| SHAFT & KEY | | | | | |
|-------------|------|-------|------|------|-------|
| S | ES | R | N-W | AH | U |
| 0.188 | 1.41 | 0.771 | 2.25 | 2.12 | 0.875 |

| TERMINAL BOX | | | | |
|--------------|------|------|-------|-------|
| AA | XB | XC | XD | XF |
| 3/4 | 1.61 | 4.55 | 4.094 | 4.748 |

| FLANGE | | | | | |
|--------|-----|------|-------|--------|------|
| AJ | AK | BB | BD | BF | BC |
| 5.875 | 4.5 | 0.16 | 6.496 | 3/8-16 | 0.12 |

PERFORMANCE CURVES

WorldWide Electric Corporation

1 (800) 808-2131

Worldwideelectric.net



Premium Efficiency Motor:

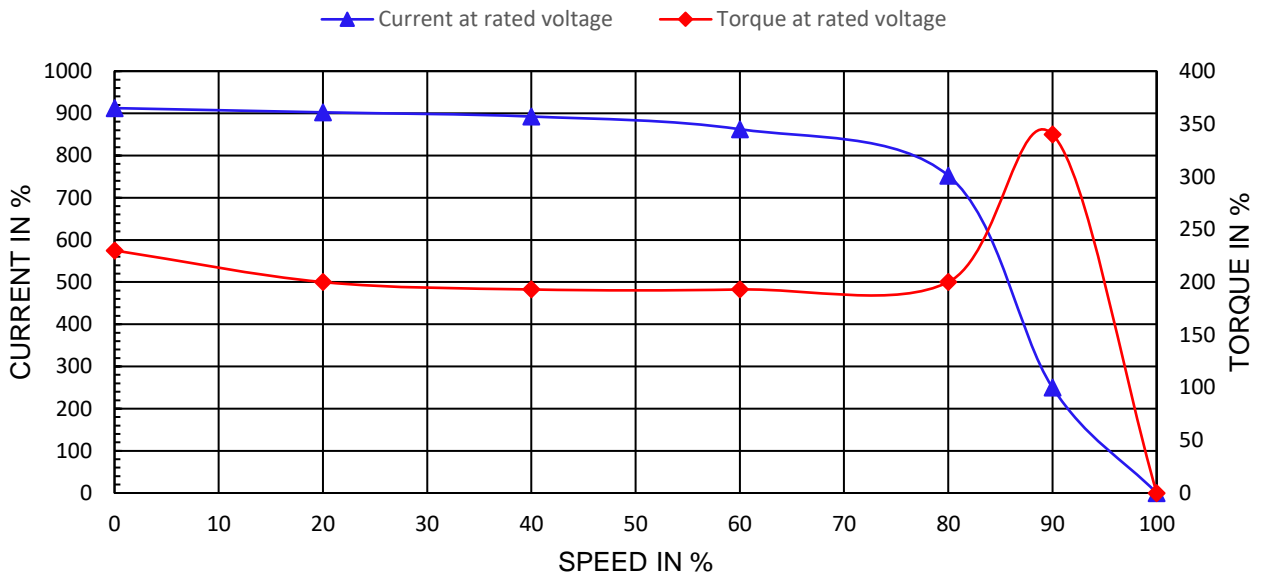
PEWWE2-36-145TC

Document Generated: 14-Oct-2024
Document ID:

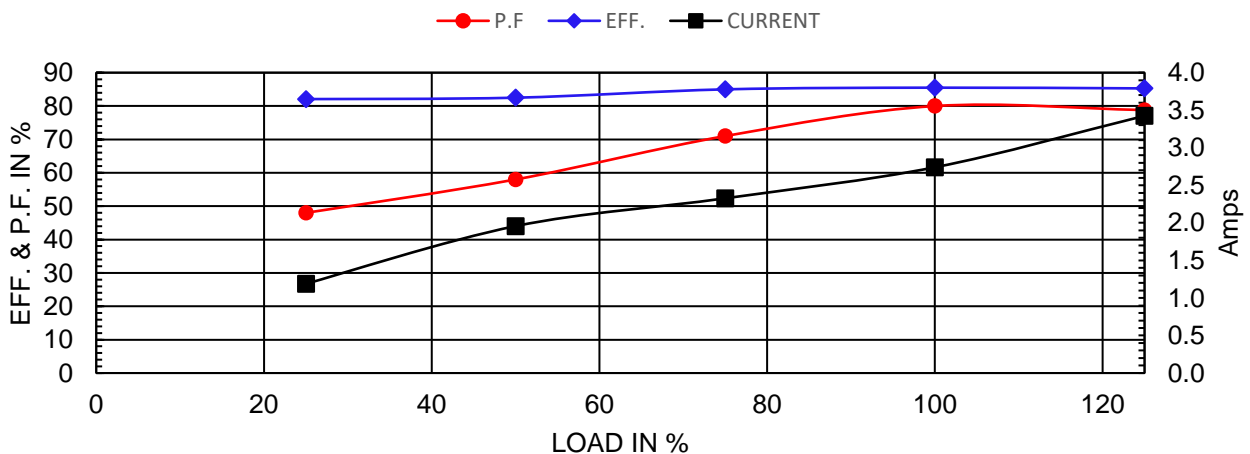
Customer:

| | | | | | | |
|-----------------------|--------|--------------------|------------|------|--------------|------|
| Motor Type | PEWWE | | FL Speed | 3495 | | |
| Output Rating (HP) | 2 | | LRT (%FLT) | 230 | 460 volt FLA | 2.74 |
| Full Load Torque | 3.01 | lb.ft | BDT (%FLT) | 340 | 230 volt FLA | 5.48 |
| Rotor Wk ² | 0.0483 | lb-ft ² | | | | |

SPEED VS TORQUE & CURRENT CURVE



OUTPUT VS EFF., P.F. & CURRENT CURVE



NAMEPLATE / WIRING

Premium Efficiency Motor: **PEWWE2-36-145TC**

WorldWide Electric Corporation

1 (800) 808-2131

Worldwideelectric.net



Document Generated: 14-Oct-2024
Document ID:

Customer:

SAMPLE NAMEPLATE DATA

| | | | | | |
|---------------------------------------|---------------------|--------------------------------|------------|--|-------------|
| | | 3-PHASE INDUCTION MOTOR | | 259277 | |
| Model | | Ser No. | | Low Voltage 4-5-6 7-8-9 1-2-3 L1 L2 L3 | |
| HP | | S.F. | | Rating | °C Amb Cont |
| Frame | | P.F. | | IP | Encl |
| Voltage | 230/460 | Hz | | Code | Type |
| Amps | | RPM | | Ins Cl | Design |
| Nom. Eff. | FL | % 3/4 | % | 10:1 CT 20:1 VT PWM VFD | 1.0SF |
| Class I DIV. 2 Groups A B C D | | Amb.40°C | T3C(160°C) | | |
| Class I Zone 2 IIC | | Amb.55°C | T3A(180°C) | Date | |
| Grease type: | DE Brng ODE Brng | | | | |
| WorldWide Electric Corporation | | | | | |

| | | | | | | | |
|-----------------------------------|-----------------|-----------|-------|------------|------|------------|-----------------|
| Model | PEWWE2-36-145TC | | | | | | |
| HP | 2 | S.F. | 1.25 | IP | IP55 | Encl | TEFC |
| Frame | 145TC | P.F. | 0.8 | Code | L | Type | |
| Voltage | 230/460 V | Hz | 60 Hz | Ins Cl | F | Ambient | 40°C |
| Amps | 5.48/2.74 | RPM | 3495 | Design | B | DE Brng | 6205ZZ C3 |
| Nom. Eff. | FL | 85.5% | 3/4 | 85.0% | | ODE Brng | 6205ZZ C3 |
| Class 1 Division 2 Groups A,B,C,D | | | | | | T3C(160°C) | Grease type: -- |
| 50Hz | | | | | | | |
| 2 HP | | 200/400 V | | 6.62/3.3 A | | 2880 rpm | |
| Eff. 81.3% | | | | | | | |