

DATA SHEET

Premium Efficiency Motor: **PEWWE5-18-184TC**

60 Hz

WorldWide Electric Corporation

1 (800) 808-2131

Worldwideelectric.net



Document Generated: 14-Oct-2024
Document ID:

Customer:

MOTOR INFORMATION	
HP	5
RPM	1800
Phase	3
Frequency	60 Hz
Voltage	230/460 V
Frame Size	184TC
Enclosure	TEFC
Degree of Protection	IP55
Service Factor	1.25
Poles	4
Full Load Speed	1755
Insulation Class	F
Temp Rise	80°C
NEMA Code Letter	J
Duty Cycle	S1 / Continuous
Slip	2.50%
NEMA Design	B
Moment of Inertia	0.313 lb.ft.^2
Locked Rotor Time (Hot)	16 seconds
Sound Pressure Level	63 dB(A)
Number of Starts	2 Cold/ 1 Hot
Max Ambient Temperature	40°C
Max Elevation	1000 m.a.s.l (3300 f.a.s.l)
Mounting	F1
Rotation	Bi-Directional
Area of Classification	Class 1 Division 2 Groups A,B,C,D T3C(160°C)
Inverter Rating	10:1 CT / 20:1 VT PWM Type
Standard	NEMA MG-1
Approvals	CSA-US, CE

EFFICIENCY/POWER FACTOR		
LOAD	EFF	P. F.
100%	89.5 %	0.83
75%	90.0 %	0.77
50%	89.2 %	0.66

TORQUE		
FULL LOAD	LRT	BDT
15 lb.ft.	200 %	280 %

AMPERAGE INFORMATION		
	230V	460V
Full Load Amps	12.6A	6.3A
Locked Rotor Amps	92A	46A
No Load Current	5.7A	2.85A
Usable at 208V	13.9A	

BEARING INFORMATION	
DE Bearing	6206ZZ C3
ODE Bearing	6206ZZ C3
Grease Type	--
DE Regreasing Interval	- Hours
ODE Regreasing Interval	- Hours

ADDITIONAL DATA	
F2 Suitable	No
Shaft Material	1045 Carbon Steel
Connection Diagram	230 / 460 V - 9 Lead Y
Approximate Weight	102 lbs.

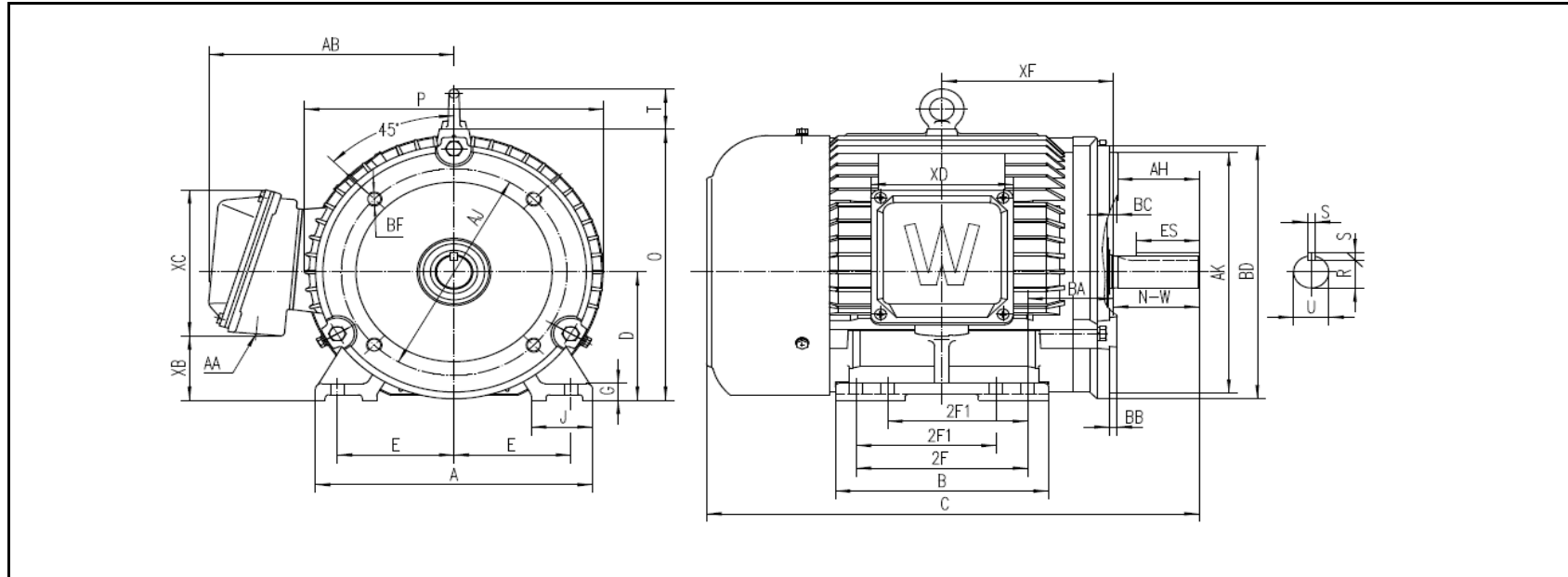
MOTOR DRAWING

Premium Efficiency Motor: **PEWWE5-18-184TC**

WorldWide Electric Corporation

1 (800) 808-2131

Worldwideelectric.net



DIMENSION - INCHES

MOUNTING					A	B	C	D	G	J	P	O	T	AB
E	2F1	2F	H	BA										
3.75	4.5	5.5	0.41	2.75	8.898	6.852	15.827	4.5	0.591	1.969	9.606	9.5	1.417	7.876

SHAFT & KEY					
S	ES	R	N-W	AH	U
0.25	1.78	0.986	2.75	2.62	1.125

TERMINAL BOX				
AA	XB	XC	XD	XF
1	2.26	5.124	4.567	5.509

FLANGE					
AJ	AK	BB	BD	BF	BC
7.25	8.5	0.25	8.86	1/2-13	0.12

PERFORMANCE CURVES

WorldWide Electric Corporation

1 (800) 808-2131

Worldwideelectric.net



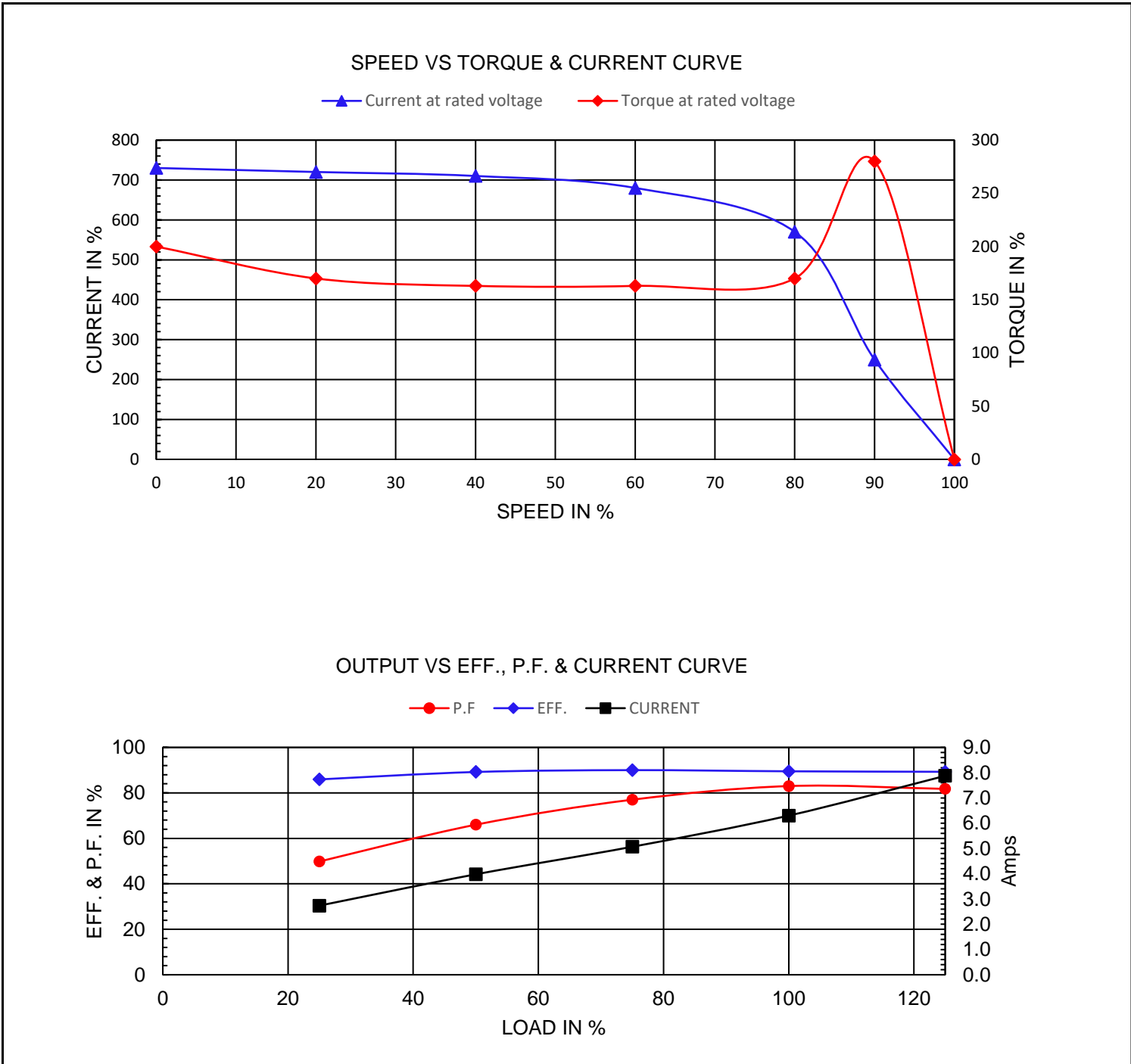
Premium Efficiency Motor:

PEWWE5-18-184TC

Document Generated: 14-Oct-2024
Document ID:

Customer:

Motor Type	PEWWE		FL Speed	1755	
Output Rating (HP)	5		LRT (%FLT)	200	
Full Load Torque	15	lb.ft	460 volt FLA	6.3	
Rotor Wk^2	0.313	lb-ft^2	230 volt FLA	12.6	
			BDT (%FLT)	280	



NAMEPLATE / WIRING

WorldWide Electric Corporation

1 (800) 808-2131

Worldwideelectric.net



WORLDWIDE
ELECTRIC CORPORATION

Premium Efficiency Motor:

PEWWE5-18-184TC

Document Generated: 14-Oct-2024
Document ID:

Customer:

SAMPLE NAMEPLATE DATA

		3-PHASE INDUCTION MOTOR		259277			
Model		Ser No.		Low Voltage	50Hz		
HP		S.F.		Rating	°C Amb Cont	1.0SF	
Frame		P.F.		IP		HP	
Voltage	230/460	Hz		Code		%	
Amps		RPM		Ins Cl		V	
Nom. Eff.	FL	% 3/4	%	10:1 CT	20:1 VT	PWM	VFD
Class I DIV. 2 Groups A B C D		Amb.40°C	T3C(160°C)	Date			
Class I Zone 2 IIC		Amb.55°C	T3A(180°C)				
Grease type:	DE Bmg						
	ODE Bmg						
WorldWide Electric Corporation							

Model	PEWWE5-18-184TC						
HP	5	S.F.	1.25	IP	IP55	Encl	TEFC
Frame	184TC	P.F.	0.83	Code	J	Type	
Voltage	230/460 V	Hz	60 Hz	Ins Cl	F	Ambient 40°C	
Amps	12.6/6.3	RPM	1755	Design	B	DE Brng	6206ZZ C3
Nom. Eff.	FL	89.5%	3/4	90.0%	ODE Brng 6206ZZ C3		
Class 1 Division 2 Groups A,B,C,D					T3C(160°C)	Grease type: --	
50Hz							
5 HP		200/400 V		15/7.49 A		1450 rpm	
Eff. 86.6%							