

DATA SHEET

Premium Efficiency Motor: **PEWWE7.5-18-213TC**

60 Hz

WorldWide Electric Corporation

1 (800) 808-2131

Worldwideelectric.net



Document Generated: 14-Oct-2024
Document ID:

Customer:

MOTOR INFORMATION

| | |
|-------------------------|--|
| HP | 7.5 |
| RPM | 1800 |
| Phase | 3 |
| Frequency | 60 Hz |
| Voltage | 230/460 V |
| Frame Size | 213TC |
| Enclosure | TEFC |
| Degree of Protection | IP55 |
| Service Factor | 1.25 |
| Poles | 4 |
| Full Load Speed | 1760 |
| Insulation Class | F |
| Temp Rise | 80°C |
| NEMA Code Letter | H |
| Duty Cycle | S1 / Continuous |
| Slip | 2.22% |
| NEMA Design | B |
| Moment of Inertia | 0.652 lb.ft.^2 |
| Locked Rotor Time (Hot) | 12 seconds |
| Sound Pressure Level | 63 dB(A) |
| Number of Starts | 2 Cold/ 1 Hot |
| Max Ambient Temperature | 40°C |
| Max Elevation | 1000 m.a.s.l (3300 f.a.s.l) |
| Mounting | F1 |
| Rotation | Bi-Directional |
| Area of Classification | Class 1 Division 2 Groups A,B,C,D T3C(160°C) |
| Inverter Rating | 10:1 CT / 20:1 VT PWM Type |
| Standard | NEMA MG-1 |
| Approvals | CSA-US, CE |

EFFICIENCY/POWER FACTOR

| LOAD | EFF | P. F. |
|------|--------|-------|
| 100% | 91.7 % | 0.83 |
| 75% | 91.8 % | 0.78 |
| 50% | 91.2 % | 0.67 |

TORQUE

| FULL LOAD | LRT | BDT |
|-------------|-------|-------|
| 22.4 lb.ft. | 170 % | 280 % |

AMPERAGE INFORMATION

| | 230V | 460V |
|-------------------|-------|-------|
| Full Load Amps | 18.5A | 9.23A |
| Locked Rotor Amps | 127A | 63.5A |
| No Load Current | 8A | 4A |
| Usable at 208V | 20.4A | |

BEARING INFORMATION

| | |
|-------------------------|-----------|
| DE Bearing | 6308ZZ C3 |
| ODE Bearing | 6207ZZ C3 |
| Grease Type | -- |
| DE Regreasing Interval | - Hours |
| ODE Regreasing Interval | - Hours |

ADDITIONAL DATA

| | |
|--------------------|------------------------|
| F2 Suitable | No |
| Shaft Material | 1045 Carbon Steel |
| Connection Diagram | 230 / 460 V - 9 Lead Δ |
| Approximate Weight | 158 lbs. |

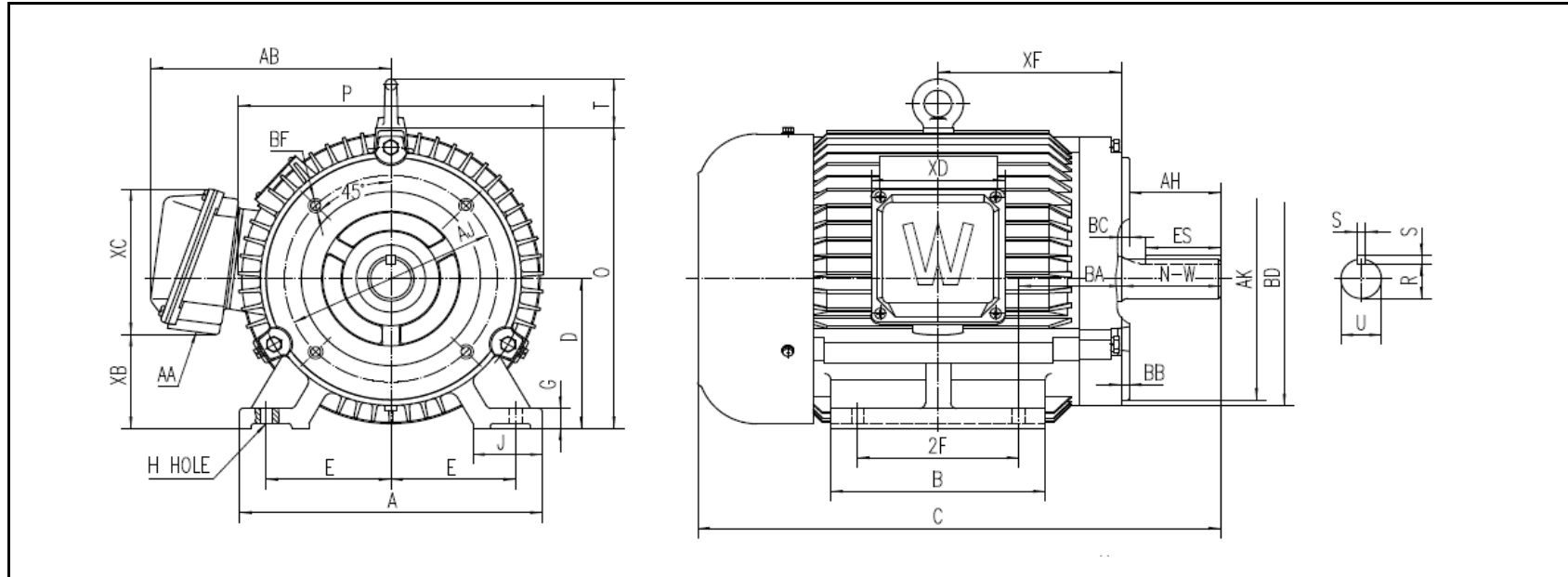
MOTOR DRAWING

Premium Efficiency Motor: **PEWWE7.5-18-213TC**

WorldWide Electric Corporation

1 (800) 808-2131

Worldwideelectric.net



DIMENSION - INCHES

| MOUNTING | | | | | A | B | C | D | G | J | P | O | T | AB |
|----------|-----|-----|------|-----|--------|-------|--------|------|-------|-------|--------|--------|-------|-------|
| E | 2F1 | 2F | H | BA | | | | | | | | | | |
| 4.25 | -- | 5.5 | 0.41 | 3.5 | 10.315 | 7.323 | 17.823 | 5.25 | 0.709 | 2.362 | 10.389 | 10.526 | 1.732 | 8.178 |

| SHAFT & KEY | | | | | |
|-------------|------|-------|------|------|-------|
| S | ES | R | N-W | AH | U |
| 0.312 | 2.41 | 1.201 | 3.38 | 3.12 | 1.375 |

| TERMINAL BOX | | | | |
|--------------|-------|-------|-------|-------|
| AA | XB | XC | XD | XF |
| 1 | 3.296 | 5.098 | 4.567 | 6.254 |

| FLANGE | | | | | |
|--------|-----|------|-------|--------|------|
| AJ | AK | BB | BD | BF | BC |
| 7.25 | 8.5 | 0.25 | 8.898 | 1/2-13 | 0.25 |

PERFORMANCE CURVES

WorldWide Electric Corporation

1 (800) 808-2131

Worldwideelectric.net



Premium Efficiency Motor:

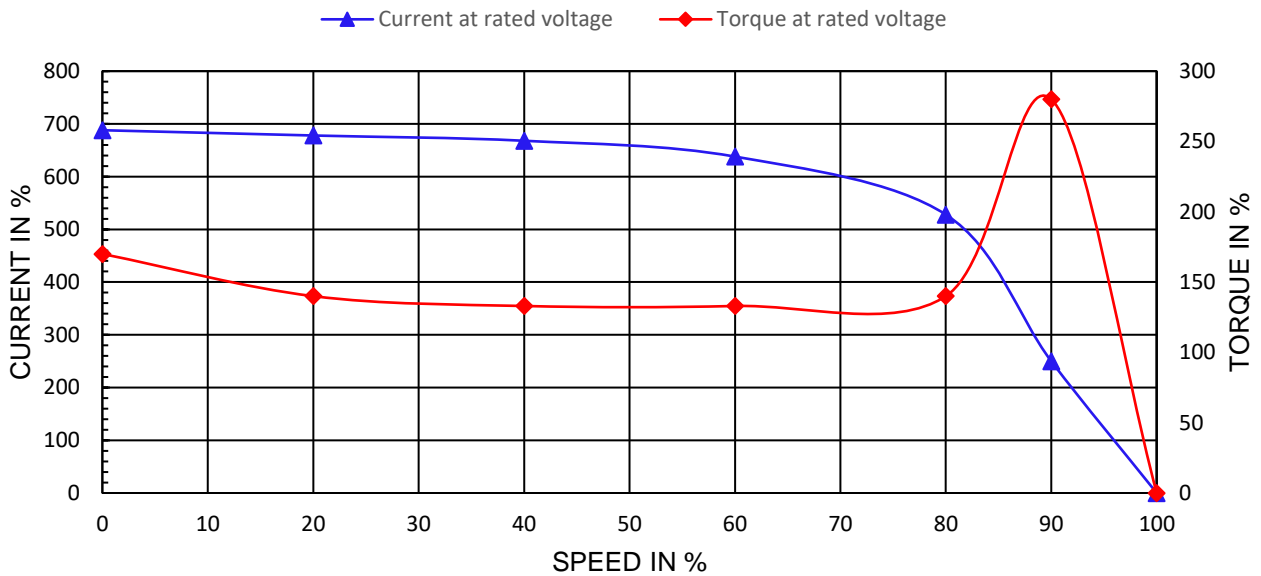
PEWWE7.5-18-213TC

Document Generated: 14-Oct-2024
 Document ID:

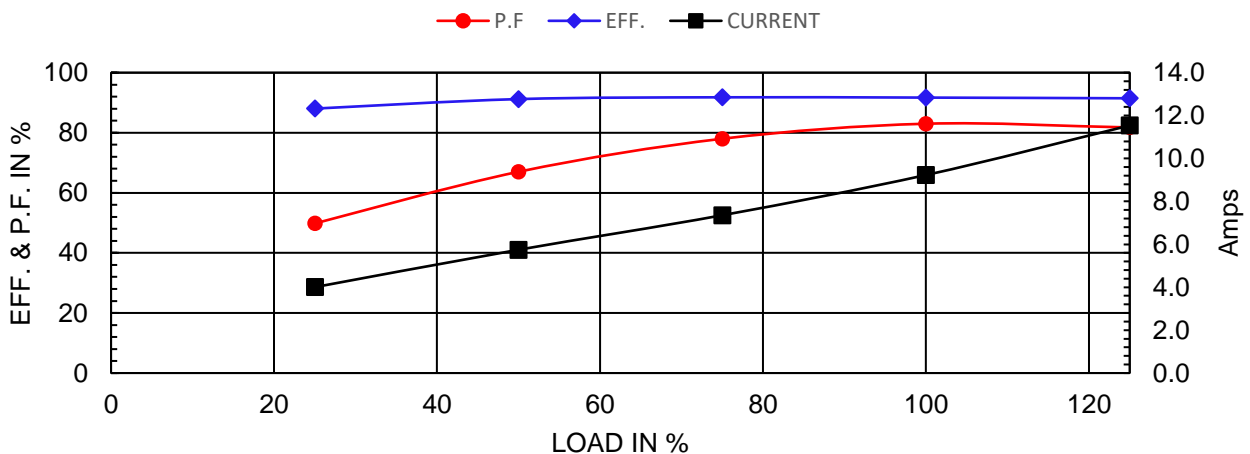
Customer:

| | | | | | |
|--------------------|-------|---------|------------|------|-------------------|
| Motor Type | PEWWE | | FL Speed | 1760 | |
| Output Rating (HP) | 7.5 | | LRT (%FLT) | 170 | 460 volt FLA 9.23 |
| Full Load Torque | 22.4 | lb.ft | BDT (%FLT) | 280 | 230 volt FLA 18.5 |
| Rotor Wk^2 | 0.652 | lb-ft^2 | | | |

SPEED VS TORQUE & CURRENT CURVE



OUTPUT VS EFF., P.F. & CURRENT CURVE



NAMEPLATE / WIRING

WorldWide Electric Corporation

1 (800) 808-2131

Worldwideelectric.net



Premium Efficiency Motor:

PEWWE7.5-18-213TC

Document Generated: 14-Oct-2024
Document ID:

Customer:

SAMPLE NAMEPLATE DATA

| | | | | | |
|---------------------------------------|---------|--------------------------------|------------|--|-----------------------|
| | | 3-PHASE INDUCTION MOTOR | | 259277 | |
| Model | | Ser No. | | Low Voltage 50Hz 1.0SF HP % V A rpm | |
| HP | | S.F. | | Rating | °C Amb Cont |
| Frame | | P.F. | | IP | Encl |
| Voltage | 230/460 | Hz | | Code | Type |
| Amps | | RPM | | Ins Cl | Design |
| Nom.Eff. | FL | % 3/4 | % | 10:1 CT | 20:1 VT PWM VFD 1.0SF |
| Class I DIV. 2 Groups A B C D | | Amb.40°C | T3C(160°C) | Date | |
| Class I Zone 2 IIC | | Amb.55°C | T3A(180°C) | | |
| Grease type: | DE Brng | | ODE Brng | | |
| WorldWide Electric Corporation | | | | | |

| | | | | | | | |
|-----------------------------------|-------------------|-----------|-------|-----------|------------|--------------|-----------|
| Model | PEWWE7.5-18-213TC | | | | | | |
| HP | 7.5 | S.F. | 1.25 | IP | IP55 | Encl | TEFC |
| Frame | 213TC | P.F. | 0.83 | Code | H | Type | |
| Voltage | 230/460 V | Hz | 60 Hz | Ins Cl | F | Ambient | 40°C |
| Amps | 18.5/9.23 | RPM | 1760 | Design | B | DE Brng | 6308ZZ C3 |
| Nom.Eff. | FL | 91.7% | 3/4 | 91.8% | | ODE Brng | 6207ZZ C3 |
| Class 1 Division 2 Groups A,B,C,D | | | | | T3C(160°C) | Grease type: | -- |
| 50Hz | | | | | | | |
| 7.5 HP | | 200/400 V | | 22.2/11 A | | 1455 rpm | |
| Eff. 87.7% | | | | | | | |