

DATA SHEET

Premium Efficiency Motor: **PEWWE7.5-36-184TC**

60 Hz

WorldWide Electric Corporation

1 (800) 808-2131

Worldwideelectric.net



Document Generated: 14-Oct-2024
Document ID:

Customer:

MOTOR INFORMATION

HP	7.5
RPM	3600
Phase	3
Frequency	60 Hz
Voltage	230/460 V
Frame Size	184TC
Enclosure	TEFC
Degree of Protection	IP55
Service Factor	1.15
Poles	2
Full Load Speed	3485
Insulation Class	F
Temp Rise	80°C
NEMA Code Letter	H
Duty Cycle	S1 / Continuous
Slip	3.19%
NEMA Design	B
Moment of Inertia	0.212 lb.ft.^2
Locked Rotor Time (Hot)	4.5 seconds
Sound Pressure Level	65 dB(A)
Number of Starts	2 Cold/ 1 Hot
Max Ambient Temperature	40°C
Max Elevation	1000 m.a.s.l (3300 f.a.s.l)
Mounting	F1
Rotation	Bi-Directional
Area of Classification	Class 1 Division 2 Groups A,B,C,D T3C(160°C)
Inverter Rating	10:1 CT / 20:1 VT PWM Type
Standard	NEMA MG-1
Approvals	CSA-US, CE

EFFICIENCY/POWER FACTOR

LOAD	EFF	P. F.
100%	89.5 %	0.89
75%	90.8 %	0.87
50%	91.1 %	0.78

TORQUE

FULL LOAD	LRT	BDT
11.3 lb.ft.	210 %	300 %

AMPERAGE INFORMATION

	230V	460V
Full Load Amps	17.6A	8.82A
Locked Rotor Amps	127A	63.5A
No Load Current	5.6A	2.8A
Usable at 208V	19.5A	

BEARING INFORMATION

DE Bearing	6206ZZ C3
ODE Bearing	6206ZZ C3
Grease Type	--
DE Regreasing Interval	- Hours
ODE Regreasing Interval	- Hours

ADDITIONAL DATA

F2 Suitable	Yes
Shaft Material	1045 Carbon Steel
Connection Diagram	230 / 460 V - 9 Lead Δ
Approximate Weight	105 lbs.

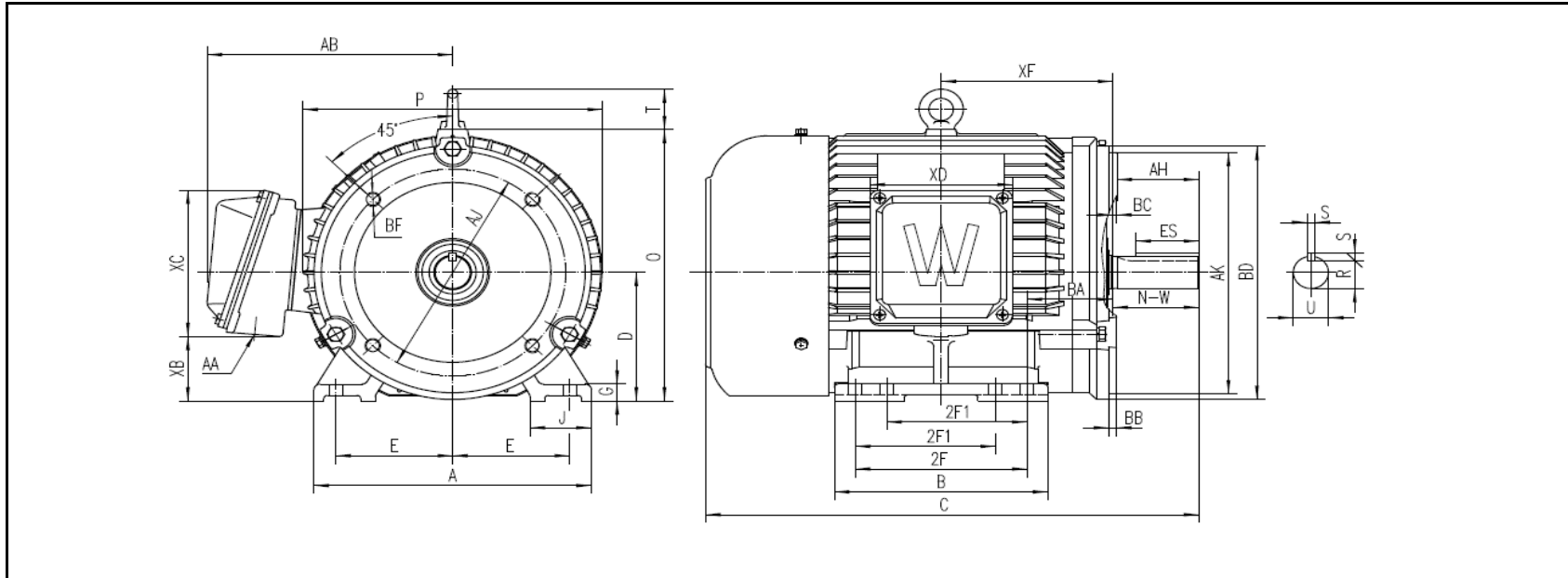
MOTOR DRAWING

Premium Efficiency Motor: **PEWWE7.5-36-184TC**

WorldWide Electric Corporation

1 (800) 808-2131

Worldwideelectric.net



DIMENSION - INCHES

MOUNTING					A	B	C	D	G	J	P	O	T	AB
E	2F1	2F	H	BA										
3.75	4.5	5.5	0.41	2.75	8.898	6.852	15.827	4.5	0.591	1.969	9.606	9.5	1.417	7.876

SHAFT & KEY					
S	ES	R	N-W	AH	U
0.25	1.78	0.986	2.75	2.62	1.125

TERMINAL BOX				
AA	XB	XC	XD	XF
1	2.26	5.124	4.567	5.509

FLANGE					
AJ	AK	BB	BD	BF	BC
7.25	8.5	0.25	8.86	1/2-13	0.12

PERFORMANCE CURVES

WorldWide Electric Corporation

1 (800) 808-2131

Worldwideelectric.net



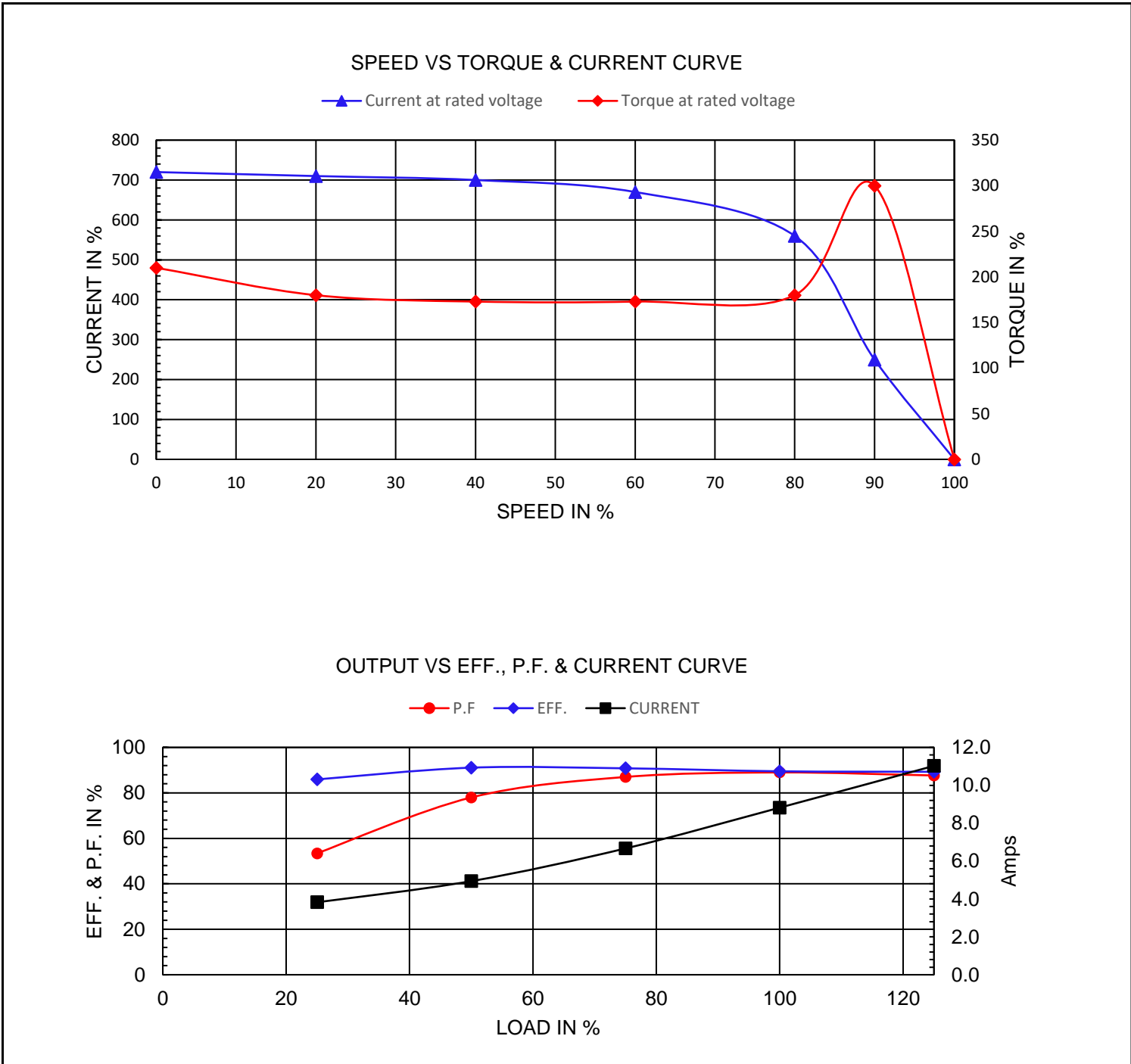
Premium Efficiency Motor:

PEWWE7.5-36-184TC

Document Generated: 14-Oct-2024
 Document ID:

Customer:

Motor Type	PEWWE		FL Speed	3485	
Output Rating (HP)	7.5		LRT (%FLT)	210	
Full Load Torque	11.3	lb.ft	460 volt FLA	8.82	
Rotor Wk^2	0.212	lb-ft^2	BDT (%FLT)	300	230 volt FLA 17.6



NAMEPLATE / WIRING

WorldWide Electric Corporation

1 (800) 808-2131

Worldwideelectric.net



WorldWide
ELECTRIC CORPORATION

Premium Efficiency Motor:

PEWWE7.5-36-184TC

Document Generated: 14-Oct-2024
Document ID:

Customer:

SAMPLE NAMEPLATE DATA

		3-PHASE INDUCTION MOTOR		259277			
Model		Ser No.		Low Voltage			
HP		S.F.		Rating	°C Amb Cont	6 4 5	50Hz
Frame		P.F.		IP	Encl	7 8 9	1.0SF
Voltage	230/460	Hz		Code	Type	1 2 3	HP
Amps		RPM		Ins Cl	Design	L1 L2 L3	%
Nom.Eff.	FL	% 3/4	%	10:1 CT 20:1 VT PWM VFD	1.0SF		V
Class I DIV. 2 Groups A B C D		Amb.40°C	T3C(160°C)			4 5 6	A
Class I Zone 2 IIC		Amb.55°C	T3A(180°C)	Date		7 8 9	rpm
Grease type:		DE Brng				1 2 3	
		ODE Brng				L1 L2 L3	
WorldWide Electric Corporation							

Model	PEWWE7.5-36-184TC						
HP	7.5	S.F.	1.15	IP	IP55	Encl	TEFC
Frame	184TC	P.F.	0.89	Code	H	Type	
Voltage	230/460 V	Hz	60 Hz	Ins Cl	F	Ambient	40°C
Amps	17.6/8.82	RPM	3485	Design	B	DE Brng	6206ZZ C3
Nom.Eff.	FL	89.5%	3/4	90.8%		ODE Brng	6206ZZ C3
Class 1 Division 2 Groups A,B,C,D					T3C(160°C)	Grease type: --	
50Hz							
7.5 HP		200/400 V		20.9/10 A		2870 rpm	
Eff. --%							