

# DATA SHEET

Premium Efficiency Motor: **PEWWE10-12-256TC**

**60 Hz**

WorldWide Electric Corporation

1 (800) 808-2131

Worldwideelectric.net



Document Generated: 14-Oct-2024  
Document ID:

Customer:

MOTOR INFORMATION	
HP	10
RPM	1200
Phase	3
Frequency	60 Hz
Voltage	230/460 V
Frame Size	256TC
Enclosure	TEFC
Degree of Protection	IP55
Service Factor	1.25
Poles	6
Full Load Speed	1175
Insulation Class	F
Temp Rise	80°C
NEMA Code Letter	H
Duty Cycle	S1 / Continuous
Slip	2.10%
NEMA Design	B
Moment of Inertia	2.27 lb.ft.^2
Locked Rotor Time (Hot)	12 seconds
Sound Pressure Level	68 dB(A)
Number of Starts	2 Cold/ 1 Hot
Max Ambient Temperature	40°C
Max Elevation	1000 m.a.s.l (3300 f.a.s.l)
Mounting	F1
Rotation	Bi-Directional
Area of Classification	Class 1 Division 2 Groups A,B,C,D T3C(160°C)
Inverter Rating	10:1 CT / 20:1 VT PWM Type
Standard	NEMA MG-1
Approvals	CSA-US, CE

EFFICIENCY/POWER FACTOR		
LOAD	EFF	P. F.
100%	91.0 %	0.82
75%	91.2 %	0.76
50%	90.6 %	0.65

TORQUE		
FULL LOAD	LRT	BDT
44.7 lb.ft.	180 %	280 %

AMPERAGE INFORMATION		
	230V	460V
Full Load Amps	25.1A	12.5A
Locked Rotor Amps	162A	81A
No Load Current	11.6A	5.8A
Usable at 208V	27.8A	

BEARING INFORMATION	
DE Bearing	6309 C3
ODE Bearing	6209 C3
Grease Type	SKF LGHP 2
DE Regreasing Interval	7500 Hours
ODE Regreasing Interval	7500 Hours

ADDITIONAL DATA	
F2 Suitable	Yes
Shaft Material	1045 Carbon Steel
Connection Diagram	230 / 460 V - 9 Lead Δ
Approximate Weight	258 lbs.

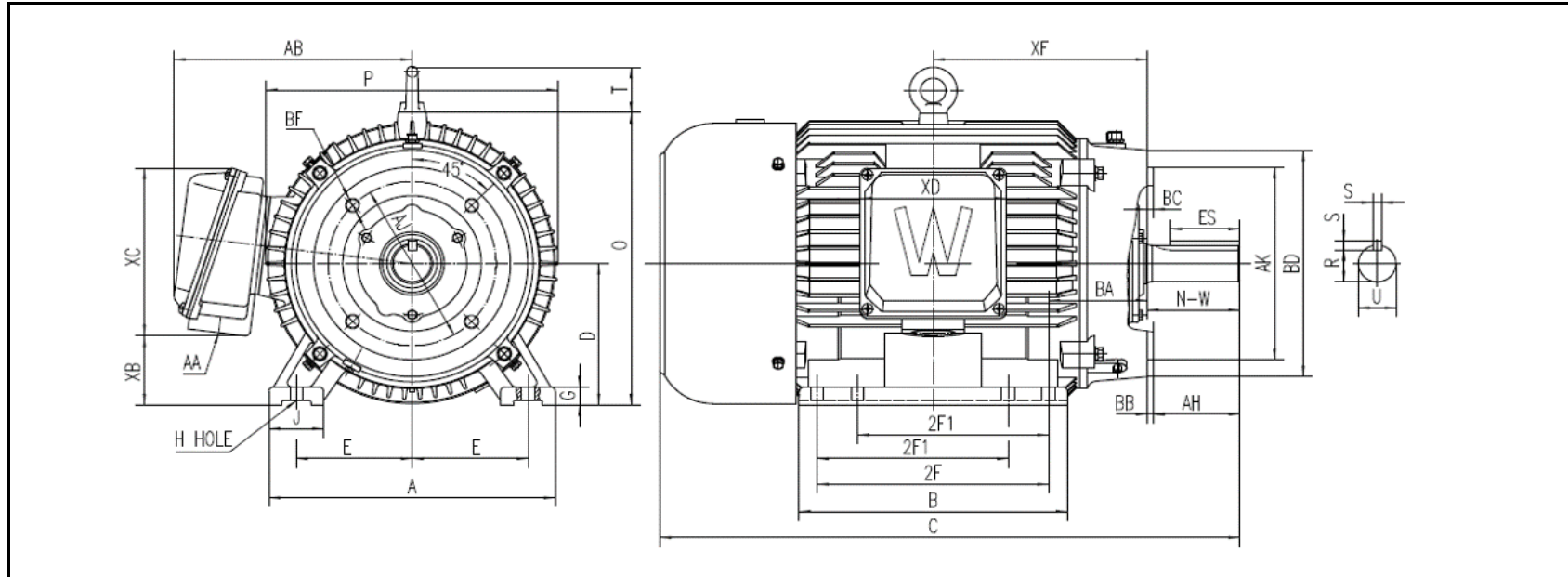
# MOTOR DRAWING

Premium Efficiency Motor: **PEWWE10-12-256TC**

WorldWide Electric Corporation

1 (800) 808-2131

Worldwideelectric.net



## DIMENSION - INCHES

MOUNTING					A	B	C	D	G	J	P	O	T	AB
E	2F1	2F	H	BA										
5	8.25	10	0.53	4.25	12.362	11.575	25.041	6.25	0.787	2.362	12.598	12.894	2.006	10.276

SHAFT & KEY					
S	ES	R	N-W	AH	U
0.375	2.91	1.416	4	3.75	1.625

TERMINAL BOX				
AA	XB	XC	XD	XF
1 1/2	3.047	7.406	6.299	9.23

FLANGE					
AJ	AK	BB	BD	BF	BC
7.25	8.5	0.25	10	1/2-13	0.25

# PERFORMANCE CURVES

WorldWide Electric Corporation

1 (800) 808-2131

Worldwideelectric.net



Premium Efficiency Motor:

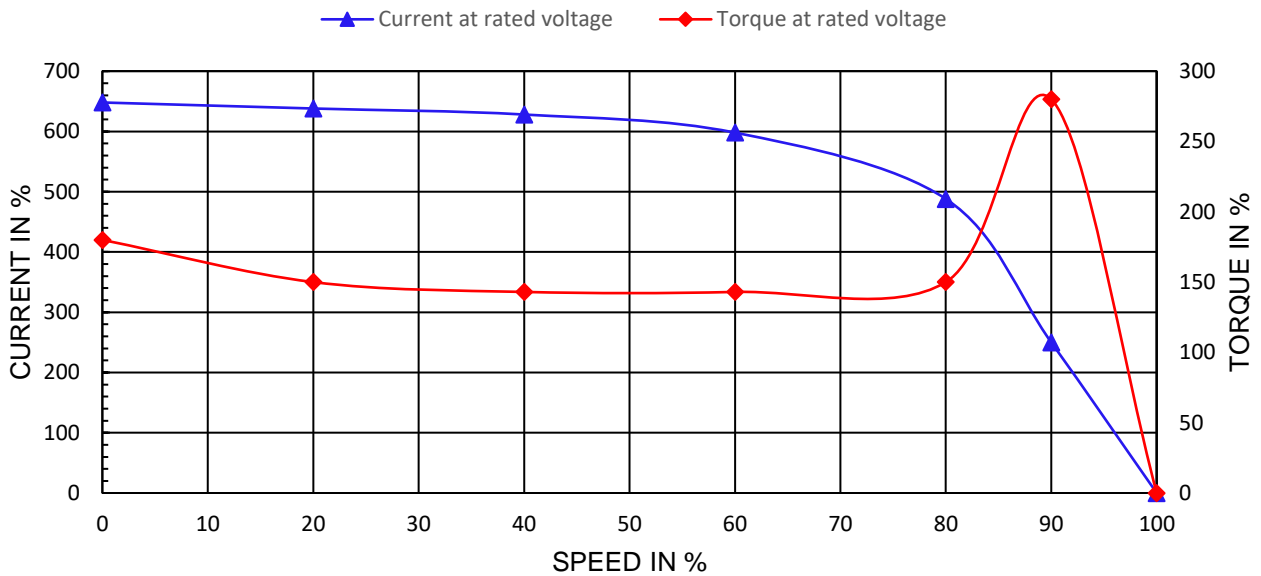
**PEWWE10-12-256TC**

Document Generated: 14-Oct-2024  
 Document ID:

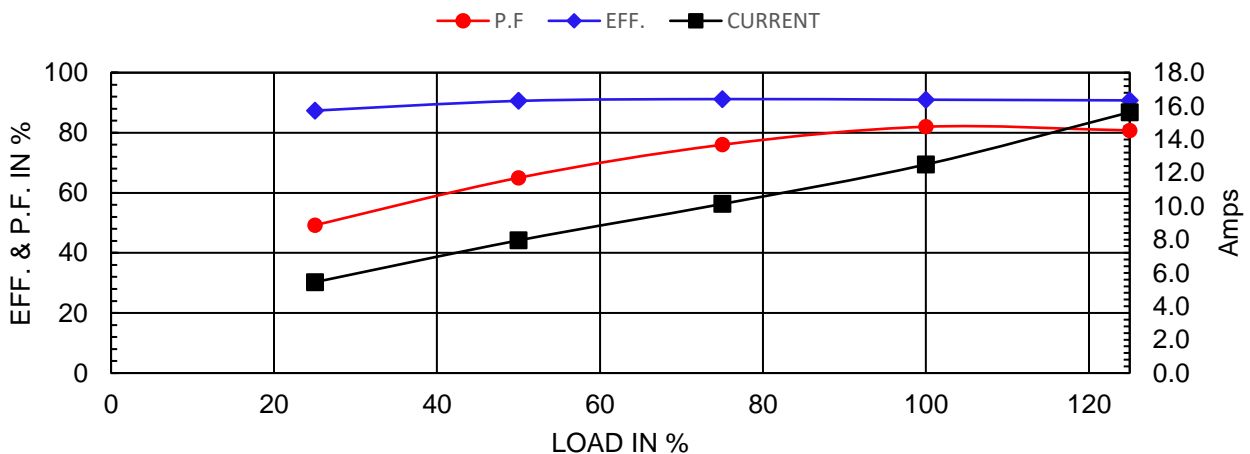
Customer:

Motor Type	PEWWE		FL Speed	1175	
Output Rating (HP)	10		LRT (%FLT)	180	460 volt FLA 12.5
Full Load Torque	44.7	lb.ft	BDT (%FLT)	280	230 volt FLA 25.1
Rotor Wk^2	2.27	lb-ft^2			

SPEED VS TORQUE & CURRENT CURVE



OUTPUT VS EFF., P.F. & CURRENT CURVE



# NAMEPLATE / WIRING

WorldWide Electric Corporation

1 (800) 808-2131

Worldwideelectric.net



**WorldWide**  
ELECTRIC CORPORATION

Premium Efficiency Motor:

**PEWWE10-12-256TC**

Document Generated: 14-Oct-2024  
Document ID:

Customer:

## SAMPLE NAMEPLATE DATA

		<b>3-PHASE</b> <b>INDUCTION MOTOR</b>		259277 	
Model		Ser No.		Low Voltage 50Hz 1.0SF HP % V A rpm	
HP		S.F.		Rating	°C Amb Cont
Frame		P.F.		IP	Encl
Voltage	230/460	Hz		Code	Type
Amps		RPM		Ins Cl	Design
Nom.Eff.	FL	% 3/4	%	10:1 CT 20:1 VT PWM VFD	1.0SF
Class I DIV. 2 Groups A B C D		Amb.40°C	T3C(160°C)	Date	
Class I Zone 2 IIC		Amb.55°C	T3A(180°C)		
Grease type:	DE Brng		ODE Brng		
<b>WorldWide Electric Corporation</b>					

Model	PEWWE10-12-256TC						
HP	10	S.F.	1.25	IP	IP55	Encl	TEFC
Frame	256TC	P.F.	0.82	Code	H	Type	
Voltage	230/460 V	Hz	60 Hz	Ins Cl	F	Ambient	40°C
Amps	25.1/12.5	RPM	1175	Design	B	DE Brng	6309 C3
Nom.Eff.	FL	91.0%	3/4	91.2%		ODE Brng	6209 C3
Class 1 Division 2 Groups A,B,C,D					T3C(160°C)	Grease type: SKF LGHP 2	
50Hz							
10 HP		200/400 V		30.1/15 A		970 rpm	
Eff. 87.2%							