

# DATA SHEET

Premium Efficiency Motor: **PEWWE25-36-284TC**

**60 Hz**

WorldWide Electric Corporation

1 (800) 808-2131

Worldwideelectric.net



Document Generated: 14-Oct-2024  
Document ID:

Customer:

## MOTOR INFORMATION

HP	25
RPM	3600
Phase	3
Frequency	60 Hz
Voltage	230/460 V
Frame Size	284TC
Enclosure	TEFC
Degree of Protection	IP55
Service Factor	1.25
Poles	2
Full Load Speed	3550
Insulation Class	F
Temp Rise	80°C
NEMA Code Letter	G
Duty Cycle	S1 / Continuous
Slip	1.40%
NEMA Design	B
Moment of Inertia	1.4 lb.ft.^2
Locked Rotor Time (Hot)	19 seconds
Sound Pressure Level	75 dB(A)
Number of Starts	2 Cold/ 1 Hot
Max Ambient Temperature	40°C
Max Elevation	1000 m.a.s.l (3300 f.a.s.l)
Mounting	F1
Rotation	Bi-Directional
Area of Classification	Class 1 Division 2 Groups A,B,C,D T3C(160°C)
Inverter Rating	10:1 CT / 20:1 VT PWM Type
Standard	NEMA MG-1
Approvals	CSA-US, CE

## EFFICIENCY/POWER FACTOR

LOAD	EFF	P. F.
100%	91.7 %	0.87
75%	92.1 %	0.84
50%	91.5 %	0.77

## TORQUE

FULL LOAD	LRT	BDT
37 lb.ft.	150 %	230 %

## AMPERAGE INFORMATION

	230V	460V
Full Load Amps	58.7A	29.3A
Locked Rotor Amps	365A	182.5A
No Load Current	17A	8.5A
Usable at 208V	64.9A	

## BEARING INFORMATION

DE Bearing	6311 C3
ODE Bearing	6309 C3
Grease Type	SKF LGHP 2
DE Regreasing Interval	2400 Hours
ODE Regreasing Interval	3000 Hours

## ADDITIONAL DATA

F2 Suitable	Yes
Shaft Material	1045 Carbon Steel
Connection Diagram	230 / 460 V - 12 Lead Δ
Approximate Weight	332 lbs.

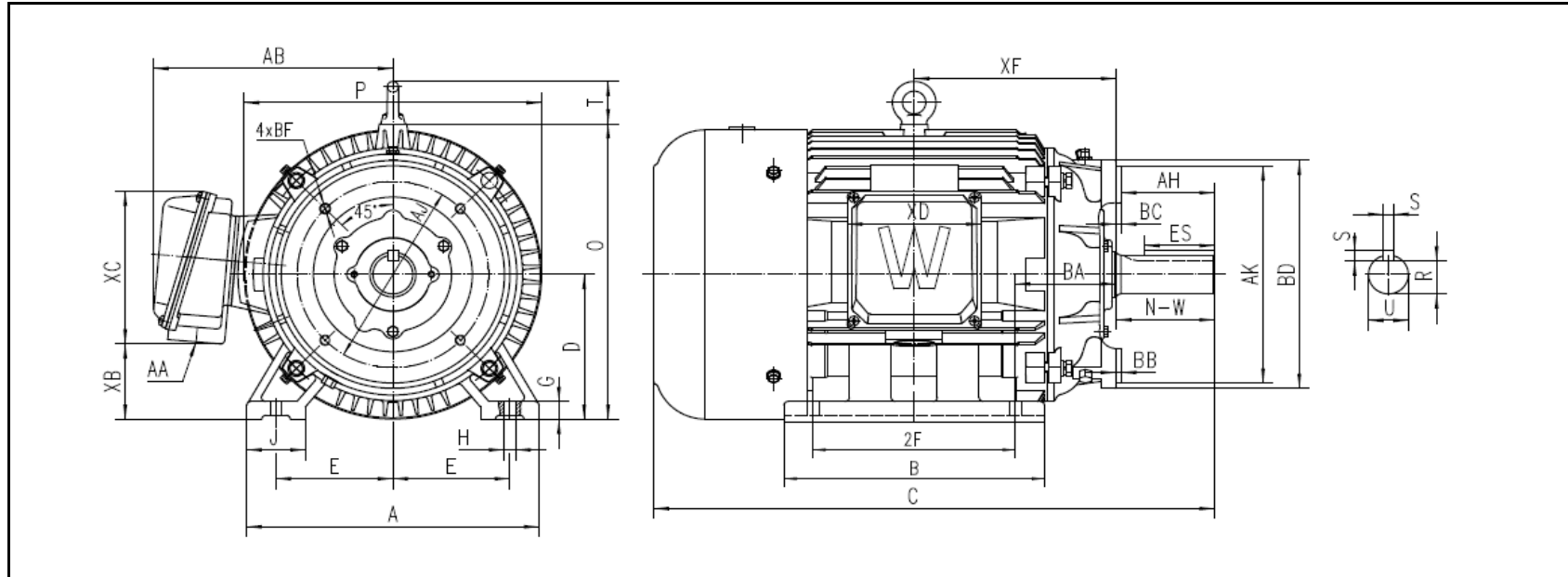
# MOTOR DRAWING

Premium Efficiency Motor: **PEWWE25-36-284TC**

WorldWide Electric Corporation

1 (800) 808-2131

Worldwideelectric.net



## DIMENSION - INCHES

MOUNTING					A	B	C	D	G	J	P	O	T	AB
E	2F1	2F	H	BA										
5.5	--	9.5	0.53	4.75	13.74	12.244	26.362	7	0.866	2.756	13.976	14.283	2.047	11.239

SHAFT & KEY					
S	ES	R	N-W	AH	U
0.5	3.28	1.591	4.62	4.38	1.875

TERMINAL BOX				
AA	XB	XC	XD	XF
1.5	3.645	7.381	6.299	9.5

FLANGE					
AJ	AK	BB	BD	BF	BC
9	10.5	0.25	11.024	1/2-13	0.25

# PERFORMANCE CURVES

WorldWide Electric Corporation

1 (800) 808-2131

Worldwideelectric.net

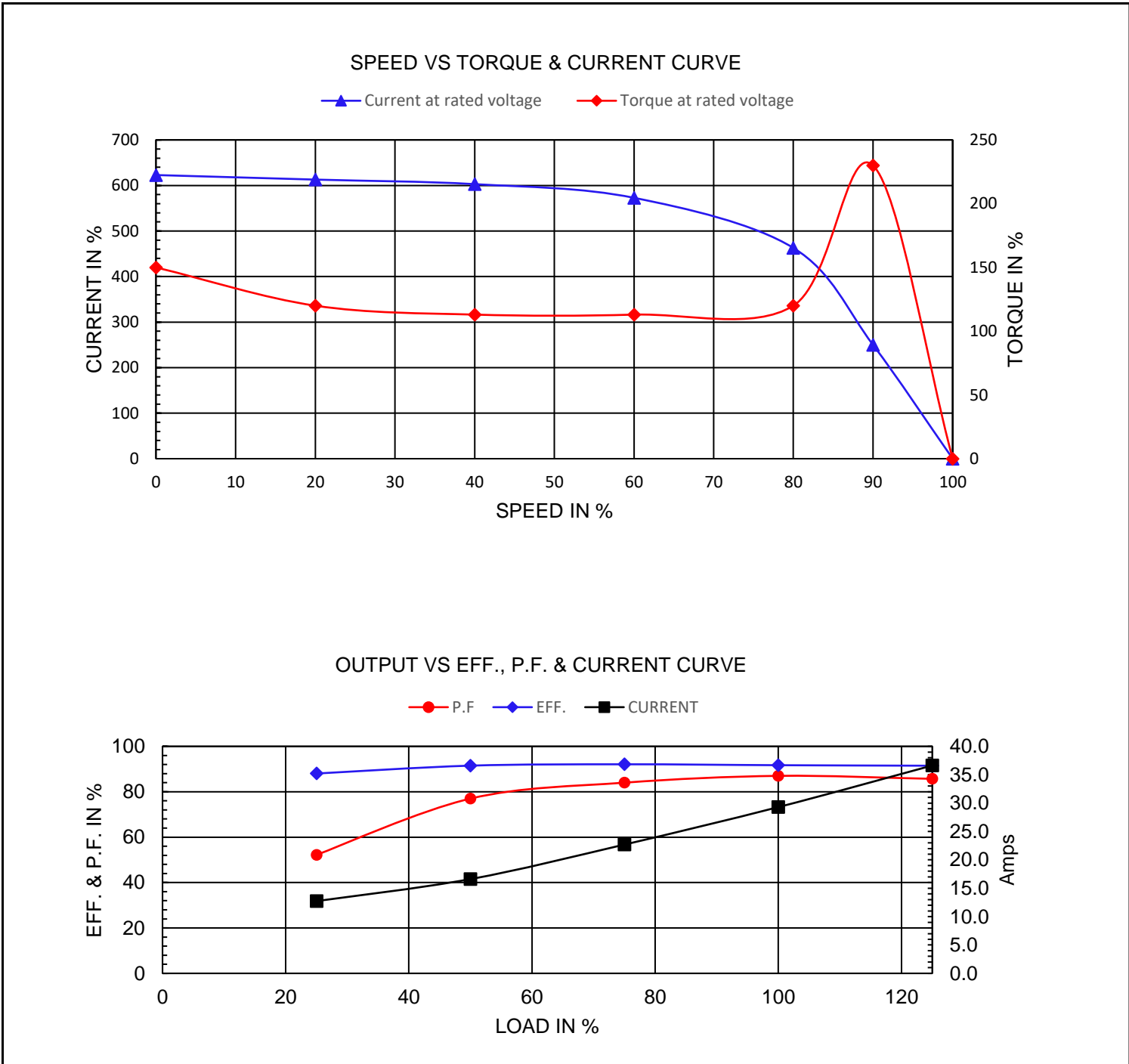


Premium Efficiency Motor:

**PEWWE25-36-284TC**

Document Generated:	14-Oct-2024	Customer:	
Document ID:			

Motor Type	PEWWE		
Output Rating (HP)	25	FL Speed	3550
Full Load Torque	37 lb.ft	LRT (%FLT)	150
		460 volt FLA	29.3
Rotor Wk <sup>2</sup>	1.4 lb-ft <sup>2</sup>	BDT (%FLT)	230
		230 volt FLA	58.7



# NAMEPLATE / WIRING

WorldWide Electric Corporation

1 (800) 808-2131

Worldwideelectric.net



Premium Efficiency Motor:

**PEWWE25-36-284TC**

Document Generated: 14-Oct-2024  
Document ID:

Customer:

## SAMPLE NAMEPLATE DATA

		<b>3-PHASE INDUCTION MOTOR</b>		259277 		50Hz 1.0SF HP % V A rpm
Model		Ser No.		Low Voltage 6 4 5 7 8 9 12 10 11 1 2 3 L1 L2 L3		
HP		S.F.		Rating	°C Amb Cont	
Frame		P.F.		IP	Encl	
Voltage	230/460	Hz		Code	Type	
Amps		RPM		Ins Cl	Design	
Nom.Eff.	FL	% 3/4	%	10:1 CT 20:1 VT PWM VFD 1.0SF		
Class I DIV. 2 Groups A B C D		Amb.40°C	T3C(160°C)			
Class I Zone 2 IIC		Amb.55°C	T3A(180°C)	Date		
Grease type: LGHP 2 (compatible with polyrex)		DE Brng ODE Brng				
<b>WorldWide Electric Corporation</b>						

Model	PEWWE25-36-284TC						
HP	25	S.F.	1.25	IP	IP55	Encl	TEFC
Frame	284TC	P.F.	0.87	Code	G	Type	
Voltage	230/460 V	Hz	60 Hz	Ins Cl	F	Ambient	40°C
Amps	58.7/23.5	RPM	3550	Design	B	DE Brng	6311 C3
Nom.Eff.	FL	91.7%	3/4	92.1%		ODE Brng	6309 C3
Class 1 Division 2 Groups A,B,C,D					T3C(160°C)	Grease type: SKF LGHP 2	
50Hz							
#N/A	HP	#N/A	#N/A	A	#N/A	rpm	
				Eff.	#N/A		