

# DATA SHEET

Premium Efficiency Motor: **PEWWE30-12-326TC**

**60 Hz**

WorldWide Electric Corporation

1 (800) 808-2131

Worldwideelectric.net



Document Generated: 14-Oct-2024  
Document ID:

Customer:

MOTOR INFORMATION	
HP	30
RPM	1200
Phase	3
Frequency	60 Hz
Voltage	230/460 V
Frame Size	326TC
Enclosure	TEFC
Degree of Protection	IP55
Service Factor	1.25
Poles	6
Full Load Speed	1185
Insulation Class	F
Temp Rise	80°C
NEMA Code Letter	G
Duty Cycle	S1 / Continuous
Slip	1.25%
NEMA Design	B
Moment of Inertia	8.45 lb.ft.^2
Locked Rotor Time (Hot)	14 seconds
Sound Pressure Level	70 dB(A)
Number of Starts	2 Cold/ 1 Hot
Max Ambient Temperature	40°C
Max Elevation	1000 m.a.s.l (3300 f.a.s.l)
Mounting	F1
Rotation	Bi-Directional
Area of Classification	Class 1 Division 2 Groups A,B,C,D T3C(160°C)
Inverter Rating	10:1 CT / 20:1 VT PWM Type
Standard	NEMA MG-1
Approvals	CSA-US, CE

EFFICIENCY/POWER FACTOR		
LOAD	EFF	P. F.
100%	93.0 %	0.78
75%	93.3 %	0.75
50%	92.9 %	0.64

TORQUE		
FULL LOAD	LRT	BDT
133 lb.ft.	150 %	210 %

AMPERAGE INFORMATION		
	230V	460V
Full Load Amps	77.4A	38.7A
Locked Rotor Amps	435A	217.5A
No Load Current	34A	17A
Usable at 208V	85.6A	

BEARING INFORMATION	
DE Bearing	6312 C3
ODE Bearing	6311 C3
Grease Type	SKF LGHP 2
DE Regreasing Interval	6000 Hours
ODE Regreasing Interval	6000 Hours

ADDITIONAL DATA	
F2 Suitable	Yes
Shaft Material	1045 Carbon Steel
Connection Diagram	230 / 460 V - 12 Lead Δ
Approximate Weight	534 lbs.

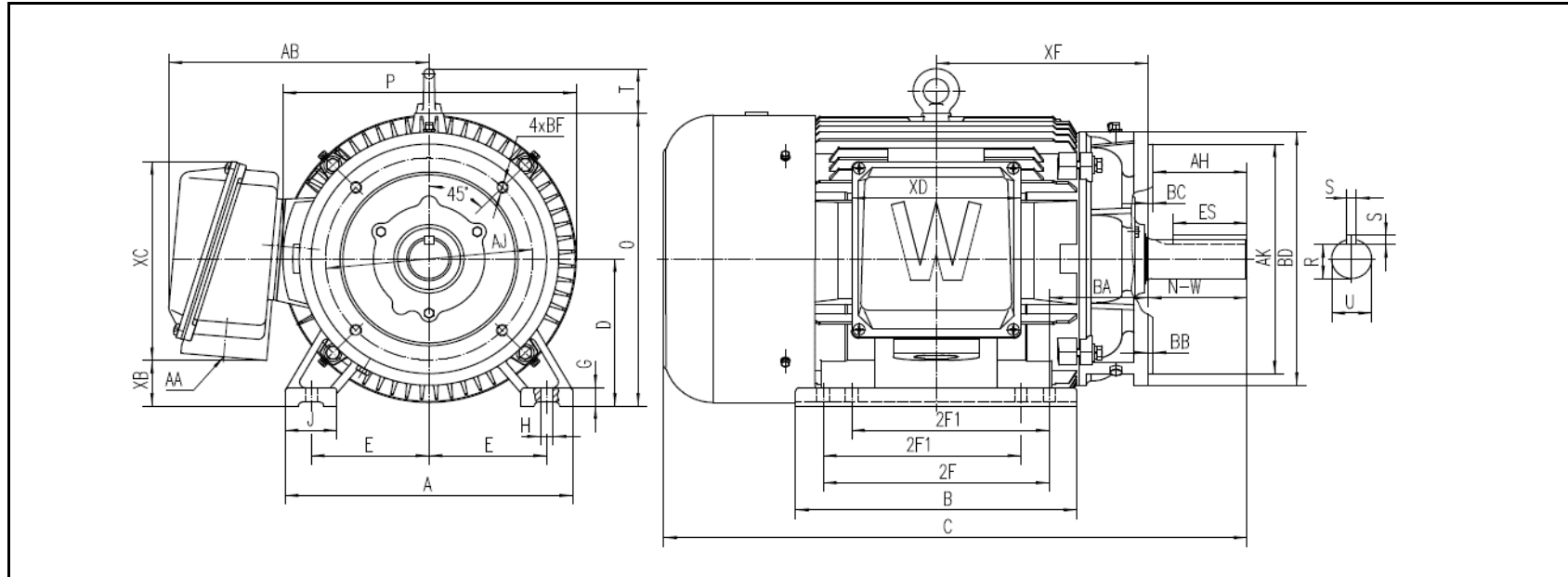
# MOTOR DRAWING

Premium Efficiency Motor: **PEWWE30-12-326TC**

WorldWide Electric Corporation

1 (800) 808-2131

Worldwideelectric.net



## DIMENSION - INCHES

MOUNTING					A	B	C	D	G	J	P	O	T	AB
E	2F1	2F	H	BA										
6.25	10.5	12	0.66	5.25	15.276	14.921	30.967	8	0.984	2.756	15.571	15.913	2.441	13.813

SHAFT & KEY					
S	ES	R	N-W	AH	U
0.5	3.91	1.845	5.25	5	2.125

TERMINAL BOX				
AA	XB	XC	XD	XF
2	2.471	10.826	8.976	11.248

FLANGE					
AJ	AK	BB	BD	BF	BC
11	12.5	0.25	13.78	5/8-11	0.25

# PERFORMANCE CURVES

WorldWide Electric Corporation

1 (800) 808-2131

Worldwideelectric.net



Premium Efficiency Motor:

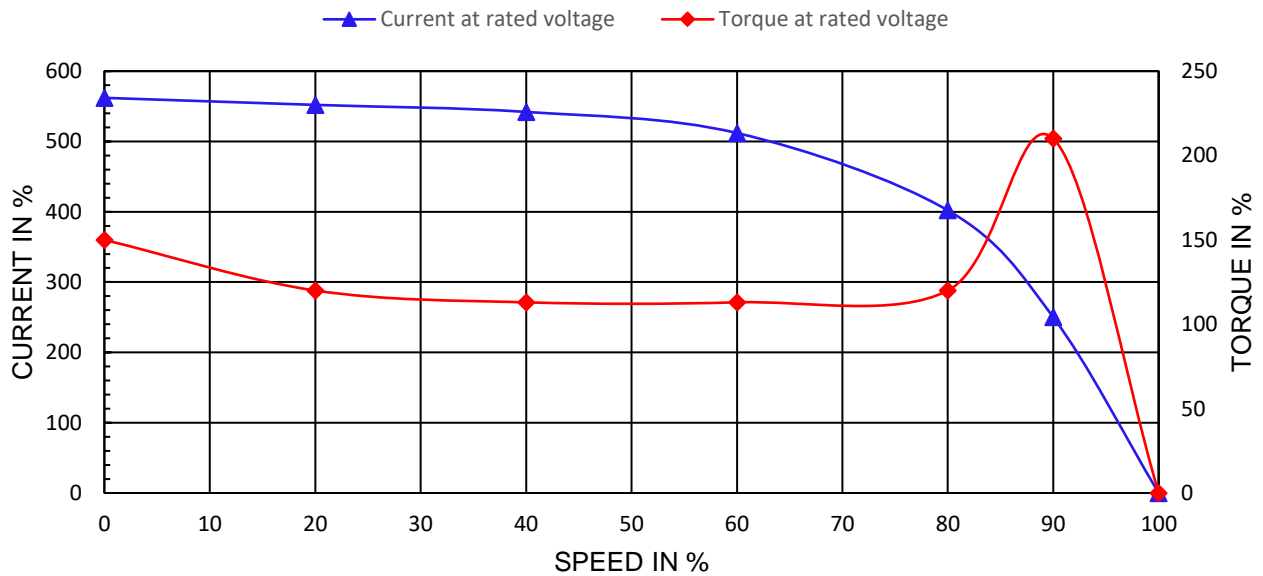
**PEWWE30-12-326TC**

Document Generated: 14-Oct-2024  
 Document ID:

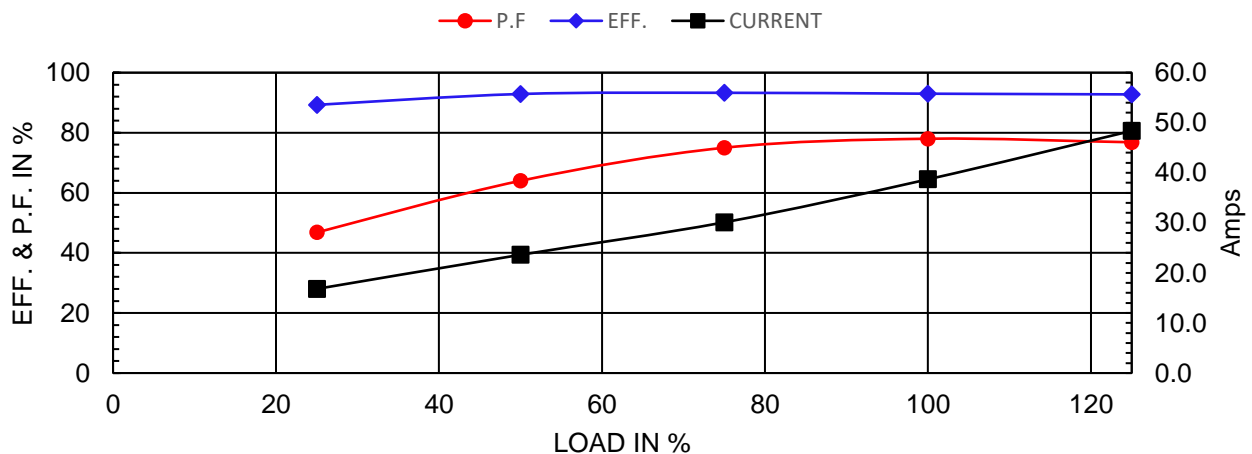
Customer:

Motor Type	PEWWE		FL Speed	1185	
Output Rating (HP)	30		LRT (%FLT)	150	460 volt FLA 38.7
Full Load Torque	133	lb.ft	BDT (%FLT)	210	230 volt FLA 77.4
Rotor Wk^2	8.45	lb-ft^2			

SPEED VS TORQUE & CURRENT CURVE



OUTPUT VS EFF., P.F. & CURRENT CURVE



# NAMEPLATE / WIRING

Premium Efficiency Motor: **PEWWE30-12-326TC**

WorldWide Electric Corporation

1 (800) 808-2131

Worldwideelectric.net



Document Generated: 14-Oct-2024  
Document ID:

Customer:

## SAMPLE NAMEPLATE DATA

		<b>3-PHASE INDUCTION MOTOR</b>		259277 		50Hz 1.0SF HP % V A rpm
Model		Ser No.		Low Voltage 6 4 5 7 8 9 12 10 11 1 2 3 L1 L2 L3		
HP		S.F.		Rating	°C Amb Cont	
Frame		P.F.		IP	Encl	
Voltage	230/460	Hz		Code	Type	
Amps		RPM		Ins Cl	Design	
Nom.Eff.	FL	% 3/4	%	10:1 CT 20:1 VT PWM VFD	1.0SF	
Class I DIV. 2 Groups A B C D		Amb.40°C				
Class I Zone 2 IIC		Amb.55°C		Date		
Grease type: LGHP 2 (compatible with polyrex)		DE Brng ODE Brng				
<b>WorldWide Electric Corporation</b>						

Model	PEWWE30-12-326TC						
HP	30	S.F.	1.25	IP	IP55	Encl	TEFC
Frame	326TC	P.F.	0.78	Code	G	Type	
Voltage	230/460 V	Hz	60 Hz	Ins Cl	F	Ambient	40°C
Amps	77.4/38.7	RPM	1185	Design	B	DE Brng	6312 C3
Nom.Eff.	FL	93.0%	3/4	93.3%		ODE Brng	6311 C3
Class 1 Division 2 Groups A,B,C,D						T3C(160°C)	
						Grease type: SKF LGHP 2	
50Hz							
30 HP		200/400 V		91.1/45 A		985 rpm	
Eff. 90.9%							