

DATA SHEET

Premium Efficiency Motor: **PEWWE25-36-284TSC**

60 Hz

WorldWide Electric Corporation

1 (800) 808-2131

Worldwideelectric.net



Document Generated: 14-Oct-2024
Document ID:

Customer:

MOTOR INFORMATION	
HP	25
RPM	3600
Phase	3
Frequency	60 Hz
Voltage	230/460 V
Frame Size	284TSC
Enclosure	TEFC
Degree of Protection	IP55
Service Factor	1.25
Poles	2
Full Load Speed	3550
Insulation Class	F
Temp Rise	80°C
NEMA Code Letter	G
Duty Cycle	S1 / Continuous
Slip	1.40%
NEMA Design	B
Moment of Inertia	1.4 lb.ft.^2
Locked Rotor Time (Hot)	19 seconds
Sound Pressure Level	75 dB(A)
Number of Starts	2 Cold/ 1 Hot
Max Ambient Temperature	40°C
Max Elevation	1000 m.a.s.l (3300 f.a.s.l)
Mounting	F1
Rotation	Bi-Directional
Area of Classification	Class 1 Division 2 Groups A,B,C,D T3C(160°C)
Inverter Rating	10:1 CT / 20:1 VT PWM Type
Standard	NEMA MG-1
Approvals	CSA-US, CE

EFFICIENCY/POWER FACTOR		
LOAD	EFF	P. F.
100%	91.7 %	0.87
75%	92.1 %	0.84
50%	91.5 %	0.77

TORQUE		
FULL LOAD	LRT	BDT
37 lb.ft.	150 %	230 %

AMPERAGE INFORMATION		
	230V	460V
Full Load Amps	58.7A	29.3A
Locked Rotor Amps	365A	182.5A
No Load Current	17A	8.5A
Usable at 208V	64.9A	

BEARING INFORMATION	
DE Bearing	6311 C3
ODE Bearing	6309 C3
Grease Type	SKF LGHP 2
DE Regreasing Interval	2400 Hours
ODE Regreasing Interval	3000 Hours

ADDITIONAL DATA	
F2 Suitable	Yes
Shaft Material	1045 Carbon Steel
Connection Diagram	230 / 460 V - 12 Lead Δ
Approximate Weight	332 lbs.

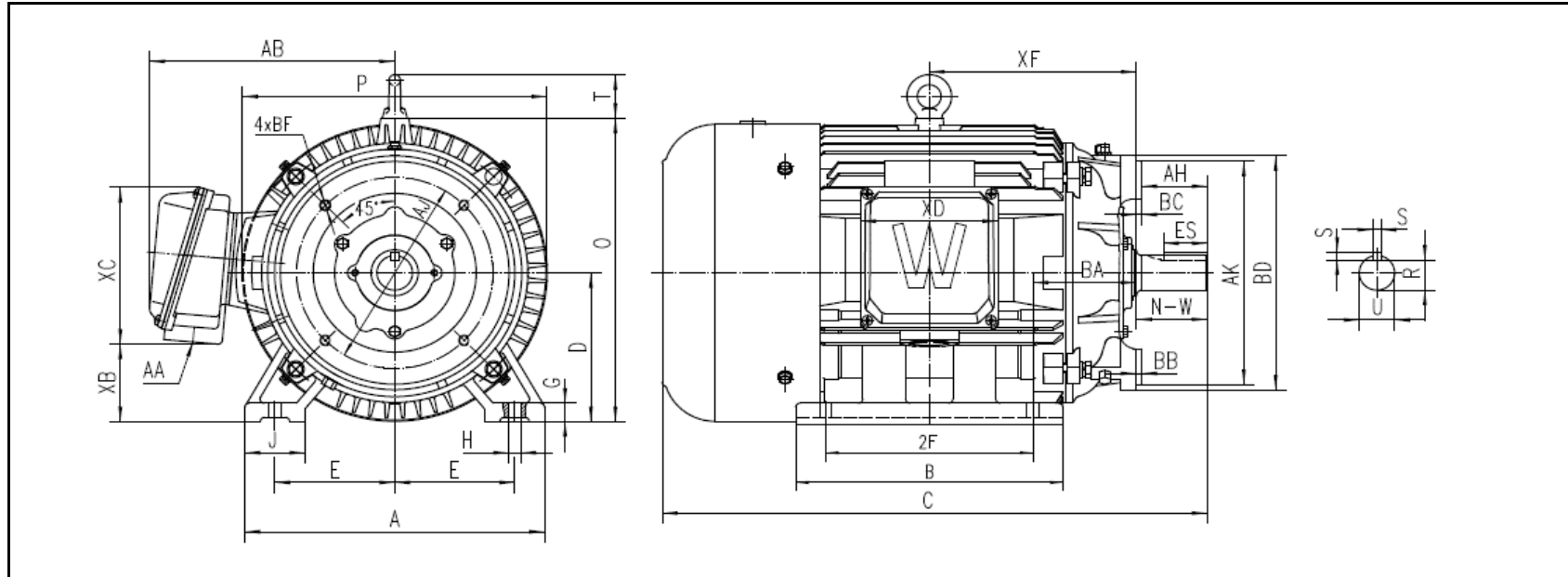
MOTOR DRAWING

Premium Efficiency Motor: **PEWWE25-36-284TSC**

WorldWide Electric Corporation

1 (800) 808-2131

Worldwideelectric.net



DIMENSION - INCHES

MOUNTING					A	B	C	D	G	J	P	O	T	AB
E	2F1	2F	H	BA										
5.5	--	9.5	0.53	4.75	13.74	12.244	24.996	7	0.866	2.756	13.976	14.283	2.047	11.239

SHAFT & KEY					
S	ES	R	N-W	AH	U
0.375	1.91	1.416	3.25	3	1.625

TERMINAL BOX				
AA	XB	XC	XD	XF
1.5	3.645	7.381	6.299	9.5

FLANGE					
AJ	AK	BB	BD	BF	BC
9	10.5	0.25	11.024	1/2-13	0.25

PERFORMANCE CURVES

WorldWide Electric Corporation

1 (800) 808-2131

Worldwideelectric.net



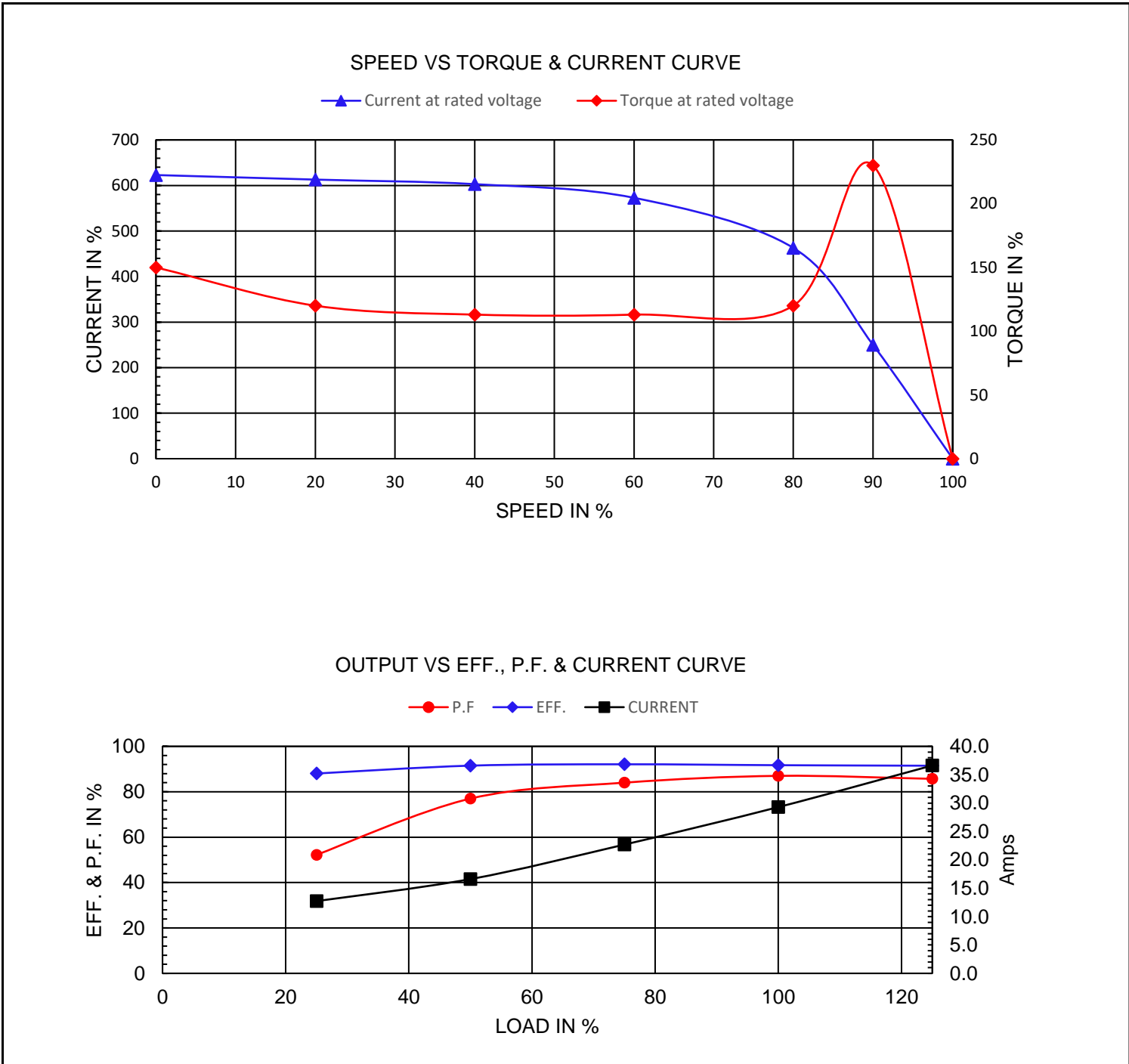
Premium Efficiency Motor:

PEWWE25-36-284TSC

Document Generated: 14-Oct-2024
Document ID:

Customer:

Motor Type	PEWWE		FL Speed	3550	
Output Rating (HP)	25		LRT (%FLT)	150	460 volt FLA 29.3
Full Load Torque	37	lb.ft	BDT (%FLT)	230	230 volt FLA 58.7
Rotor Wk^2	1.4	lb-ft^2			



NAMEPLATE / WIRING

WorldWide Electric Corporation

1 (800) 808-2131

Worldwideelectric.net



Premium Efficiency Motor:

PEWWE25-36-284TSC

Document Generated: 14-Oct-2024
Document ID:

Customer:

SAMPLE NAMEPLATE DATA

		3-PHASE INDUCTION MOTOR		259277 			
Model	<input type="text"/>	Ser No.	<input type="text"/>	Low Voltage 6 4 5 7 8 9 12 10 11 1 2 3 L1 L2 L3		50Hz 1.0SF HP % V A rpm	
HP	<input type="text"/>	S.F.	<input type="text"/>	Rating	<input type="text"/>	°C Amb Cont	
Frame	<input type="text"/>	P.F.	<input type="text"/>	IP	<input type="text"/>	Encl <input type="text"/>	
Voltage	230/460	Hz	<input type="text"/>	Code	<input type="text"/>	Type <input type="text"/>	
Amps	<input type="text"/>	RPM	<input type="text"/>	Ins Cl	<input type="text"/>	Design <input type="text"/>	
Nom.Eff.	FL	% 3/4	<input type="text"/>	%	<input type="text"/>	10:1 CT 20:1 VT PWM VFD 1.0SF	
Class I DIV. 2 Groups A B C D		Amb.40°C		T3C(160°C)		<input type="text"/>	
Class I Zone 2 IIC		Amb.55°C		T3A(180°C)		Date <input type="text"/>	
Grease type: LGHP 2 (compatible with polyrex)		DE Brng		<input type="text"/>			
		ODE Brng		<input type="text"/>			
WorldWide Electric Corporation							

Model	<input type="text" value="PEWWE25-36-284TSC"/>						
HP	<input type="text" value="25"/>	S.F.	<input type="text" value="1.25"/>	IP	<input type="text" value="IP55"/>	Encl	<input type="text" value="TEFC"/>
Frame	<input type="text" value="284TSC"/>	P.F.	<input type="text" value="0.87"/>	Code	<input type="text" value="G"/>	Type	
Voltage	<input type="text" value="230/460 V"/>	Hz	<input type="text" value="60 Hz"/>	Ins Cl	<input type="text" value="F"/>	Ambient <input type="text" value="40°C"/>	
Amps	<input type="text" value="58.7/23.5"/>	RPM	<input type="text" value="3550"/>	Design	<input type="text" value="B"/>	DE Brng	<input type="text" value="6311 C3"/>
Nom.Eff.	<input type="text" value="FL"/>	<input type="text" value="91.7%"/>	<input type="text" value="3/4"/>	<input type="text" value="92.1%"/>			
Class 1 Division 2 Groups A,B,C,D				T3C(160°C)		Grease type: SKF LGHP 2	
50Hz							
25 HP		200/400 V		68.1/34 A		2945 rpm	
<input type="text" value="Eff. 90.9%"/>							