

DATA SHEET

Premium Efficiency Motor: **PEWWE40-36-286TSCZ**

60 Hz

WorldWide Electric Corporation

1 (800) 808-2131

Worldwideelectric.net



Document Generated: 11-Oct-2024
Document ID:

Customer:

MOTOR INFORMATION	
HP	40
RPM	3600
Phase	3
Frequency	60 Hz
Voltage	230/460 V
Frame Size	286TSCZ
Enclosure	TEFC
Degree of Protection	IP55
Service Factor	1.15
Poles	2
Full Load Speed	3540
Insulation Class	F
Temp Rise	80°C
NEMA Code Letter	G
Duty Cycle	S1 / Continuous
Slip	1.66%
NEMA Design	B
Moment of Inertia	1.96 lb.ft.^2
Locked Rotor Time (Hot)	17 seconds
Sound Pressure Level	76 dB(A)
Number of Starts	2 Cold/ 1 Hot
Max Ambient Temperature	40°C
Max Elevation	1000 m.a.s.l (3300 f.a.s.l)
Mounting	F1
Rotation	Bi-Directional
Area of Classification	--
Inverter Rating	--
Standard	NEMA MG-1
Approvals	--

EFFICIENCY/POWER FACTOR		
LOAD	EFF	P. F.
100%	92.4 %	0.89
75%	93.1 %	0.87
50%	93.0 %	0.83

TORQUE		
FULL LOAD	LRT	BDT
59.3 lb.ft.	140 %	210 %

AMPERAGE INFORMATION		
	230V	460V
Full Load Amps	91.1A	45.5A
Locked Rotor Amps	580A	290A
No Load Current	21.2A	10.6A
Usable at 208V	--A	

BEARING INFORMATION	
DE Bearing	7311 BEP
ODE Bearing	6309 C3
Grease Type	SKF LGHP 2
DE Regreasing Interval	2400 Hours
ODE Regreasing Interval	3000 Hours

ADDITIONAL DATA	
F2 Suitable	Yes
Shaft Material	1045 Carbon Steel
Connection Diagram	230 / 460 V - 12 Lead Δ
Approximate Weight	419 lbs.

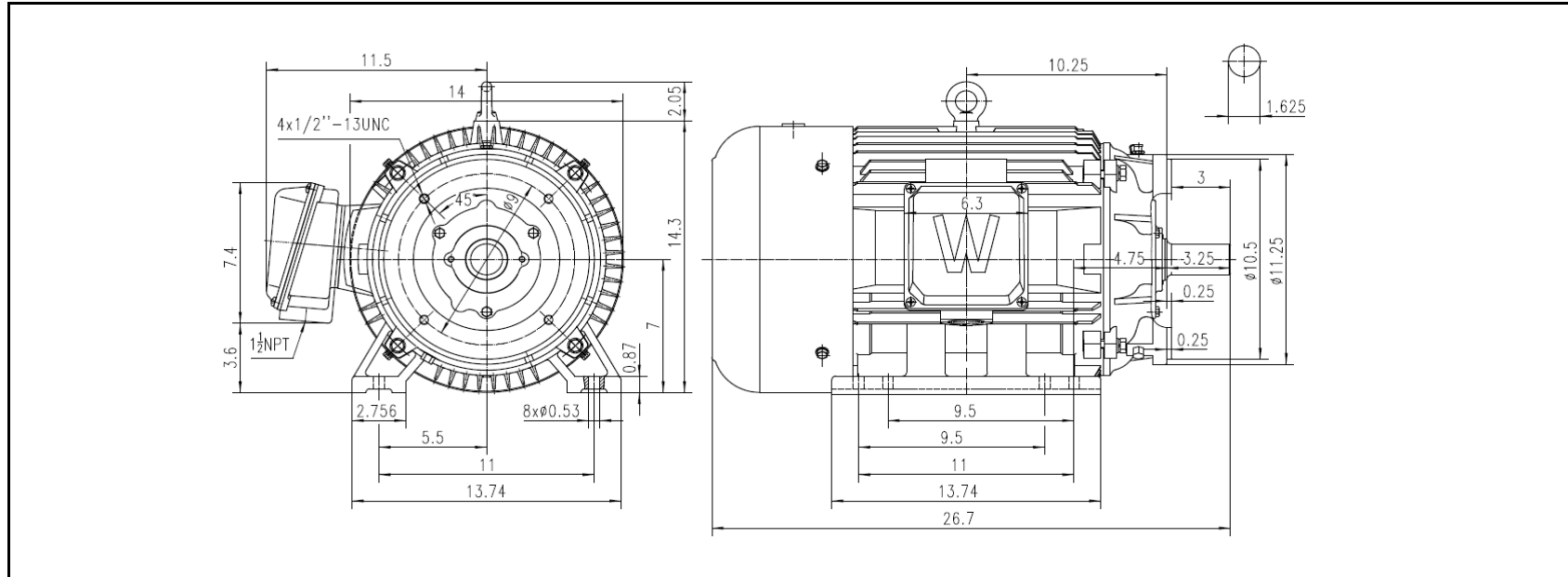
MOTOR DRAWING

Premium Efficiency Motor: **PEWWE40-36-286TSCZ**

WorldWide Electric Corporation

1 (800) 808-2131

Worldwideelectric.net



DIMENSION - INCHES

MOUNTING					A	B	C	D	G	J	P	O	T	AB
E	2F1	2F	H	BA										
5.5	9.5	11	0.53	4.75	13.74	13.74	26.492	7	0.866	2.756	13.976	14.283	2.047	11.239

SHAFT & KEY					
S	ES	R	N-W	AH	U
0.375	1.91	1.416	3.25	3	1.625

TERMINAL BOX				
AA	XB	XC	XD	XF
1.5	3.645	7.381	6.299	10.248

FLANGE					
AJ	AK	BB	BD	BF	BC
9	10.5	0.25	11.024	1/2-13	0.25

PERFORMANCE CURVES

WorldWide Electric Corporation

1 (800) 808-2131

Worldwideelectric.net



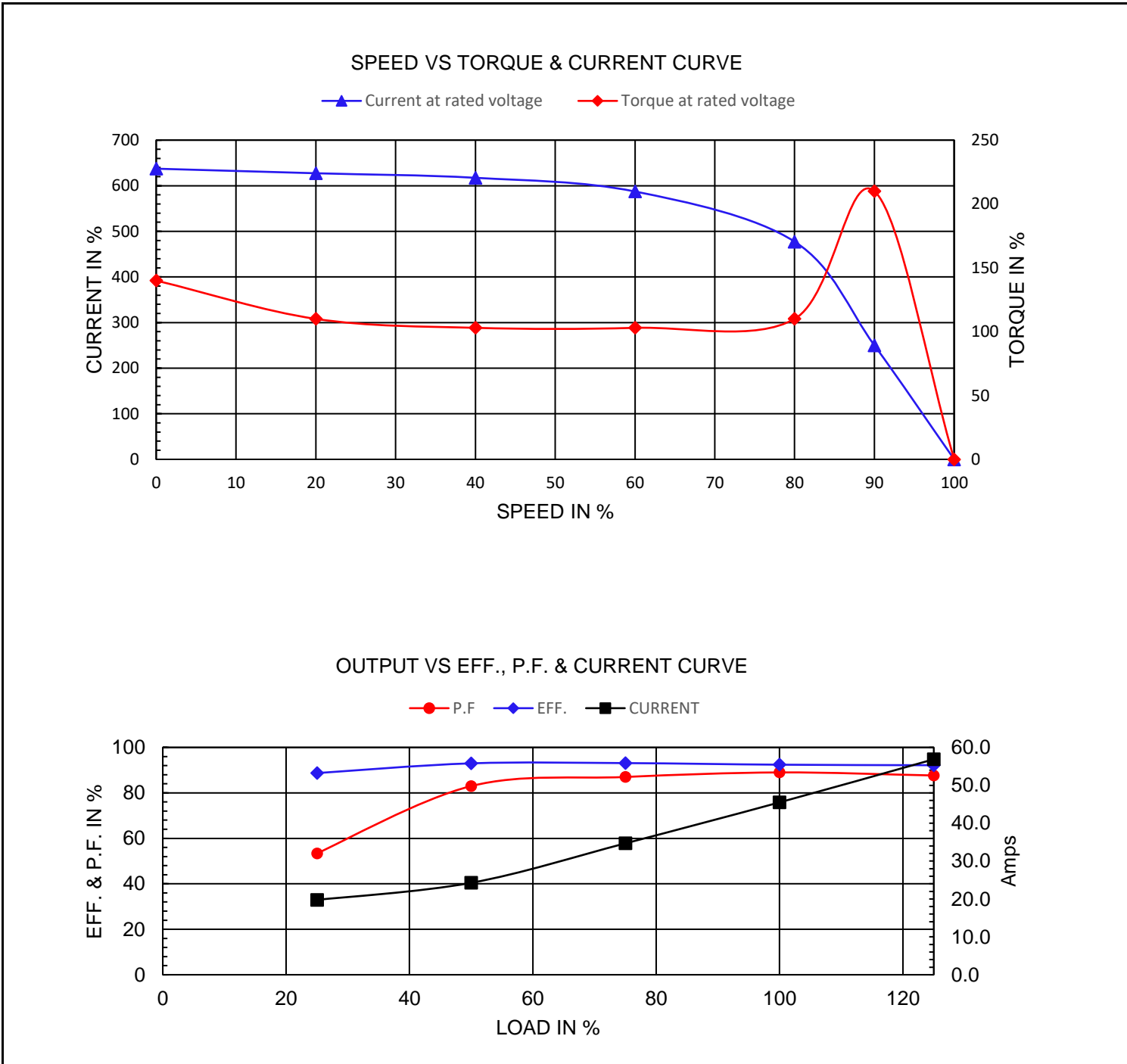
Premium Efficiency Motor:

PEWWE40-36-286TSCZ

Document Generated: 11-Oct-2024
Document ID:

Customer:

Motor Type	PEWWE				
Output Rating (HP)	40	FL Speed	3540		
Full Load Torque	59.3 lb.ft	LRT (%FLT)	140	460 volt FLA	45.5
Rotor Wk^2	1.96 lb-ft^2	BDT (%FLT)	210	230 volt FLA	91.1



NAMEPLATE / WIRING

WorldWide Electric Corporation

1 (800) 808-2131

Worldwideelectric.net



WORLDWIDE
ELECTRIC CORPORATION

Premium Efficiency Motor:

PEWWE40-36-286TSCZ

Document Generated: 11-Oct-2024
Document ID:

Customer:

SAMPLE NAMEPLATE DATA

		3-PHASE INDUCTION MOTOR		259277 		50Hz 1.0SF HP % V A rpm
Model		Ser No.		Low Voltage 6 4 5 7 8 9 12 10 11 1 2 3 L1 L2 L3		
HP		S.F.		Rating °C Amb Cont		
Frame		P.F.		IP	Encl	
Voltage	230/460	Hz		Code	Type	
Amps		RPM		Ins Cl	Design	
Nom.Eff.	FL	% 3/4	%	10:1 CT 20:1 VT PWM VFD	1.0SF	
Class I DIV. 2 Groups A B C D		Amb.40°C				
Class I Zone 2 IIC		Amb.55°C		Date		
Grease type: LGHP 2 (compatible with polyrex)		DE Brng ODE Brng				
WorldWide Electric Corporation						

Model	PEWWE40-36-286TSCZ						
HP	40	S.F.	1.15	IP	IP55	Encl	TEFC
Frame	286TSCZ	P.F.	0.89	Code	G	Type	
Voltage	230/460 V	Hz	60 Hz	Ins Cl	F	Ambient	40°C
Amps	91.1/45.5	RPM	3540	Design	B	DE Brng	7311 BEP
Nom.Eff.	FL	92.4%	3/4	93.1%		ODE Brng	6309 C3
--						Grease type:	SKF LGHP 2
50Hz	#N/A	HP	#N/A	#N/A	A	#N/A	rpm