

# DATA SHEET

Premium Efficiency Motor: **PEWWE30-36-286TC**

**60 Hz**

WorldWide Electric Corporation

1 (800) 808-2131

Worldwideelectric.net



Document Generated: 14-Oct-2024  
Document ID:

Customer:

| MOTOR INFORMATION       |  |
|-------------------------|--|
| HP                      | 30   |
| RPM                     | 3600   |
| Phase                   | 3  |
| Frequency               | 60 Hz  |
| Voltage                 | 230/460 V                                    |
| Frame Size              | 286TC  |
| Enclosure               | TEFC   |
| Degree of Protection    | IP55   |
| Service Factor          | 1.25   |
| Poles                   | 2  |
| Full Load Speed         | 3550   |
| Insulation Class        | F  |
| Temp Rise               | 80°C   |
| NEMA Code Letter        | G  |
| Duty Cycle              | S1 / Continuous                              |
| Slip                    | 1.40%  |
| NEMA Design             | B  |
| Moment of Inertia       | 1.61 lb.ft.^2                                |
| Locked Rotor Time (Hot) | 18 seconds                                   |
| Sound Pressure Level    | 75 dB(A)                                     |
| Number of Starts        | 2 Cold/ 1 Hot                                |
| Max Ambient Temperature | 40°C   |
| Max Elevation           | 1000 m.a.s.l (3300 f.a.s.l)                  |
| Mounting                | F1   |
| Rotation                | Bi-Directional                               |
| Area of Classification  | Class 1 Division 2 Groups A,B,C,D T3C(160°C) |
| Inverter Rating         | 10:1 CT / 20:1 VT PWM Type                   |
| Standard                | NEMA MG-1                                    |
| Approvals               | CSA-US, CE                                   |

| EFFICIENCY/POWER FACTOR |        |       |
|-------------------------|--------|-------|
| LOAD                    | EFF    | P. F. |
| 100%                    | 91.7 % | 0.88  |
| 75%                     | 92.4 % | 0.86  |
| 50%                     | 92.1 % | 0.8   |

| TORQUE      |       |       |
|-------------|-------|-------|
| FULL LOAD   | LRT   | BDT   |
| 44.4 lb.ft. | 150 % | 230 % |

| AMPERAGE INFORMATION |       |        |
|----------------------|-------|--------|
|                      | 230V  | 460V   |
| Full Load Amps       | 69.6A | 34.8A  |
| Locked Rotor Amps    | 435A  | 217.5A |
| No Load Current      | 21.2A | 10.6A  |
| Usable at 208V       | 77A   |        |

| BEARING INFORMATION     |            |
|-------------------------|------------|
| DE Bearing              | 6311 C3    |
| ODE Bearing             | 6309 C3    |
| Grease Type             | SKF LGHP 2 |
| DE Regreasing Interval  | 2400 Hours |
| ODE Regreasing Interval | 3000 Hours |

| ADDITIONAL DATA    |                         |
|--------------------|-------------------------|
| F2 Suitable        | Yes                     |
| Shaft Material     | 1045 Carbon Steel       |
| Connection Diagram | 230 / 460 V - 12 Lead Δ |
| Approximate Weight | 372 lbs.                |

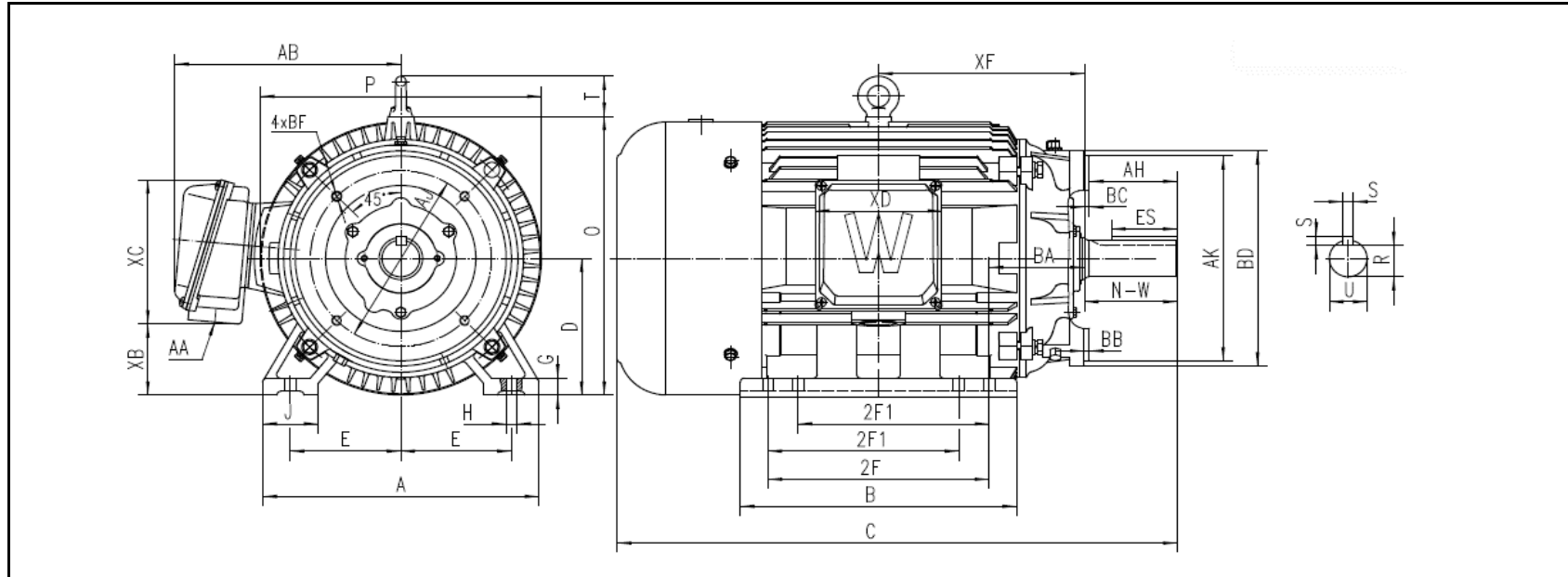
# MOTOR DRAWING

Premium Efficiency Motor: **PEWWE30-36-286TC**

WorldWide Electric Corporation

1 (800) 808-2131

Worldwideelectric.net



## DIMENSION - INCHES

| MOUNTING |     |    |      |      | A     | B     | C      | D | G     | J     | P      | O      | T     | AB     |
|----------|-----|----|------|------|-------|-------|--------|---|-------|-------|--------|--------|-------|--------|
| E        | 2F1 | 2F | H    | BA   |       |       |        |   |       |       |        |        |       |        |
| 5.5      | 9.5 | 11 | 0.53 | 4.75 | 13.74 | 13.74 | 27.858 | 7 | 0.866 | 2.756 | 13.976 | 14.283 | 2.047 | 11.239 |

| SHAFT & KEY |      |       |      |      |       |
|-------------|------|-------|------|------|-------|
| S           | ES   | R     | N-W  | AH   | U     |
| 0.5         | 3.28 | 1.591 | 4.62 | 4.38 | 1.875 |

| TERMINAL BOX |       |       |       |        |
|--------------|-------|-------|-------|--------|
| AA           | XB    | XC    | XD    | XF     |
| 1.5          | 3.645 | 7.381 | 6.299 | 10.248 |

| FLANGE |      |      |        |        |      |
|--------|------|------|--------|--------|------|
| AJ     | AK   | BB   | BD     | BF     | BC   |
| 9      | 10.5 | 0.25 | 11.024 | 1/2-13 | 0.25 |

# PERFORMANCE CURVES

WorldWide Electric Corporation

1 (800) 808-2131

Worldwideelectric.net



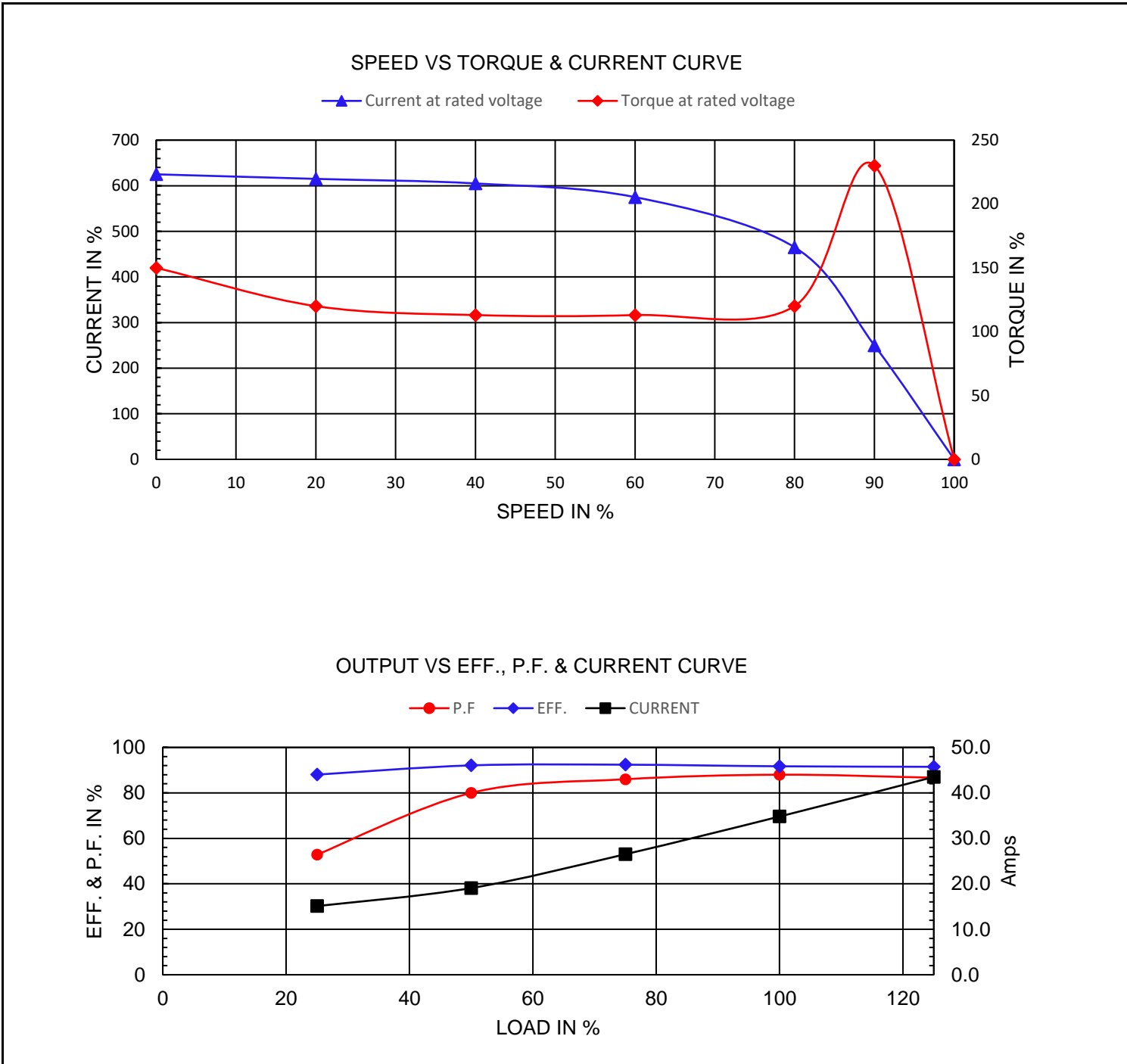
Premium Efficiency Motor:

**PEWWE30-36-286TC**

Document Generated: 14-Oct-2024  
Document ID:

Customer:

|                       |       |                    |            |      |                   |
|-----------------------|-------|--------------------|------------|------|-------------------|
| Motor Type            | PEWWE |                    | FL Speed   | 3550 |                   |
| Output Rating (HP)    | 30    |                    | LRT (%FLT) | 150  | 460 volt FLA 34.8 |
| Full Load Torque      | 44.4  | lb.ft              | BDT (%FLT) | 230  | 230 volt FLA 69.6 |
| Rotor Wk <sup>2</sup> | 1.61  | lb-ft <sup>2</sup> |            |      |                   |



# NAMEPLATE / WIRING

WorldWide Electric Corporation

1 (800) 808-2131

Worldwideelectric.net



Premium Efficiency Motor:

**PEWWE30-36-286TC**

Document Generated: 14-Oct-2024  
Document ID:

Customer:

## SAMPLE NAMEPLATE DATA

|   |                      |                                |                      |  |                                  |
|---|----------------------|--------------------------------|----------------------|--|----------------------------------|
|   |                      | <b>3-PHASE INDUCTION MOTOR</b> |                      | 259277<br>   |                                  |
| Model   | <input type="text"/> | Ser No.                        | <input type="text"/> | Low Voltage<br>50Hz<br>1.0SF<br>HP<br>%<br>V<br>A<br>rpm |                                  |
| HP  | <input type="text"/> | S.F.                           | <input type="text"/> | Rating   | <input type="text"/> °C Amb Cont |
| Frame   | <input type="text"/> | P.F.                           | <input type="text"/> | IP   | <input type="text"/>             |
| Voltage                                       | <input type="text"/> | Hz                             | <input type="text"/> | Code   | <input type="text"/>             |
| Amps  | <input type="text"/> | RPM                            | <input type="text"/> | Ins Cl   | <input type="text"/>             |
| Nom.Eff.                                      | FL                   | % 3/4                          | <input type="text"/> | 10:1 CT  | 20:1 VT PWM VFD 1.0SF            |
| Class I DIV. 2 Groups A B C D                 |                      | Amb.40°C                       | T3C(160°C)           | Date   |                                  |
| Class I Zone 2 IIC                            |                      | Amb.55°C                       | T3A(180°C)           |  |                                  |
| Grease type: LGHP 2 (compatible with polyrex) |                      | DE Brng<br>ODE Brng            |                      |  |                                  |
| <b>WorldWide Electric Corporation</b>         |                      |                                |                      |  |                                  |

|                                   |   |                                    |                                    |                                    |                                   |
|-----------------------------------|---|------------------------------------|------------------------------------|------------------------------------|-----------------------------------|
| Model                             | <input type="text" value="PEWWE30-36-286TC"/> |                                    |                                    |                                    |                                   |
| HP                                | <input type="text" value="30"/>               | S.F.                               | <input type="text" value="1.25"/>  | IP                                 | <input type="text" value="IP55"/> |
| Frame                             | <input type="text" value="286TC"/>            | P.F.                               | <input type="text" value="0.88"/>  | Code                               | <input type="text" value="G"/>    |
| Voltage                           | <input type="text" value="230/460 V"/>        | Hz                                 | <input type="text" value="60 Hz"/> | Ins Cl                             | <input type="text" value="F"/>    |
| Amps                              | <input type="text" value="69.6/34.8"/>        | RPM                                | <input type="text" value="3550"/>  | Design                             | <input type="text" value="B"/>    |
| Nom.Eff.                          | FL  | <input type="text" value="91.7%"/> | <input type="text" value="3/4"/>   | <input type="text" value="92.4%"/> |                                   |
| Class 1 Division 2 Groups A,B,C,D |   |                                    |                                    | T3C(160°C)                         | Grease type: SKF LGHP 2           |
| 50Hz                              |   |                                    |                                    |                                    |                                   |
| 30 HP                             |   | 200/400 V                          |                                    | 80.4/40 A                          |                                   |
| 2945 rpm                          |   |                                    |                                    |                                    |                                   |
| Eff. 91.3%                        |   |                                    |                                    |                                    |                                   |