

# DATA SHEET

Premium Efficiency Motor: **PEWWE40-36-324TSC**

**60 Hz**

WorldWide Electric Corporation

1 (800) 808-2131

Worldwideelectric.net



Document Generated: 14-Oct-2024

Document ID:

Customer:

## MOTOR INFORMATION

|                         |  |
|-------------------------|--|
| HP                      | 40   |
| RPM                     | 3600   |
| Phase                   | 3  |
| Frequency               | 60 Hz  |
| Voltage                 | 230/460 V                                    |
| Frame Size              | 324TSC                                       |
| Enclosure               | TEFC   |
| Degree of Protection    | IP55   |
| Service Factor          | 1.25   |
| Poles                   | 2  |
| Full Load Speed         | 3545   |
| Insulation Class        | F  |
| Temp Rise               | 80°C   |
| NEMA Code Letter        | G  |
| Duty Cycle              | S1 / Continuous                              |
| Slip                    | 1.53%  |
| NEMA Design             | B  |
| Moment of Inertia       | 2.91 lb.ft.^2                                |
| Locked Rotor Time (Hot) | 16 seconds                                   |
| Sound Pressure Level    | 77 dB(A)                                     |
| Number of Starts        | 2 Cold/ 1 Hot                                |
| Max Ambient Temperature | 40°C   |
| Max Elevation           | 1000 m.a.s.l (3300 f.a.s.l)                  |
| Mounting                | F1   |
| Rotation                | Bi-Directional                               |
| Area of Classification  | Class 1 Division 2 Groups A,B,C,D T3C(160°C) |
| Inverter Rating         | 10:1 CT / 20:1 VT PWM Type                   |
| Standard                | NEMA MG-1                                    |
| Approvals               | CSA-US, CE                                   |

## EFFICIENCY/POWER FACTOR

| LOAD | EFF    | P. F. |
|------|--------|-------|
| 100% | 92.4 % | 0.88  |
| 75%  | 92.8 % | 0.85  |
| 50%  | 92.0 % | 0.79  |

## TORQUE

| FULL LOAD   | LRT   | BDT   |
|-------------|-------|-------|
| 59.2 lb.ft. | 175 % | 255 % |

## AMPERAGE INFORMATION

|                   | 230V  | 460V  |
|-------------------|-------|-------|
| Full Load Amps    | 92.1A | 46.1A |
| Locked Rotor Amps | 580A  | 290A  |
| No Load Current   | 26A   | 13A   |
| Usable at 208V    | 102A  |       |

## BEARING INFORMATION

|                         |            |
|-------------------------|------------|
| DE Bearing              | 6312 C3    |
| ODE Bearing             | 6311 C3    |
| Grease Type             | SKF LGHP 2 |
| DE Regreasing Interval  | 2400 Hours |
| ODE Regreasing Interval | 2400 Hours |

## ADDITIONAL DATA

|                    |                         |
|--------------------|-------------------------|
| F2 Suitable        | Yes                     |
| Shaft Material     | 1045 Carbon Steel       |
| Connection Diagram | 230 / 460 V - 12 Lead Δ |
| Approximate Weight | 470 lbs.                |

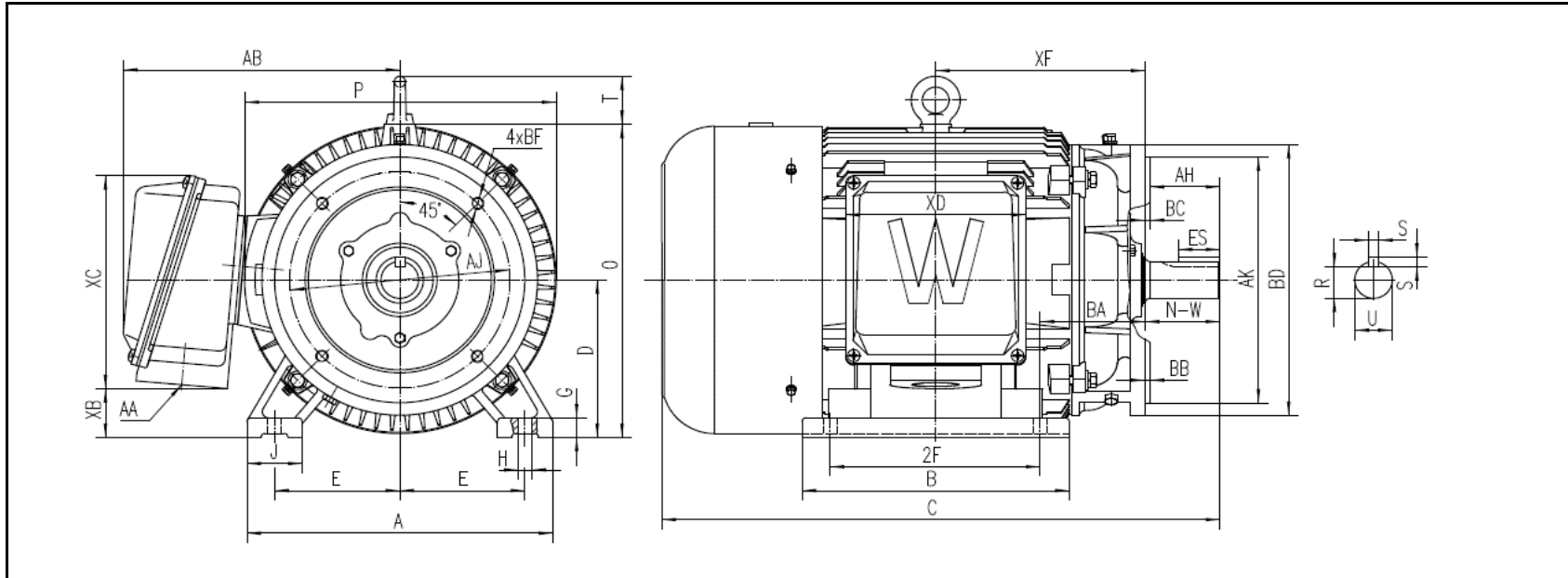
# MOTOR DRAWING

Premium Efficiency Motor: **PEWWE40-36-324TSC**

WorldWide Electric Corporation

1 (800) 808-2131

Worldwideelectric.net



## DIMENSION - INCHES

| MOUNTING |     |      |      |      | A      | B      | C      | D | G     | J     | P      | O      | T     | AB     |
|----------|-----|------|------|------|--------|--------|--------|---|-------|-------|--------|--------|-------|--------|
| E        | 2F1 | 2F   | H    | BA   |        |        |        |   |       |       |        |        |       |        |
| 6.25     | --  | 10.5 | 0.66 | 5.25 | 15.276 | 13.346 | 27.882 | 8 | 0.984 | 2.756 | 15.571 | 15.913 | 2.441 | 13.813 |

| SHAFT & KEY |      |       |      |     |       |
|-------------|------|-------|------|-----|-------|
| S           | ES   | R     | N-W  | AH  | U     |
| 0.5         | 2.03 | 1.591 | 3.75 | 3.5 | 1.875 |

| TERMINAL BOX |       |        |       |        |
|--------------|-------|--------|-------|--------|
| AA           | XB    | XC     | XD    | XF     |
| 2            | 2.471 | 10.826 | 8.976 | 10.461 |

| FLANGE |      |      |       |        |      |
|--------|------|------|-------|--------|------|
| AJ     | AK   | BB   | BD    | BF     | BC   |
| 11     | 12.5 | 0.25 | 13.78 | 5/8-11 | 0.25 |

# PERFORMANCE CURVES

WorldWide Electric Corporation

1 (800) 808-2131

Worldwideelectric.net



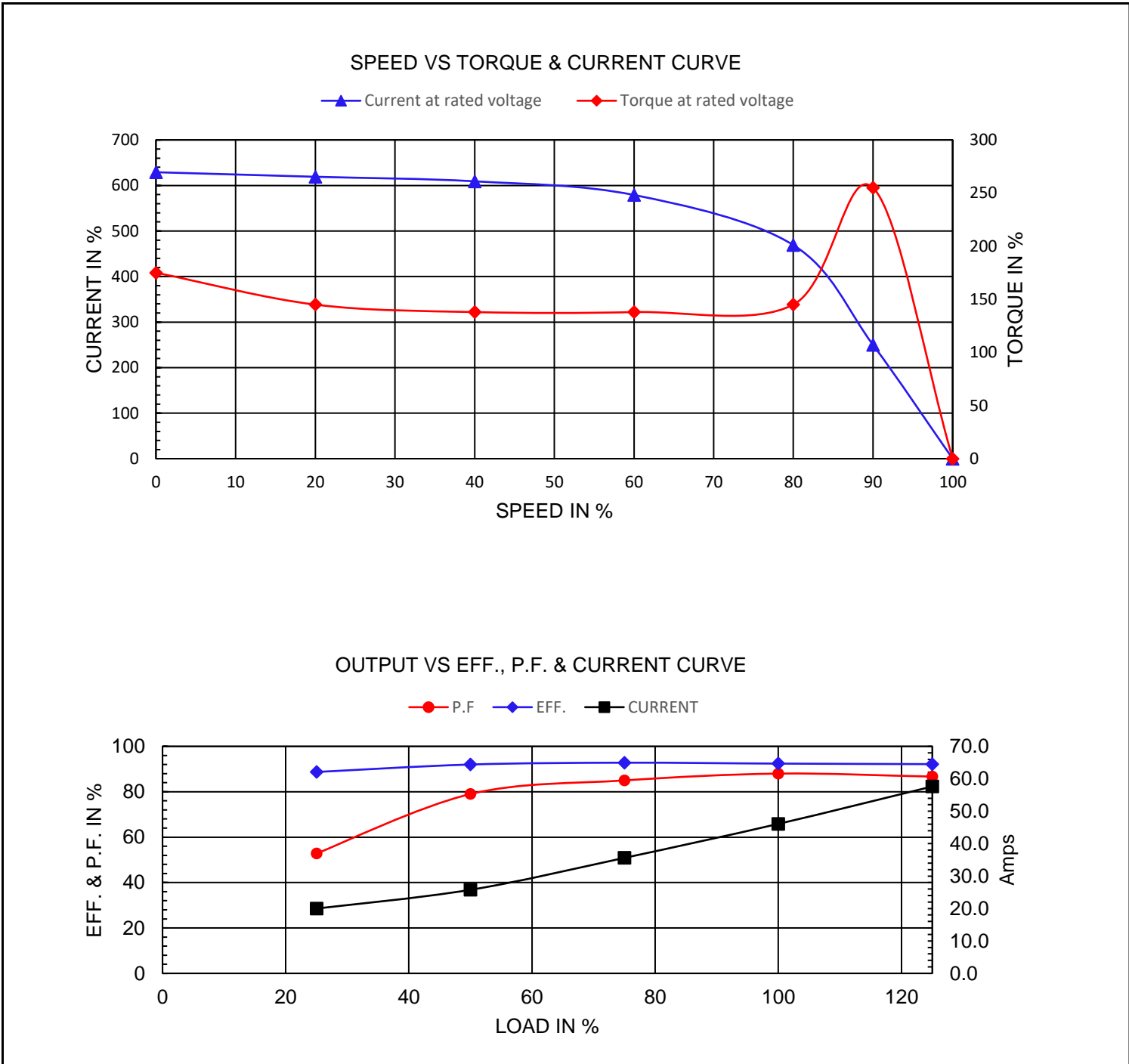
Premium Efficiency Motor:

**PEWWE40-36-324TSC**

Document Generated: 14-Oct-2024  
 Document ID:

Customer:

|                    |       |         |  |            |      |              |      |
|--------------------|-------|---------|--|------------|------|--------------|------|
| Motor Type         | PEWWE |         |  | FL Speed   | 3545 |              |      |
| Output Rating (HP) | 40    |         |  | LRT (%FLT) | 175  | 460 volt FLA | 46.1 |
| Full Load Torque   | 59.2  | lb.ft   |  | BDT (%FLT) | 255  | 230 volt FLA | 92.1 |
| Rotor Wk^2         | 2.91  | lb-ft^2 |  |            |      |              |      |



# NAMEPLATE / WIRING

WorldWide Electric Corporation

1 (800) 808-2131

Worldwideelectric.net



**WORLDWIDE**  
ELECTRIC CORPORATION

Premium Efficiency Motor:

**PEWWE40-36-324TSC**

Document Generated: 14-Oct-2024  
Document ID:

Customer:

## SAMPLE NAMEPLATE DATA

|   |         |   |  |   |  |   |
|---|---------|---|--|---|--|---|
|   |         | <b>3-PHASE INDUCTION MOTOR</b>                    |  | 259277<br>  |  | 50Hz<br>1.0SF<br>HP<br>%<br>V<br>A<br>rpm |
| Model   |         | Ser No.   |  | Low Voltage<br>6 4 5<br>7 8 9<br>12 10 11<br>1 2 3<br>L1 L2 L3  |  |   |
| HP  |         | S.F.  |  | High Voltage<br>4 5 6<br>7 8 9<br>12 10 11<br>1 2 3<br>L1 L2 L3 |  |   |
| Frame   |         | P.F.  |  |   |  |   |
| Voltage                                       | 230/460 | Hz  |  |   |  |   |
| Amps  |         | RPM   |  |   |  |   |
| Nom. Eff.                                     |         | FL    % 3/4    %    10:1 CT 20:1 VT PWM VFD 1.0SF |  |   |  |   |
| Class I DIV. 2 Groups A B C D                 |         | Amb. 40°C   |  |   |  |   |
| Class I Zone 2 IIC                            |         | Amb. 55°C   |  | Date  |  |   |
| Grease type: LGHP 2 (compatible with polyrex) |         | DE Brng ODE Brng                                  |  |   |  |   |
| <b>WorldWide Electric Corporation</b>         |         |   |  |   |  |   |

|                                   |                   |           |       |           |      |                         |         |
|-----------------------------------|-------------------|-----------|-------|-----------|------|-------------------------|---------|
| Model                             | PEWWE40-36-324TSC |           |       |           |      |                         |         |
| HP                                | 40                | S.F.      | 1.25  | IP        | IP55 | Encl                    | TEFC    |
| Frame                             | 324TSC            | P.F.      | 0.88  | Code      | G    | Type                    |         |
| Voltage                           | 230/460 V         | Hz        | 60 Hz | Ins Cl    | F    | Ambient                 | 40°C    |
| Amps                              | 92.1/46.1         | RPM       | 3545  | Design    | B    | DE Brng                 | 6312 C3 |
| Nom. Eff.                         | FL                | 92.4%     | 3/4   | 92.8%     |      | ODE Brng                | 6311 C3 |
| Class 1 Division 2 Groups A,B,C,D |                   |           |       |           |      | T3C(160°C)              |         |
|                                   |                   |           |       |           |      | Grease type: SKF LGHP 2 |         |
| 50Hz                              |                   |           |       |           |      |                         |         |
| 40 HP                             |                   | 200/400 V |       | 106/53. A |      | 2945 rpm                |         |
| Eff. 92%                          |                   |           |       |           |      |                         |         |