

DATA SHEET

Premium Efficiency Motor: **PEWWE50-36-326TSC**

60 Hz

WorldWide Electric Corporation

1 (800) 808-2131

Worldwideelectric.net



Document Generated: 14-Oct-2024
Document ID:

Customer:

MOTOR INFORMATION	
HP	50
RPM	3600
Phase	3
Frequency	60 Hz
Voltage	230/460 V
Frame Size	326TSC
Enclosure	TEFC
Degree of Protection	IP55
Service Factor	1.25
Poles	2
Full Load Speed	3545
Insulation Class	F
Temp Rise	80°C
NEMA Code Letter	G
Duty Cycle	S1 / Continuous
Slip	1.53%
NEMA Design	B
Moment of Inertia	3.42 lb.ft.^2
Locked Rotor Time (Hot)	18 seconds
Sound Pressure Level	77 dB(A)
Number of Starts	2 Cold/ 1 Hot
Max Ambient Temperature	40°C
Max Elevation	1000 m.a.s.l (3300 f.a.s.l)
Mounting	F1
Rotation	Bi-Directional
Area of Classification	Class 1 Division 2 Groups A,B,C,D T3C(160°C)
Inverter Rating	10:1 CT / 20:1 VT PWM Type
Standard	NEMA MG-1
Approvals	CSA-US, CE

EFFICIENCY/POWER FACTOR		
LOAD	EFF	P. F.
100%	93.0 %	0.89
75%	93.4 %	0.86
50%	93.1 %	0.8

TORQUE		
FULL LOAD	LRT	BDT
74 lb.ft.	180 %	260 %

AMPERAGE INFORMATION		
	230V	460V
Full Load Amps	113A	56.6A
Locked Rotor Amps	725A	362.5A
No Load Current	30.2A	15.1A
Usable at 208V	125A	

BEARING INFORMATION	
DE Bearing	6312 C3
ODE Bearing	6311 C3
Grease Type	SKF LGHP 2
DE Regreasing Interval	2400 Hours
ODE Regreasing Interval	2400 Hours

ADDITIONAL DATA	
F2 Suitable	Yes
Shaft Material	1045 Carbon Steel
Connection Diagram	230 / 460 V - 12 Lead Δ
Approximate Weight	534 lbs.

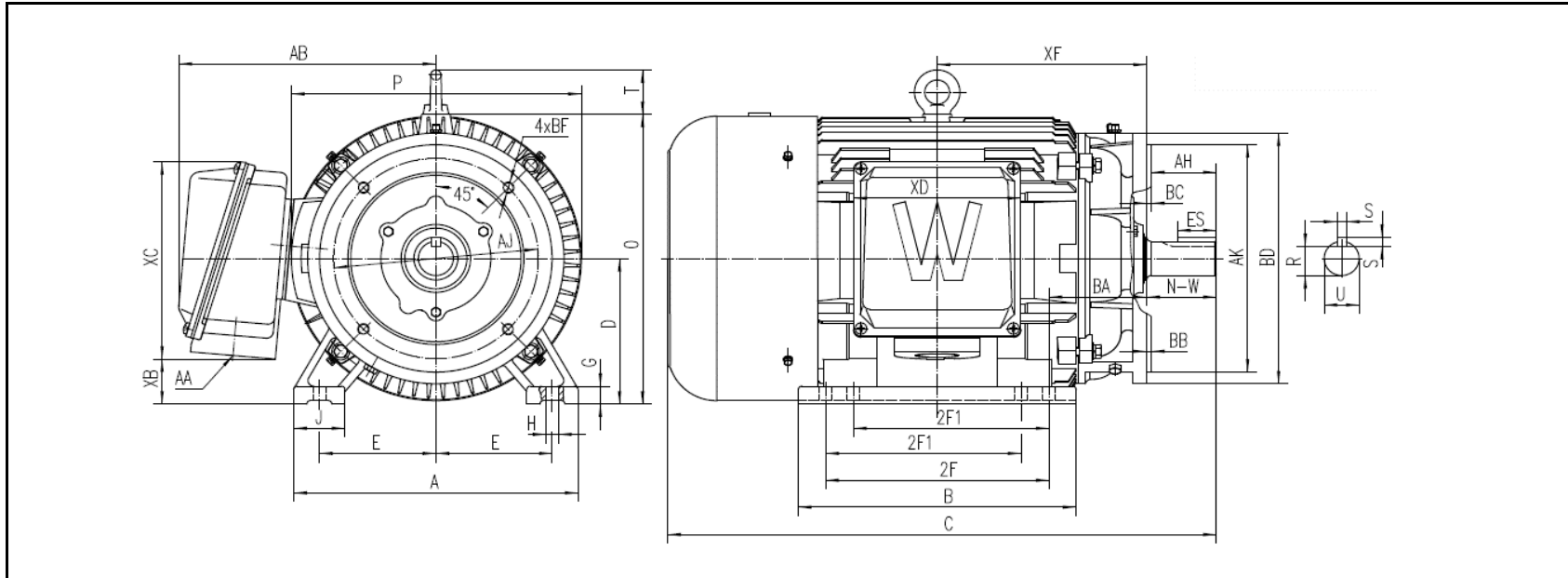
MOTOR DRAWING

Premium Efficiency Motor: **PEWWE50-36-326TSC**

WorldWide Electric Corporation

1 (800) 808-2131

Worldwideelectric.net



DIMENSION - INCHES

MOUNTING					A	B	C	D	G	J	P	O	T	AB
E	2F1	2F	H	BA										
6.25	10.5	12	0.66	5.25	15.276	14.921	29.459	8	0.984	2.756	15.571	15.913	2.441	13.813

SHAFT & KEY					
S	ES	R	N-W	AH	U
0.5	2.03	1.591	3.75	3.5	1.875

TERMINAL BOX				
AA	XB	XC	XD	XF
2	2.471	10.826	8.976	11.248

FLANGE					
AJ	AK	BB	BD	BF	BC
11	12.5	0.25	13.78	5/8-11	0.25

PERFORMANCE CURVES

WorldWide Electric Corporation

1 (800) 808-2131

Worldwideelectric.net



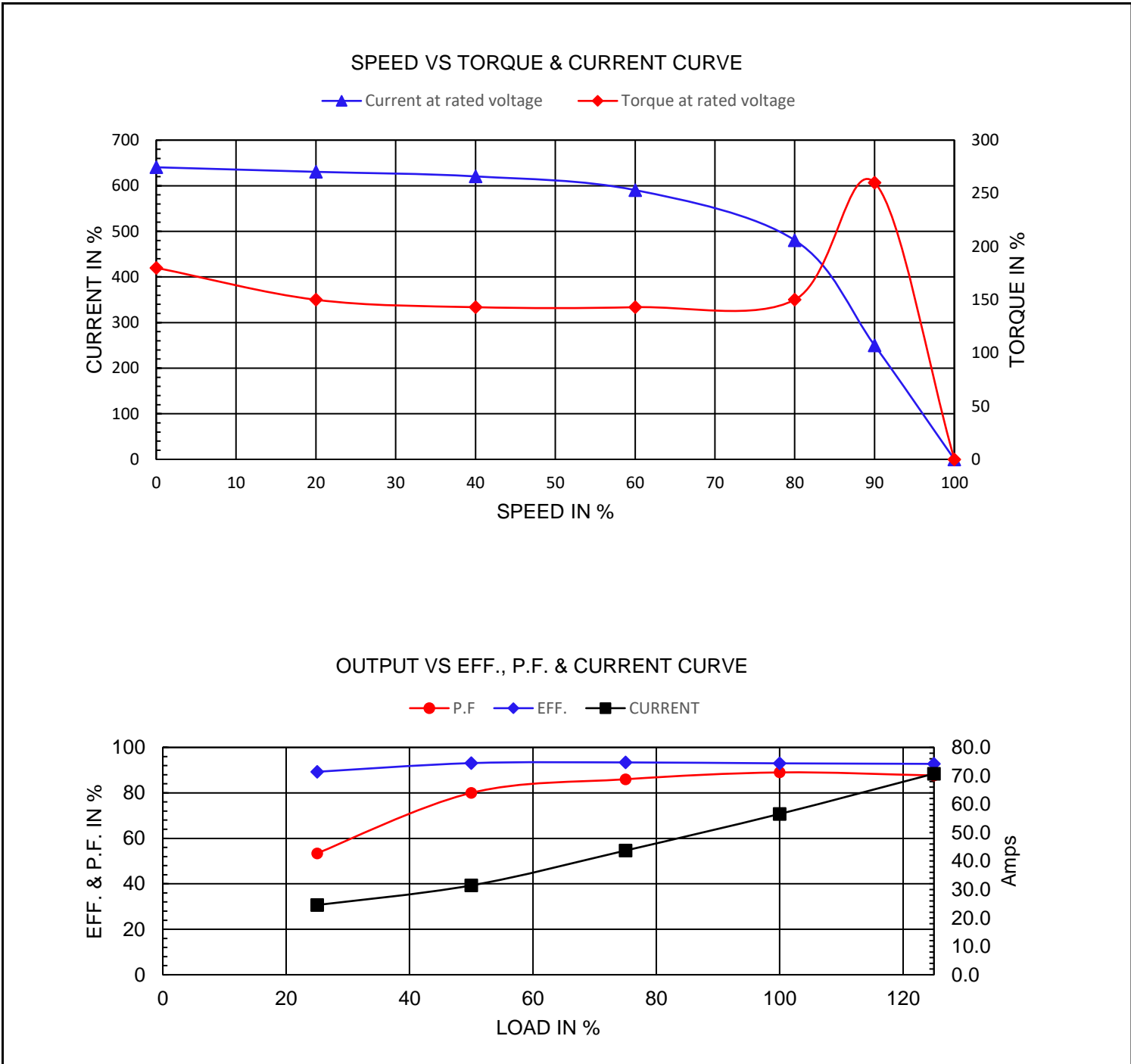
Premium Efficiency Motor:

PEWWE50-36-326TSC

Document Generated: 14-Oct-2024
Document ID:

Customer:

Motor Type	PEWWE		FL Speed	3545	
Output Rating (HP)	50		LRT (%FLT)	180	460 volt FLA 56.6
Full Load Torque	74	lb.ft	BDT (%FLT)	260	230 volt FLA 113
Rotor Wk^2	3.42	lb-ft^2			



NAMEPLATE / WIRING

WorldWide Electric Corporation

1 (800) 808-2131

Worldwideelectric.net



WORLDWIDE
ELECTRIC CORPORATION

Premium Efficiency Motor:

PEWWE50-36-326TSC

Document Generated: 14-Oct-2024
Document ID:

Customer:

SAMPLE NAMEPLATE DATA

		3-PHASE INDUCTION MOTOR		259277 		50Hz 1.0SF HP % V A rpm
Model		Ser No.		Low Voltage ⑥ ④ ⑤ ⑦ ⑧ ⑨ ⑫ ⑩ ⑪ ① ② ③ L1 L2 L3		
HP		S.F.		Rating	°C Amb Cont	
Frame		P.F.		IP	Encl	
Voltage	230/460	Hz		Code	Type	
Amps		RPM		Ins Cl	Design	
Nom.Eff.	FL	% 3/4	%	10:1 CT	20:1 VT PWM VFD 1.0SF	
Class I DIV. 2 Groups A B C D		Amb.40°C				
Class I Zone 2 IIC		Amb.55°C		Date		
Grease type: LGHP 2 (compatible with polyrex)		DE Brng		ODE Brng		
WorldWide Electric Corporation						

Model	PEWWE50-36-326TSC						
HP	50	S.F.	1.25	IP	IP55	Encl	TEFC
Frame	326TSC	P.F.	0.89	Code	G	Type	
Voltage	230/460 V	Hz	60 Hz	Ins Cl	F	Ambient	40°C
Amps	113/56.6	RPM	3545	Design	B	DE Brng	6312 C3
Nom.Eff.	FL	93.0%	3/4	93.4%		ODE Brng	6311 C3
Class 1 Division 2 Groups A,B,C,D						T3C(160°C)	
						Grease type: SKF LGHP 2	
50Hz							
50 HP		200/400 V		131/65. A		2945 rpm	
Eff. 92.5%							