

DATA SHEET

Premium Efficiency Motor: **PEWWE75-18-365TSC**

60 Hz

WorldWide Electric Corporation

1 (800) 808-2131

Worldwideelectric.net



Document Generated: 14-Oct-2024
Document ID:

Customer:

MOTOR INFORMATION	
HP	75
RPM	1800
Phase	3
Frequency	60 Hz
Voltage	230/460 V
Frame Size	365TSC
Enclosure	TEFC
Degree of Protection	IP55
Service Factor	1.25
Poles	4
Full Load Speed	1780
Insulation Class	F
Temp Rise	80°C
NEMA Code Letter	G
Duty Cycle	S1 / Continuous
Slip	1.10%
NEMA Design	B
Moment of Inertia	17.5 lb.ft.^2
Locked Rotor Time (Hot)	13 seconds
Sound Pressure Level	74 dB(A)
Number of Starts	2 Cold/ 1 Hot
Max Ambient Temperature	40°C
Max Elevation	1000 m.a.s.l (3300 f.a.s.l)
Mounting	F1
Rotation	Bi-Directional
Area of Classification	Class 1 Division 2 Groups A,B,C,D T3A(180°C)
Inverter Rating	10:1 CT / 20:1 VT PWM Type
Standard	NEMA MG-1
Approvals	CSA-US, CE

EFFICIENCY/POWER FACTOR		
LOAD	EFF	P. F.
100%	95.4 %	0.83
75%	95.5 %	0.80
50%	95.3 %	0.71

TORQUE		
FULL LOAD	LRT	BDT
221 lb.ft.	190 %	250 %

AMPERAGE INFORMATION		
	230V	460V
Full Load Amps	177A	88.7A
Locked Rotor Amps	1085A	542.5A
No Load Current	75A	32.5A
Usable at 208V	196A	

BEARING INFORMATION	
DE Bearing	6313 C3
ODE Bearing	6312 C3
Grease Type	SKF LGHP 2
DE Regreasing Interval	3000 Hours
ODE Regreasing Interval	4000 Hours

ADDITIONAL DATA	
F2 Suitable	Yes
Shaft Material	1045 Carbon Steel
Connection Diagram	230 / 460 V - 12 Lead Δ
Approximate Weight	858 lbs.

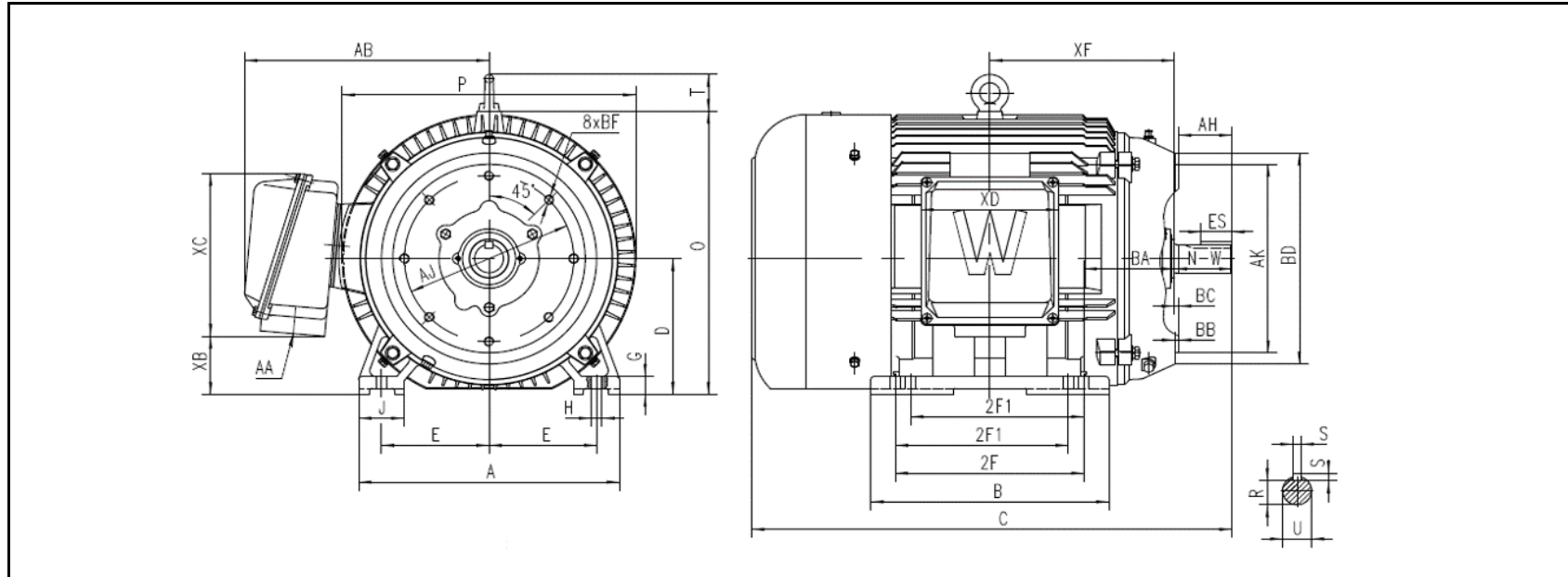
MOTOR DRAWING

Premium Efficiency Motor: **PEWWE75-18-365TSC**

WorldWide Electric Corporation

1 (800) 808-2131

Worldwideelectric.net



DIMENSION - INCHES

MOUNTING					A	B	C	D	G	J	P	O	T	AB
E	2F1	2F	H	BA										
7	11.25	12.25	0.66	5.88	16.969	15.472	31.23	9	1.181	2.953	19.091	18.8	2.441	15.899

SHAFT & KEY					
S	ES	R	N-W	AH	U
0.5	2.03	1.591	3.75	3.5	1.875

TERMINAL BOX				
AA	XB	XC	XD	XF
3	3.849	10.783	8.976	11.988

FLANGE					
AJ	AK	BB	BD	BF	BC
11	12.5	0.25	13.989	5/8-11	0.25

PERFORMANCE CURVES

WorldWide Electric Corporation

1 (800) 808-2131

Worldwideelectric.net

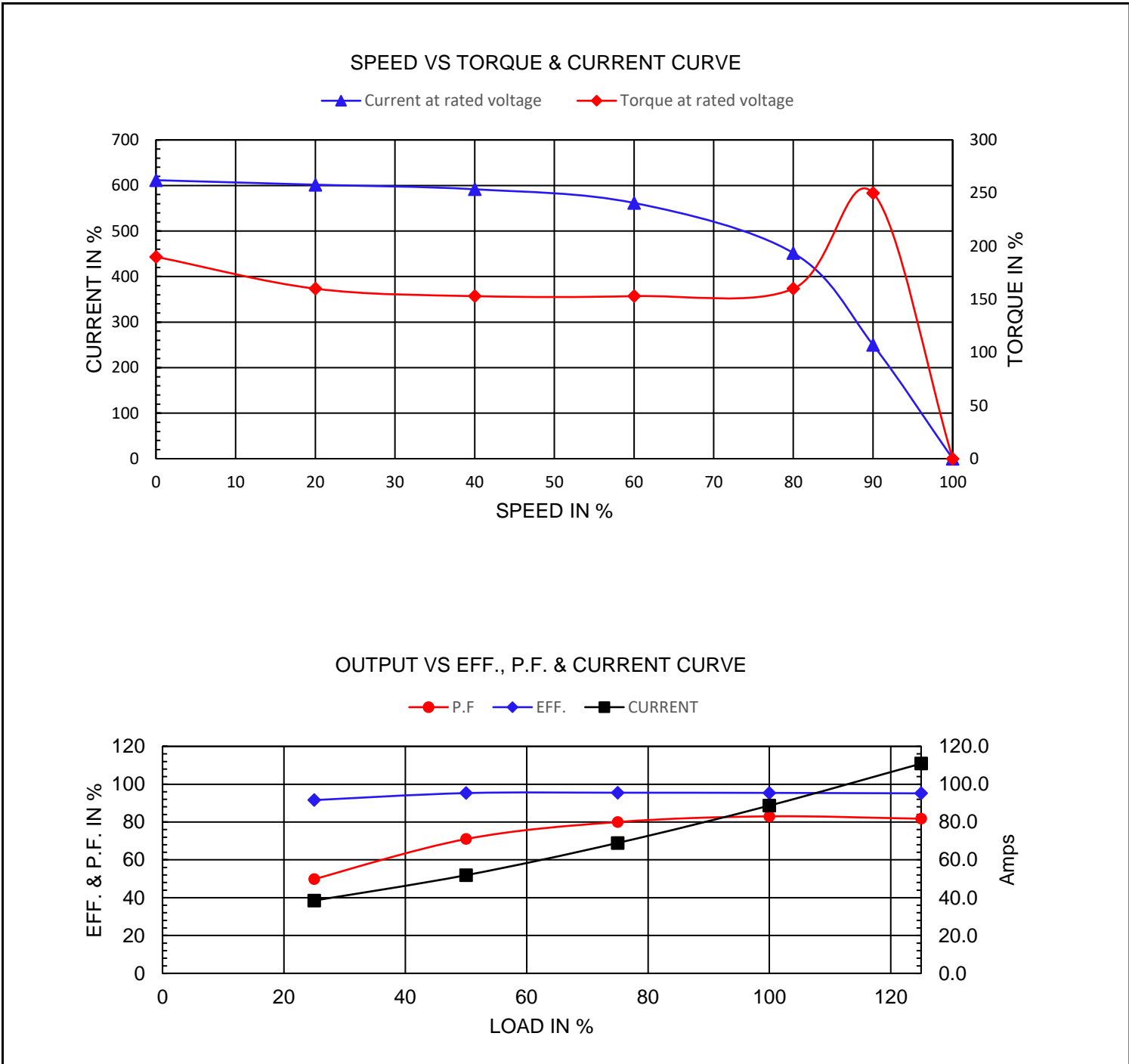


Premium Efficiency Motor:

PEWWE75-18-365TSC

Document Generated:	14-Oct-2024	Customer:	
Document ID:			

Motor Type	PEWWE		
Output Rating (HP)	75	FL Speed	1780
Full Load Torque	221 lb.ft	LRT (%FLT)	190 460 volt FLA 88.7
Rotor Wk^2	17.5 lb-ft^2	BDT (%FLT)	250 230 volt FLA 177



NAMEPLATE / WIRING

WorldWide Electric Corporation

1 (800) 808-2131

Worldwideelectric.net



WORLDWIDE
ELECTRIC CORPORATION

Premium Efficiency Motor:

PEWWE75-18-365TSC

Document Generated: 14-Oct-2024
Document ID:

Customer:

SAMPLE NAMEPLATE DATA

		3-PHASE INDUCTION MOTOR		259277 		50Hz 1.0SF HP % V A rpm
Model		Ser No.		Low Voltage ⑥ ④ ⑤ ⑦ ⑧ ⑨ ⑫ ⑩ ⑪ ① ② ③ L1 L2 L3		
HP		S.F.		Rating	°C Amb Cont	
Frame		P.F.		IP	Encl	
Voltage	230/460	Hz		Code	Type	
Amps		RPM		Ins Cl	Design	
Nom.Eff.	FL	% 3/4	%	10:1 CT 20:1 VT PWM VFD	1.0SF	
Class I DIV. 2 Groups A B C D		Amb.40°C				
Class I Zone 2 IIC		Amb.55°C		Date		
Grease type: LGHP 2 (compatible with polyrex)		DE Brng ODE Brng				
WorldWide Electric Corporation						

Model	PEWWE75-18-365TSC						
HP	75	S.F.	1.25	IP	IP55	Encl	TEFC
Frame	365TSC	P.F.	0.83	Code	G	Type	
Voltage	230/460 V	Hz	60 Hz	Ins Cl	F	Ambient	40°C
Amps	177/88.7	RPM	1780	Design	B	DE Brng	6313 C3
Nom.Eff.	FL	95.4%	3/4	95.5%		ODE Brng	6312 C3
Class 1 Division 2 Groups A,B,C,D					T3A(180°C)	Grease type: SKF LGHP 2	
50Hz							
#N/A	HP	#N/A	#N/A	A	#N/A	rpm	
				Eff.	#N/A		