

DATA SHEET

Premium Efficiency Motor: **PEWWE60-36-364TSC**

60 Hz

WorldWide Electric Corporation

1 (800) 808-2131

Worldwideelectric.net



Document Generated: 14-Oct-2024
Document ID:

Customer:

MOTOR INFORMATION	
HP	60
RPM	3600
Phase	3
Frequency	60 Hz
Voltage	230/460 V
Frame Size	364TSC
Enclosure	TEFC
Degree of Protection	IP55
Service Factor	1.25
Poles	2
Full Load Speed	3560
Insulation Class	F
Temp Rise	80°C
NEMA Code Letter	G
Duty Cycle	S1 / Continuous
Slip	1.10%
NEMA Design	B
Moment of Inertia	7.84 lb.ft.^2
Locked Rotor Time (Hot)	15 seconds
Sound Pressure Level	77 dB(A)
Number of Starts	2 Cold/ 1 Hot
Max Ambient Temperature	40°C
Max Elevation	1000 m.a.s.l (3300 f.a.s.l)
Mounting	F1
Rotation	Bi-Directional
Area of Classification	Class 1 Division 2 Groups A,B,C,D T3A(180°C)
Inverter Rating	10:1 CT / 20:1 VT PWM Type
Standard	NEMA MG-1
Approvals	CSA-US, CE

EFFICIENCY/POWER FACTOR		
LOAD	EFF	P. F.
100%	93.6 %	0.85
75%	93.8 %	0.84
50%	93.2 %	0.78

TORQUE		
FULL LOAD	LRT	BDT
88.5 lb.ft.	190 %	220 %

AMPERAGE INFORMATION		
	230V	460V
Full Load Amps	141A	70.6A
Locked Rotor Amps	870A	435A
No Load Current	38A	19A
Usable at 208V	156A	

BEARING INFORMATION	
DE Bearing	6313 C3
ODE Bearing	6312 C3
Grease Type	SKF LGHP 2
DE Regreasing Interval	1800 Hours
ODE Regreasing Interval	2400 Hours

ADDITIONAL DATA	
F2 Suitable	Yes
Shaft Material	1045 Carbon Steel
Connection Diagram	230 / 460 V - 12 Lead Δ
Approximate Weight	743 lbs.

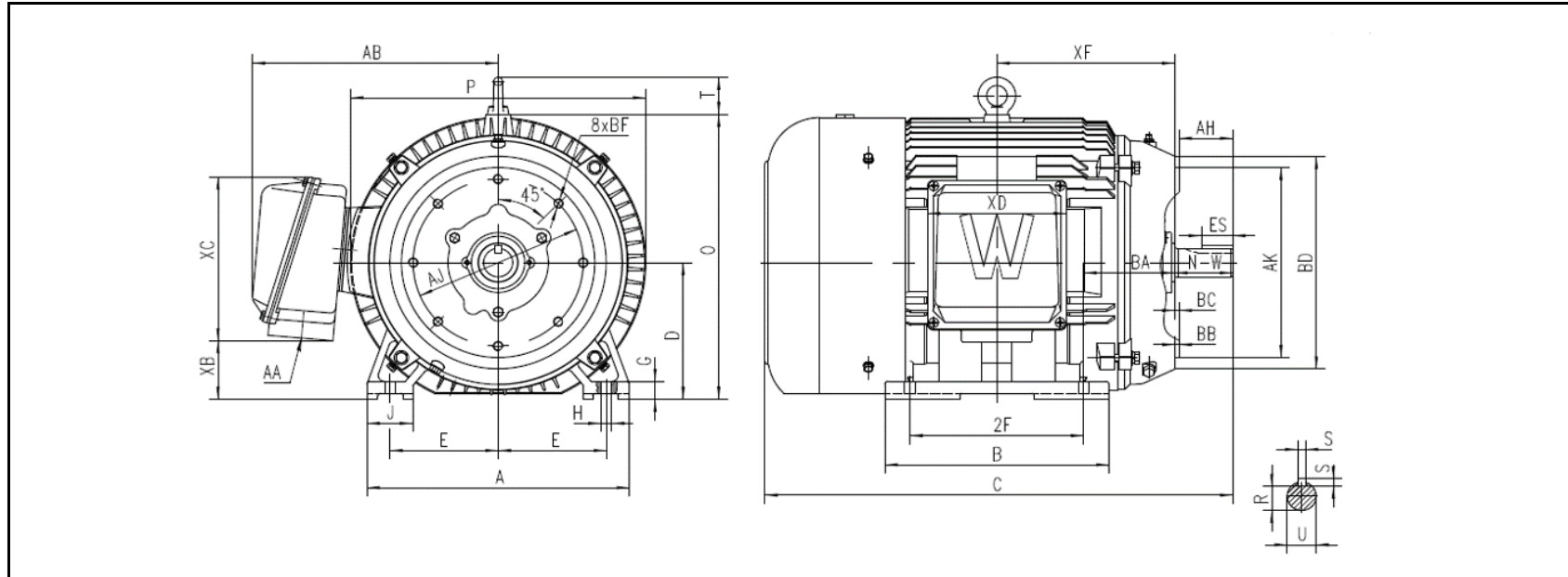
MOTOR DRAWING

Premium Efficiency Motor: **PEWWE60-36-364TSC**

WorldWide Electric Corporation

1 (800) 808-2131

Worldwideelectric.net



DIMENSION - INCHES

MOUNTING					A	B	C	D	G	J	P	O	T	AB
E	2F1	2F	H	BA										
7	--	11.25	0.66	5.88	16.969	14.488	30.246	9	1.181	2.953	19.091	18.8	2.441	15.899

SHAFT & KEY					
S	ES	R	N-W	AH	U
0.5	2.03	1.591	3.75	3.5	1.875

TERMINAL BOX				
AA	XB	XC	XD	XF
3	3.849	10.783	8.976	11.496

FLANGE					
AJ	AK	BB	BD	BF	BC
11	12.5	0.25	13.989	5/8-11	0.25

PERFORMANCE CURVES

WorldWide Electric Corporation

1 (800) 808-2131

Worldwideelectric.net



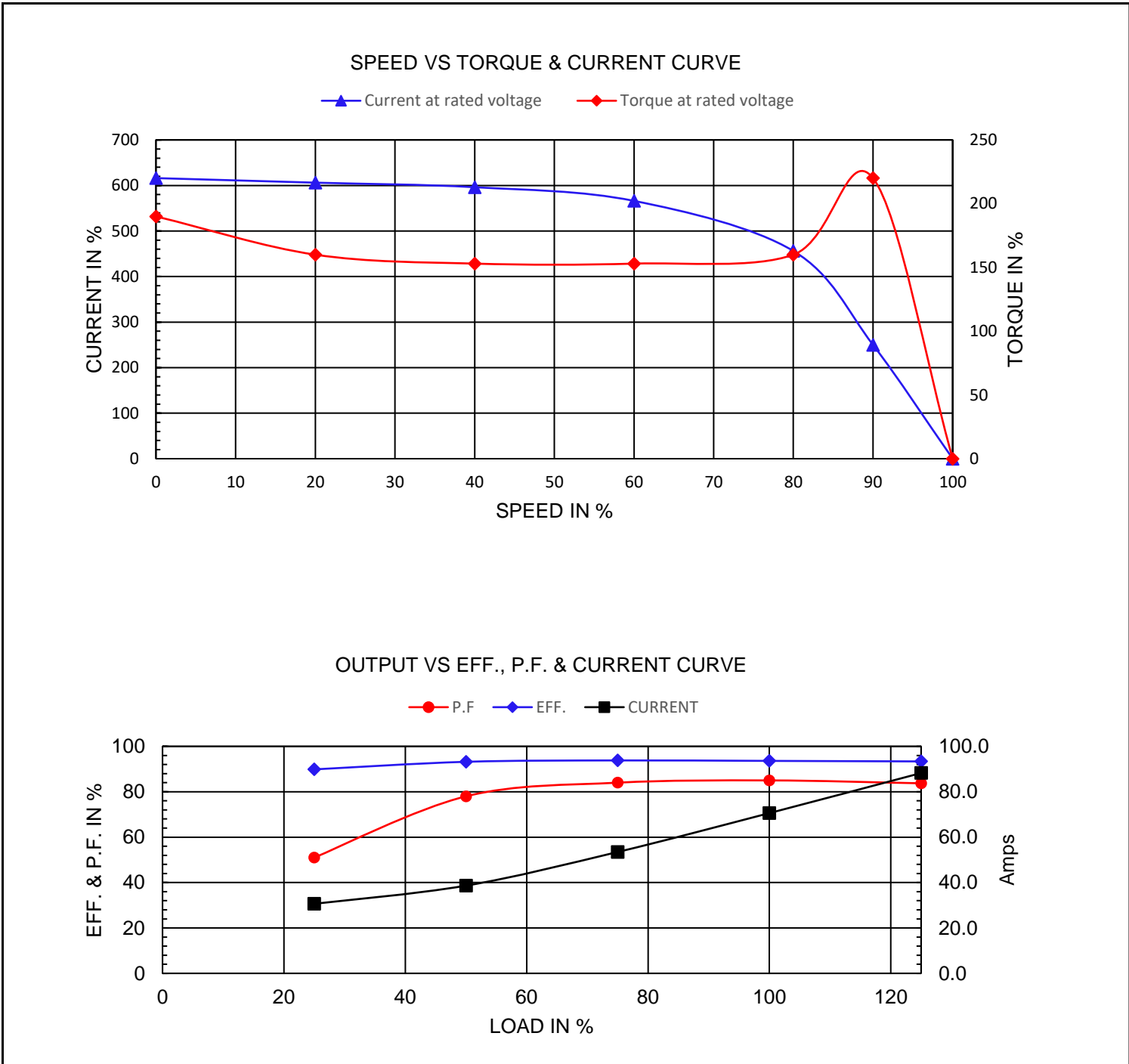
Premium Efficiency Motor:

PEWWE60-36-364TSC

Document Generated: 14-Oct-2024
 Document ID:

Customer:

Motor Type	PEWWE		FL Speed	3560	
Output Rating (HP)	60		LRT (%FLT)	190	460 volt FLA 70.6
Full Load Torque	88.5	lb.ft	BDT (%FLT)	220	230 volt FLA 141
Rotor Wk ²	7.84	lb-ft ²			



NAMEPLATE / WIRING

WorldWide Electric Corporation

1 (800) 808-2131

Worldwideelectric.net



WORLDWIDE
ELECTRIC CORPORATION

Premium Efficiency Motor:

PEWWE60-36-364TSC

Document Generated: 14-Oct-2024
Document ID:

Customer:

SAMPLE NAMEPLATE DATA

		3-PHASE INDUCTION MOTOR		259277 		50Hz 1.0SF HP % V A rpm	
Model		Ser No.		Low Voltage ⑥ ④ ⑤ ⑦ ⑧ ⑨ ⑫ ⑩ ⑪ ① ② ③ L1 L2 L3			
HP		S.F.		Rating	°C Amb Cont		
Frame		P.F.		IP	Encl		
Voltage	230/460	Hz		Code	Type		
Amps		RPM		Ins Cl	Design		
Nom.Eff.	FL	% 3/4	%	10:1 CT	20:1 VT		PWM VFD 1.0SF
Class I DIV. 2 Groups A B C D		Amb.40°C					
Class I Zone 2 IIC		Amb.55°C		Date			
Grease type: LGHP 2 (compatible with polyrex)		DE Brng		ODE Brng			
WorldWide Electric Corporation							

Model	PEWWE60-36-364TSC						
HP	60	S.F.	1.25	IP	IP55	Encl	TEFC
Frame	364TSC	P.F.	0.85	Code	G	Type	
Voltage	230/460 V	Hz	60 Hz	Ins Cl	F	Ambient	40°C
Amps	141/70.6	RPM	3560	Design	B	DE Brng	6313 C3
Nom.Eff.	FL	93.6%	3/4	93.8%		ODE Brng	6312 C3
Class 1 Division 2 Groups A,B,C,D						T3A(180°C)	
						Grease type: SKF LGHP 2	
50Hz							
60 HP		200/400 V		164/81. A		2960 rpm	
Eff. 92.9%							