

DATA SHEET

Premium Efficiency Motor: **PEWWE60-18-364TC**

60 Hz

WorldWide Electric Corporation

1 (800) 808-2131

Worldwideelectric.net



Document Generated: 14-Oct-2024
Document ID:

Customer:

MOTOR INFORMATION

HP	60
RPM	1800
Phase	3
Frequency	60Hz
Voltage	230/460 V
Frame Size	364TC
Enclosure	TEFC
Degree of Protection	IP55
Service Factor	1.25
Poles	4
Full Load Speed	1780
Insulation Class	F
Temp Rise	80°C
NEMA Code Letter	G
Duty Cycle	S1 / Continuous
Slip	1.10%
NEMA Design	B
Moment of Inertia	14 lb.ft.²
Locked Rotor Time (Hot)	14 seconds
Sound Pressure Level	73 dB(A)
Number of Starts	2 Cold/ 1 Hot
Max Ambient Temperature	40°C
Max Elevation	1000 m.a.s.l (3300 f.a.s.l)
Mounting	F1
Rotation	Bi-Directional
Area of Classification	Class 1 Division 2 Groups A,B,C,D T3A(180°C)
Inverter Rating	10:1 CT / 20:1 VT PWM Type
Standard	NEMA MG-1
Approvals	CSA-US, CE

EFFICIENCY/POWER FACTOR

LOAD	EFF	P. F.
100%	95.0 %	0.83
75%	95.3 %	0.80
50%	94.9 %	0.71

TORQUE

FULL LOAD	LRT	BDT
177 lb.ft.	190 %	250 %

AMPERAGE INFORMATION

	230V	460V
Full Load Amps	142A	71.2A
Locked Rotor Amps	870A	435A
No Load Current	52A	26A
Usable at 208V	158A	

BEARING INFORMATION

DE Bearing	6313 C3
ODE Bearing	6312 C3
Grease Type	SKF LGHP 2
DE Regreasing Interval	3000 Hours
ODE Regreasing Interval	4000 Hours

ADDITIONAL DATA

F2 Suitable	Yes
Shaft Material	1045 Carbon Steel
Connection Diagram	230 / 460 V - 12 Lead Δ
Approximate Weight	747 lbs.

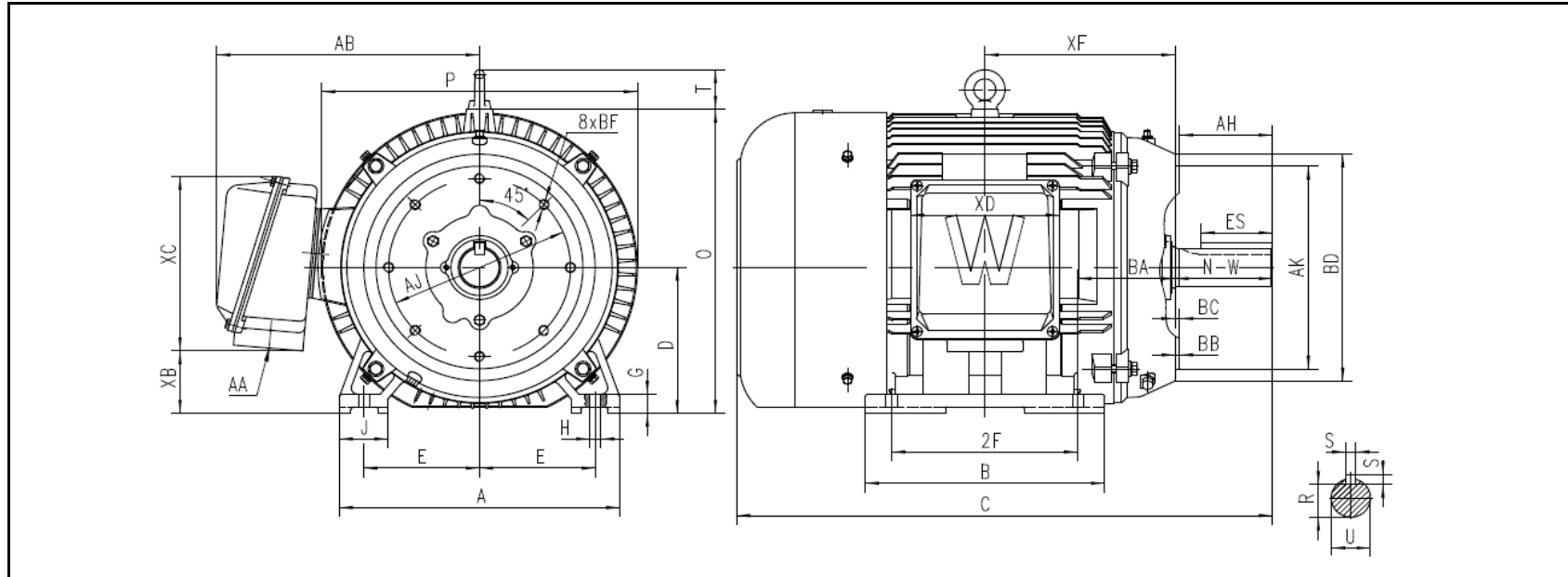
MOTOR DRAWING

Premium Efficiency Motor: **PEWWE60-18-364TC**

WorldWide Electric Corporation

1 (800) 808-2131

Worldwideelectric.net



DIMENSION - INCHES

MOUNTING					A	B	C	D	G	J	P	O	T	AB
E	2F1	2F	H	BA										
7	--	11.25	0.66	5.88	16.969	14.488	32.376	9	1.181	2.953	19.091	18.8	2.441	15.899

SHAFT & KEY					
S	ES	R	N-W	AH	U
0.625	4.28	2.021	5.88	5.62	2.375

TERMINAL BOX				
AA	XB	XC	XD	XF
3	3.849	10.783	8.976	11.496

FLANGE					
AJ	AK	BB	BD	BF	BC
11	12.5	0.25	13.989	5/8-11	0.25

PERFORMANCE CURVES

WorldWide Electric Corporation

1 (800) 808-2131

Worldwideelectric.net



Premium Efficiency Motor:

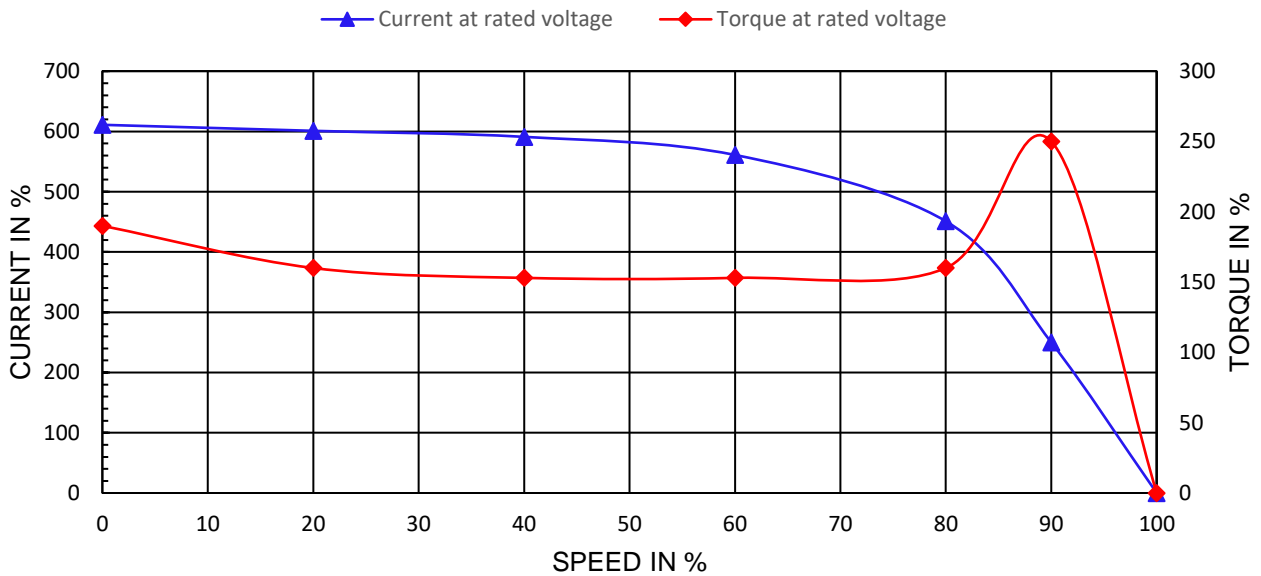
PEWWE60-18-364TC

Document Generated: 14-Oct-2024
Document ID:

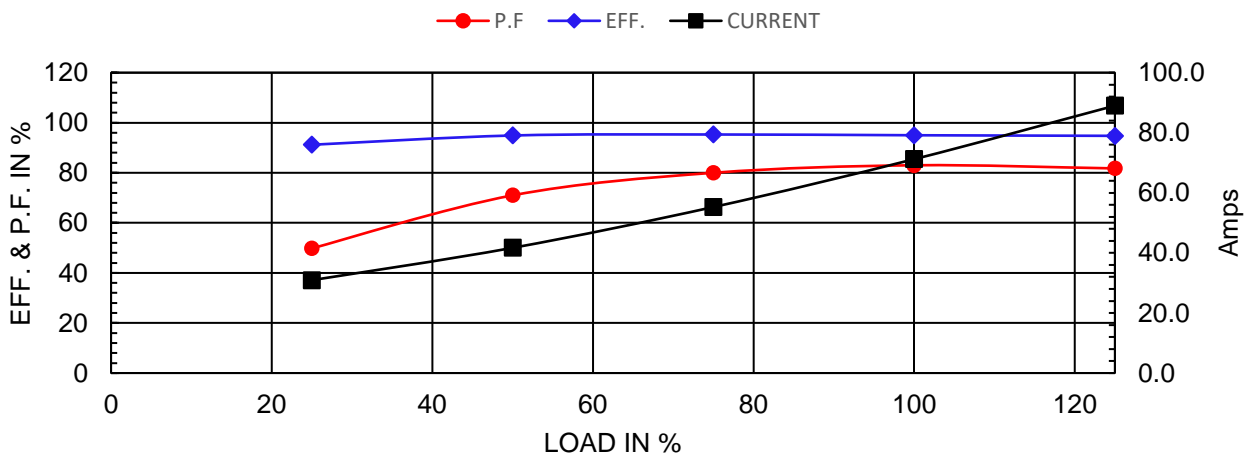
Customer:

Motor Type	PEWWE			FL Speed	1780		
Output Rating (HP)	60			LRT (%FLT)	190	460 volt FLA	71.2
Full Load Torque	177	lb.ft		BDT (%FLT)	250	230 volt FLA	142
Rotor Wk^2	14	lb-ft^2					

SPEED VS TORQUE & CURRENT CURVE



OUTPUT VS EFF., P.F. & CURRENT CURVE



NAMEPLATE / WIRING

Premium Efficiency Motor: **PEWWE60-18-364TC**

WorldWide Electric Corporation

1 (800) 808-2131

Worldwideelectric.net



WORLDWIDE
ELECTRIC CORPORATION

Document Generated: 14-Oct-2024
Document ID:

Customer:

SAMPLE NAMEPLATE DATA

		3-PHASE INDUCTION MOTOR		259277			CC006A																			
Model	<input type="text"/>	Ser No.	<input type="text"/>	<table border="1"> <tr> <td colspan="3">Low Voltage</td> </tr> <tr> <td>6</td><td>4</td><td>5</td> </tr> <tr> <td>7</td><td>8</td><td>9</td> </tr> <tr> <td>12</td><td>10</td><td>11</td> </tr> <tr> <td>1</td><td>2</td><td>3</td> </tr> <tr> <td>L1</td><td>L2</td><td>L3</td> </tr> </table>				Low Voltage			6	4	5	7	8	9	12	10	11	1	2	3	L1	L2	L3	50Hz
Low Voltage																										
6	4	5																								
7	8	9																								
12	10	11																								
1	2	3																								
L1	L2	L3																								
HP	<input type="text"/>	S.F.	<input type="text"/>	Rating	<input type="text"/>	°C Amb Cont																				
Frame	<input type="text"/>	P.F.	<input type="text"/>	IP	<input type="text"/>	Encl	<input type="text"/>																			
Voltage	230/460	Hz	<input type="text"/>	Code	<input type="text"/>	Type	<input type="text"/>																			
Amps	<input type="text"/>	RPM	<input type="text"/>	Ins Cl	<input type="text"/>	Design	<input type="text"/>																			
Nom.Eff.	FL	% 3/4	%	10:1 CT	20:1 VT	PWM	VFD 1.0SF																			
Class I DIV. 2 Groups A B C D		Amb.40°C																								
Class I Zone 2 IIC		Amb.55°C		Date																						
Grease type: LGHP 2 (compatible with polyrex)		DE Brng		ODE Brng																						
WorldWide Electric Corporation																										

Model	<input type="text" value="PEWWE60-18-364TC"/>						
HP	<input type="text" value="60"/>	S.F.	<input type="text" value="1.25"/>	IP	<input type="text" value="IP55"/>	Encl	<input type="text" value="TEFC"/>
Frame	<input type="text" value="364TC"/>	P.F.	<input type="text" value="0.83"/>	Code	<input type="text" value="G"/>	Type	
Voltage	<input type="text" value="230/460 V"/>	Hz	<input type="text" value="60Hz"/>	Ins Cl	<input type="text" value="F"/>	Ambient	<input type="text" value="40°C"/>
Amps	<input type="text" value="142/71.2"/>	RPM	<input type="text" value="1780"/>	Design	<input type="text" value="B"/>	DE Brng	6313 C3
Nom.Eff.	<input type="text" value="FL 95.0% 3/4 95.3%"/>				ODE Brng	6312 C3	
Class 1 Division 2 Groups A,B,C,D						T3A(180°C)	
						Grease type: SKF LGHP 2	
50Hz							
<input type="text" value="60 HP"/>		<input type="text" value="200/400 V"/>		<input type="text" value="167/83. A"/>		<input type="text" value="1480 rpm"/>	
<input type="text" value="Eff. 93.1%"/>							