

DATA SHEET

Premium Efficiency Motor: **PEWWE100-12-444TC**

60 Hz

WorldWide Electric Corporation

1 (800) 808-2131

Worldwideelectric.net



Document Generated: 14-Oct-2024
Document ID:

Customer:

MOTOR INFORMATION	
HP	100
RPM	1200
Phase	3
Frequency	60 Hz
Voltage	230/460 V
Frame Size	444TC
Enclosure	TEFC
Degree of Protection	IP55
Service Factor	1.25
Poles	6
Full Load Speed	1190
Insulation Class	F
Temp Rise	80°C
NEMA Code Letter	G
Duty Cycle	S1 / Continuous
Slip	0.83%
NEMA Design	B
Moment of Inertia	55.7 lb.ft.^2
Locked Rotor Time (Hot)	19 seconds
Sound Pressure Level	74 dB(A)
Number of Starts	2 Cold/ 1 Hot
Max Ambient Temperature	40°C
Max Elevation	1000 m.a.s.l (3300 f.a.s.l)
Mounting	F1
Rotation	Bi-Directional
Area of Classification	Class 1 Division 2 Groups A,B,C,D T3A(180°C)
Inverter Rating	10:1 CT / 20:1 VT PWM Type
Standard	NEMA MG-1
Approvals	CSA-US, CE

EFFICIENCY/POWER FACTOR		
LOAD	EFF	P. F.
100%	95.0 %	0.81
75%	95.3 %	0.78
50%	94.6 %	0.69

TORQUE		
FULL LOAD	LRT	BDT
441 lb.ft.	150 %	230 %

AMPERAGE INFORMATION		
	230V	460V
Full Load Amps	243A	122A
Locked Rotor Amps	1450A	725A
No Load Current	91A	45.5A
Usable at 208V	269A	

BEARING INFORMATION	
DE Bearing	NU318 C3
ODE Bearing	6313 C3
Grease Type	SKF LGHP 2
DE Regreasing Interval	2200 Hours
ODE Regreasing Interval	4500 Hours

ADDITIONAL DATA	
F2 Suitable	Yes
Shaft Material	1045 Carbon Steel
Connection Diagram	230 / 460 V - 12 Lead Δ
Approximate Weight	1425 lbs.

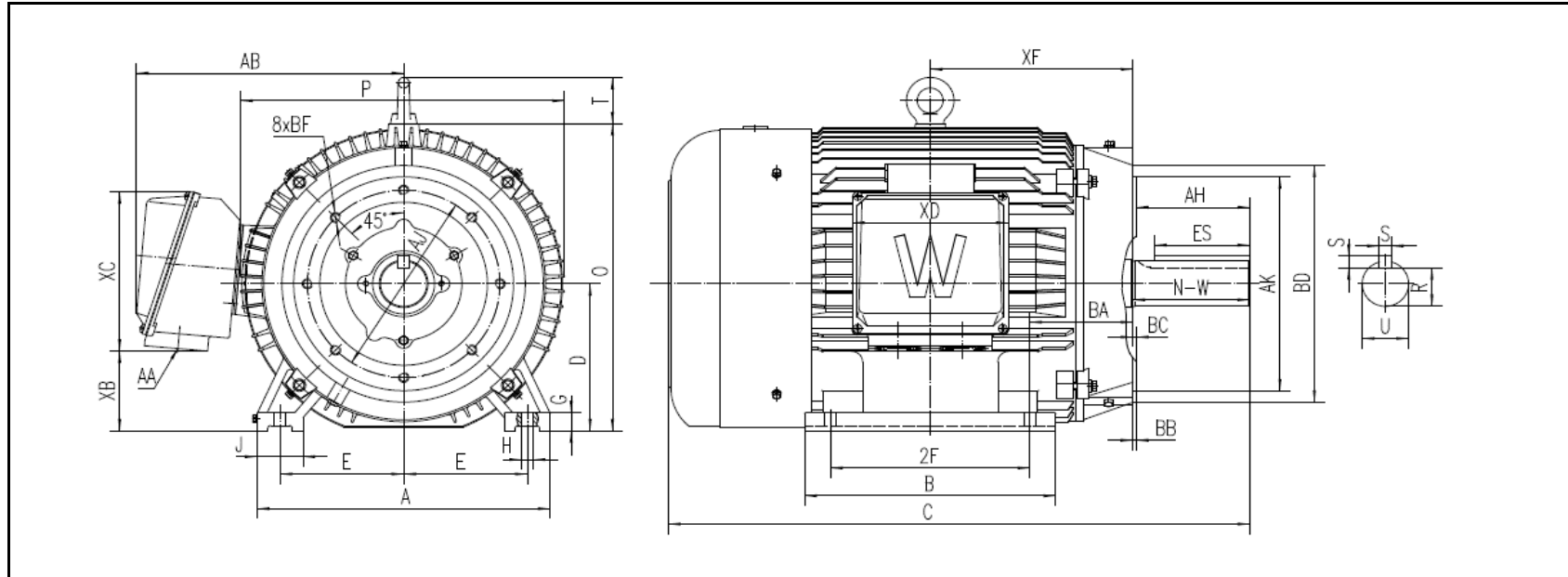
MOTOR DRAWING

Premium Efficiency Motor: **PEWWE100-12-444TC**

WorldWide Electric Corporation

1 (800) 808-2131

Worldwideelectric.net



DIMENSION - INCHES

MOUNTING					A	B	C	D	G	J	P	O	T	AB
E	2F1	2F	H	BA										
9	--	14.5	0.81	7.5	21.339	18.268	42.301	11	1.378	3.346	23.574	22.969	3.465	19.436

SHAFT & KEY					
S	ES	R	N-W	AH	U
0.875	6.91	2.88	8.5	8.25	3.375

TERMINAL BOX				
AA	XB	XC	XD	XF
2 X 3	5.97	11.905	11.339	14.744

FLANGE					
AJ	AK	BB	BD	BF	BC
14	16	0.25	17.717	5/8-11	0.25

PERFORMANCE CURVES

WorldWide Electric Corporation

1 (800) 808-2131

Worldwideelectric.net



Premium Efficiency Motor:

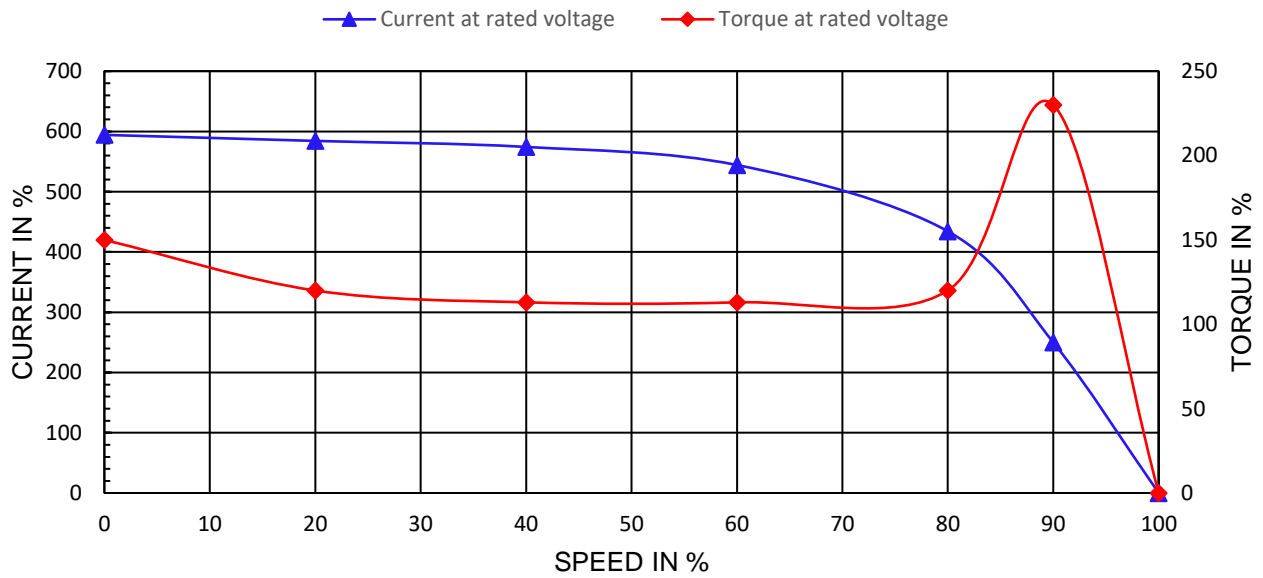
PEWWE100-12-444TC

Document Generated: 14-Oct-2024
 Document ID:

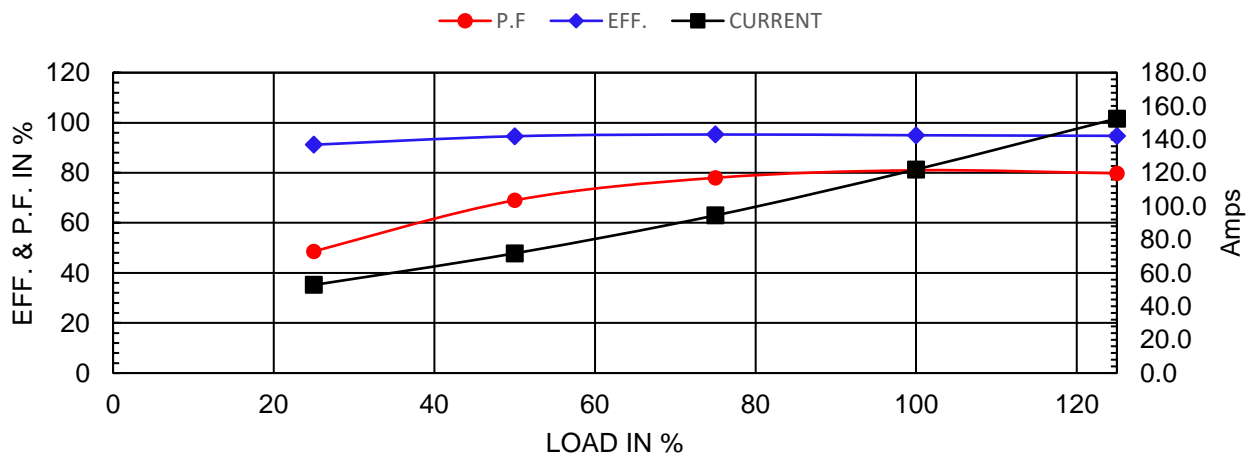
Customer:

Motor Type	PEWWE		FL Speed	1190	
Output Rating (HP)	100		LRT (%FLT)	150	460 volt FLA 122
Full Load Torque	441 lb.ft		BDT (%FLT)	230	230 volt FLA 243
Rotor Wk^2	55.7 lb-ft^2				

SPEED VS TORQUE & CURRENT CURVE



OUTPUT VS EFF., P.F. & CURRENT CURVE



NAMEPLATE / WIRING

Premium Efficiency Motor: **PEWWE100-12-444TC**

WorldWide Electric Corporation

1 (800) 808-2131

Worldwideelectric.net



Document Generated: 14-Oct-2024
Document ID:

Customer:

SAMPLE NAMEPLATE DATA

		3-PHASE INDUCTION MOTOR		259277 		50Hz 1.0SF HP % V A rpm
Model	<input type="text"/>	Ser No.	<input type="text"/>	Low Voltage ⑥ ④ ⑤ ⑦ ⑧ ⑨ ⑫ ⑩ ⑪ ① ② ③ L1 L2 L3		
HP	<input type="text"/> S.F. <input type="text"/>	Rating	<input type="text"/> °C Amb Cont			
Frame	<input type="text"/> P.F. <input type="text"/>	IP	<input type="text"/> Encl <input type="text"/>			
Voltage	230/460 Hz <input type="text"/>	Code	<input type="text"/> Type <input type="text"/>			
Amps	<input type="text"/> RPM <input type="text"/>	Ins Cl	<input type="text"/> Design <input type="text"/>			
Nom.Eff.	FL <input type="text"/> % 3/4 <input type="text"/> % <input type="text"/>	10:1 CT	20:1 VT PWM VFD 1.0SF			
Class I DIV. 2 Groups A B C D		Amb.40°C	<input type="text"/>			
Class I Zone 2 IIC		Amb.55°C	<input type="text"/> Date <input type="text"/>			
Grease type: LGHP 2 (compatible with polyrex)		DE Brng	<input type="text"/>			
		ODE Brng	<input type="text"/>			
WorldWide Electric Corporation						

Model	<input type="text" value="PEWWE100-12-444TC"/>						
HP	<input type="text" value="100"/>	S.F.	<input type="text" value="1.25"/>	IP	<input type="text" value="IP55"/>	Encl	<input type="text" value="TEFC"/>
Frame	<input type="text" value="444TC"/>	P.F.	<input type="text" value="0.81"/>	Code	<input type="text" value="G"/>	Type	
Voltage	<input type="text" value="230/460 V"/>	Hz	<input type="text" value="60 Hz"/>	Ins Cl	<input type="text" value="F"/>	Ambient	<input type="text" value="40°C"/>
Amps	<input type="text" value="243/122"/>	RPM	<input type="text" value="1190"/>	Design	<input type="text" value="B"/>	DE Brng	<input type="text" value="NU318 C3"/>
Nom.Eff.	<input type="text" value="FL 95.0% 3/4 95.3%"/>	ODE Brng	<input type="text" value="6313 C3"/>				
Class 1 Division 2 Groups A,B,C,D T3A(180°C)						Grease type: SKF LGHP 2	
50Hz							
<input type="text" value="100 HP"/>		<input type="text" value="200/400 V"/>		<input type="text" value="284/14.4 A"/>		<input type="text" value="990 rpm"/>	
<input type="text" value="Eff. 93.7%"/>							