

DATA SHEET

Premium Efficiency Motor: **PEWWE100-18-405TSC**

60 Hz

WorldWide Electric Corporation

1 (800) 808-2131

Worldwideelectric.net



Document Generated: 14-Oct-2024
Document ID:

Customer:

MOTOR INFORMATION	
HP	100
RPM	1800
Phase	3
Frequency	60 Hz
Voltage	230/460 V
Frame Size	405TSC
Enclosure	TEFC
Degree of Protection	IP55
Service Factor	1.15
Poles	4
Full Load Speed	1785
Insulation Class	F
Temp Rise	80°C
NEMA Code Letter	G
Duty Cycle	S1 / Continuous
Slip	0.83%
NEMA Design	B
Moment of Inertia	28.1 lb.ft.^2
Locked Rotor Time (Hot)	16 seconds
Sound Pressure Level	74 dB(A)
Number of Starts	2 Cold/ 1 Hot
Max Ambient Temperature	40°C
Max Elevation	1000 m.a.s.l (3300 f.a.s.l)
Mounting	F1
Rotation	Bi-Directional
Area of Classification	Class 1 Division 2 Groups A,B,C,D T3A(180°C)
Inverter Rating	10:1 CT / 20:1 VT PWM Type
Standard	NEMA MG-1
Approvals	CSA-US, CE

EFFICIENCY/POWER FACTOR		
LOAD	EFF	P. F.
100%	95.4 %	0.86
75%	95.6 %	0.84
50%	95.4 %	0.77

TORQUE		
FULL LOAD	LRT	BDT
294 lb.ft.	160 %	250 %

AMPERAGE INFORMATION		
	230V	460V
Full Load Amps	228A	114A
Locked Rotor Amps	1450A	725A
No Load Current	70A	35A
Usable at 208V	252A	

BEARING INFORMATION	
DE Bearing	6316 C3
ODE Bearing	6313 C3
Grease Type	SKF LGHP 2
DE Regreasing Interval	2000 Hours
ODE Regreasing Interval	3000 Hours

ADDITIONAL DATA	
F2 Suitable	No
Shaft Material	1045 Carbon Steel
Connection Diagram	230 / 460 V - 12 Lead Δ
Approximate Weight	1108 lbs.

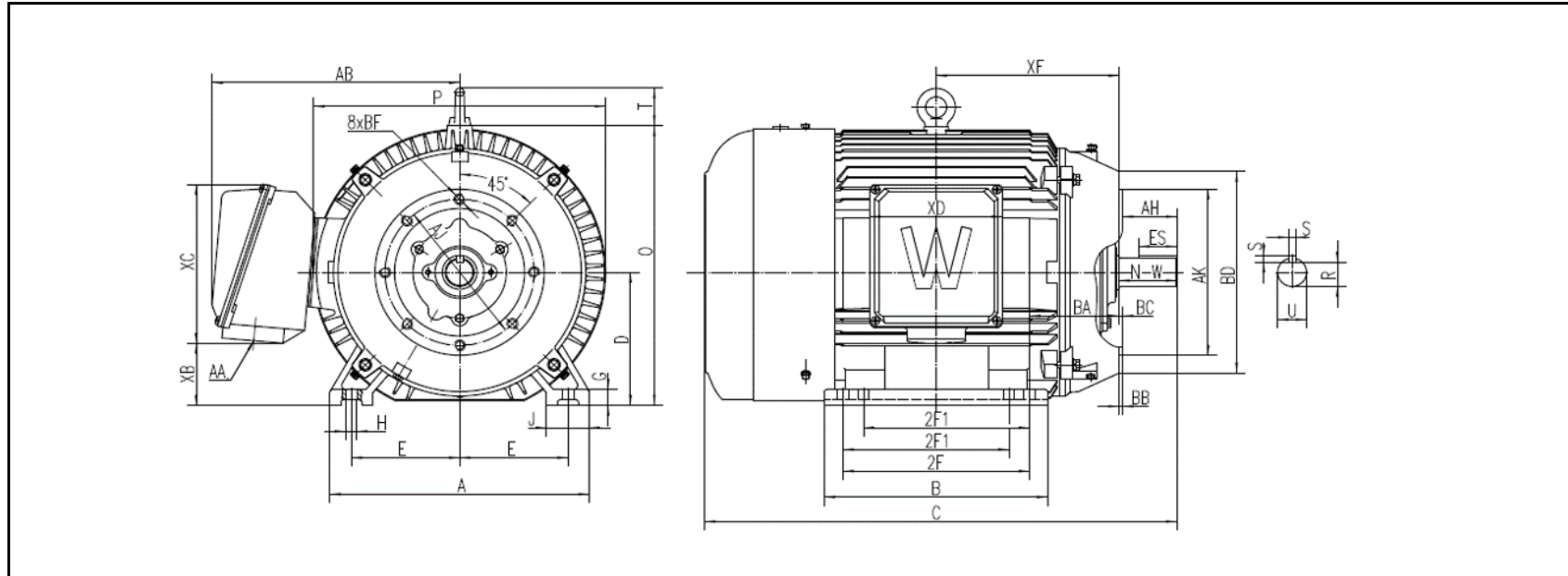
MOTOR DRAWING

Premium Efficiency Motor: **PEWWE100-18-405TSC**

WorldWide Electric Corporation

1 (800) 808-2131

Worldwideelectric.net



DIMENSION - INCHES

MOUNTING					A	B	C	D	G	J	P	O	T	AB
E	2F1	2F	H	BA										
8	12.25	13.75	0.81	6.62	19.136	16.535	34.823	10	1.181	3.15	21.535	21.024	2.835	18.264

SHAFT & KEY					
S	ES	R	N-W	AH	U
0.5	2.78	1.845	4.25	4	2.125

TERMINAL BOX				
AA	XB	XC	XD	XF
3	4.659	11.933	9.764	13.494

FLANGE					
AJ	AK	BB	BD	BF	BC
11	12.5	0.25	15.157	58-11	0.25

PERFORMANCE CURVES

WorldWide Electric Corporation

1 (800) 808-2131

Worldwideelectric.net



Premium Efficiency Motor:

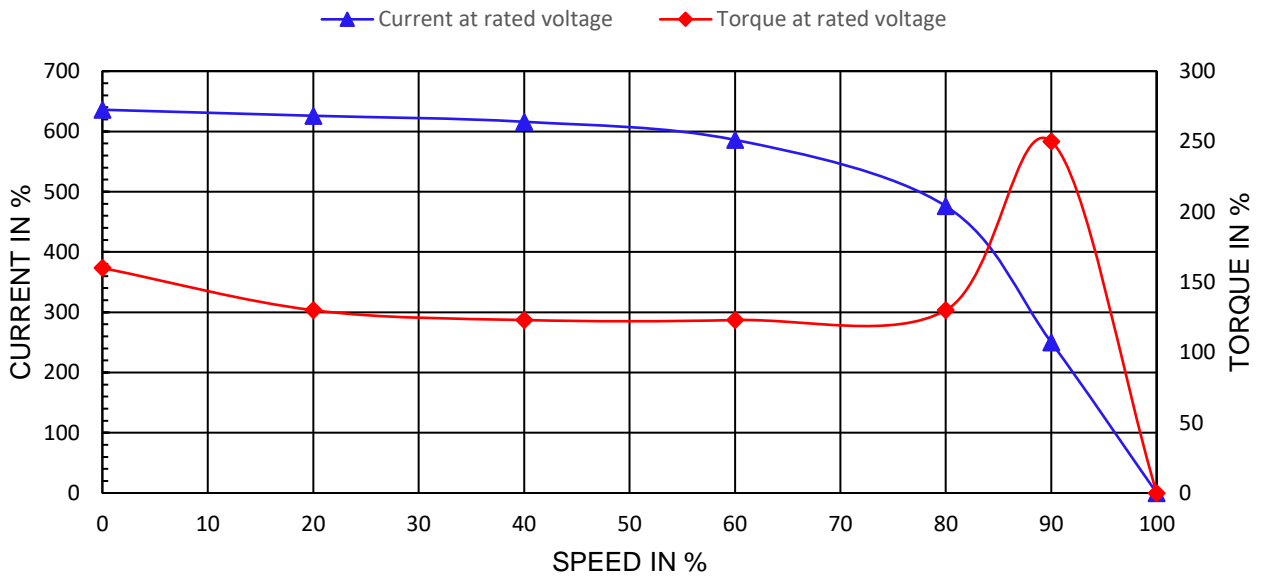
PEWWE100-18-405TSC

Document Generated: 14-Oct-2024
 Document ID:

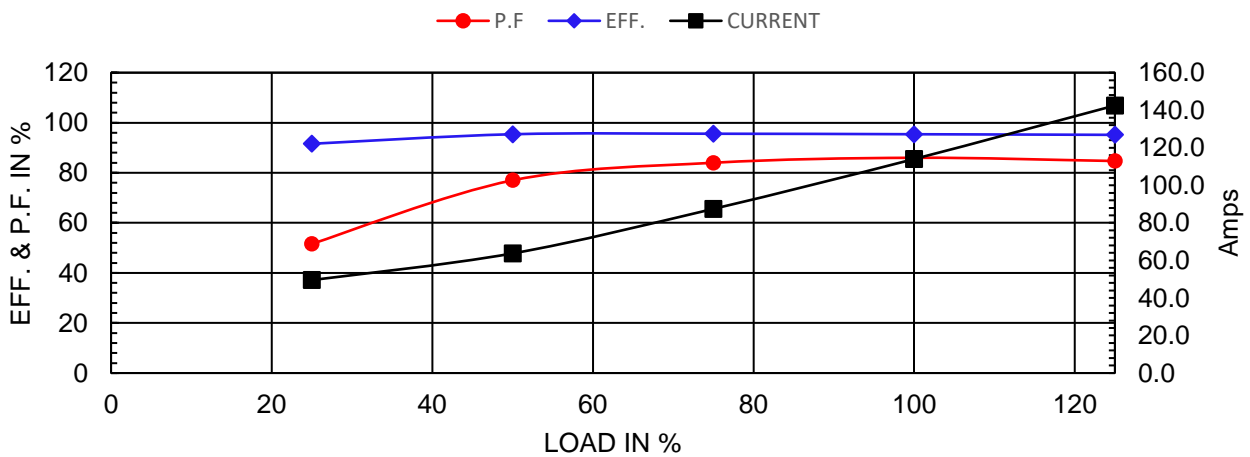
Customer:

Motor Type	PEWWE				
Output Rating (HP)	100	FL Speed	1785		
Full Load Torque	294 lb.ft	LRT (%FLT)	160	460 volt FLA	114
Rotor Wk ²	28.1 lb-ft ²	BDT (%FLT)	250	230 volt FLA	228

SPEED VS TORQUE & CURRENT CURVE



OUTPUT VS EFF., P.F. & CURRENT CURVE



NAMEPLATE / WIRING

Premium Efficiency Motor:

PEWWE100-18-405TSC

WorldWide Electric Corporation

1 (800) 808-2131

Worldwideelectric.net



Document Generated: 14-Oct-2024
Document ID:

Customer:

SAMPLE NAMEPLATE DATA

		3-PHASE INDUCTION MOTOR		259277 		50Hz 1.0SF HP % V A rpm
Model	<input type="text"/>	Ser No.	<input type="text"/>	Low Voltage ⑥ ④ ⑤ ⑦ ⑧ ⑨ ⑫ ⑩ ⑪ ① ② ③ L1 L2 L3		
HP	<input type="text"/> S.F. <input type="text"/>	Rating	<input type="text"/> °C Amb Cont	High Voltage ④ ⑤ ⑥ ⑦ ⑧ ⑨ ⑫ ⑩ ⑪ ① ② ③ L1 L2 L3		
Frame	<input type="text"/> P.F. <input type="text"/>	IP	<input type="text"/> Encl <input type="text"/>			
Voltage	230/460 Hz <input type="text"/>	Code	<input type="text"/> Type <input type="text"/>			
Amps	<input type="text"/> RPM <input type="text"/>	Ins Cl	<input type="text"/> Design <input type="text"/>			
Nom.Eff.	FL <input type="text"/> % 3/4 <input type="text"/> % <input type="text"/>	10:1 CT	20:1 VT PWM VFD 1.0SF			
Class I DIV. 2 Groups A B C D	Amb.40°C <input type="text"/>					
Class I Zone 2 IIC	Amb.55°C <input type="text"/>	Date <input type="text"/>				
Grease type: LGHP 2 (compatible with polyrex)	DE Brng <input type="text"/>	ODE Brng <input type="text"/>				
WorldWide Electric Corporation						

Model	<input type="text" value="PEWWE100-18-405TSC"/>						
HP	<input type="text" value="100"/>	S.F.	<input type="text" value="1.15"/>	IP	<input type="text" value="IP55"/>	Encl	<input type="text" value="TEFC"/>
Frame	<input type="text" value="405TSC"/>	P.F.	<input type="text" value="0.86"/>	Code	<input type="text" value="G"/>	Type	
Voltage	<input type="text" value="230/460 V"/>	Hz	<input type="text" value="60 Hz"/>	Ins Cl	<input type="text" value="F"/>	Ambient	<input type="text" value="40°C"/>
Amps	<input type="text" value="228/114"/>	RPM	<input type="text" value="1785"/>	Design	<input type="text" value="B"/>	DE Brng	<input type="text" value="6316 C3"/>
Nom.Eff.	<input type="text" value="FL 95.4% 3/4 95.6%"/>		ODE Brng	<input type="text" value="6313 C3"/>			
Class 1 Division 2 Groups A,B,C,D T3A(180°C)						Grease type: SKF LGHP 2	
50Hz							
<input type="text" value="100 HP"/>		<input type="text" value="200/400 V"/>		<input type="text" value="266/13: A"/>		<input type="text" value="1485 rpm"/>	
<input type="text" value="Eff. 94%"/>							