

# DATA SHEET

Premium Efficiency Motor: **PEWWE150-18-445TSC**

**60 Hz**

WorldWide Electric Corporation

1 (800) 808-2131

Worldwideelectric.net



Document Generated: 14-Oct-2024  
Document ID:

Customer:

## MOTOR INFORMATION

HP	150
RPM	1800
Phase	3
Frequency	60 Hz
Voltage	230/460 V
Frame Size	445TSC
Enclosure	TEFC
Degree of Protection	IP55
Service Factor	1.25
Poles	4
Full Load Speed	1790
Insulation Class	F
Temp Rise	80°C
NEMA Code Letter	G
Duty Cycle	S1 / Continuous
Slip	0.55%
NEMA Design	B
Moment of Inertia	45.9 lb.ft.^2
Locked Rotor Time (Hot)	19 seconds
Sound Pressure Level	77 dB(A)
Number of Starts	2 Cold/ 1 Hot
Max Ambient Temperature	40°C
Max Elevation	1000 m.a.s.l (3300 f.a.s.l)
Mounting	F1
Rotation	Bi-Directional
Area of Classification	Class 1 Division 2 Groups A,B,C,D T3A(180°C)
Inverter Rating	10:1 CT / 20:1 VT PWM Type
Standard	NEMA MG-1
Approvals	CSA-US, CE

## EFFICIENCY/POWER FACTOR

LOAD	EFF	P. F.
100%	95.8 %	0.84
75%	96.1 %	0.81
50%	95.9 %	0.73

## TORQUE

FULL LOAD	LRT	BDT
440 lb.ft.	160 %	240 %

## AMPERAGE INFORMATION

	230V	460V
Full Load Amps	349A	175A
Locked Rotor Amps	2170A	1085A
No Load Current	116A	58A
Usable at 208V	386A	

## BEARING INFORMATION

DE Bearing	6318 C3
ODE Bearing	6313 C3
Grease Type	SKF LGHP 2
DE Regreasing Interval	1500 Hours
ODE Regreasing Interval	3000 Hours

## ADDITIONAL DATA

F2 Suitable	Yes
Shaft Material	1045 Carbon Steel
Connection Diagram	230 / 460 V - 12 Lead Δ
Approximate Weight	1570 lbs.

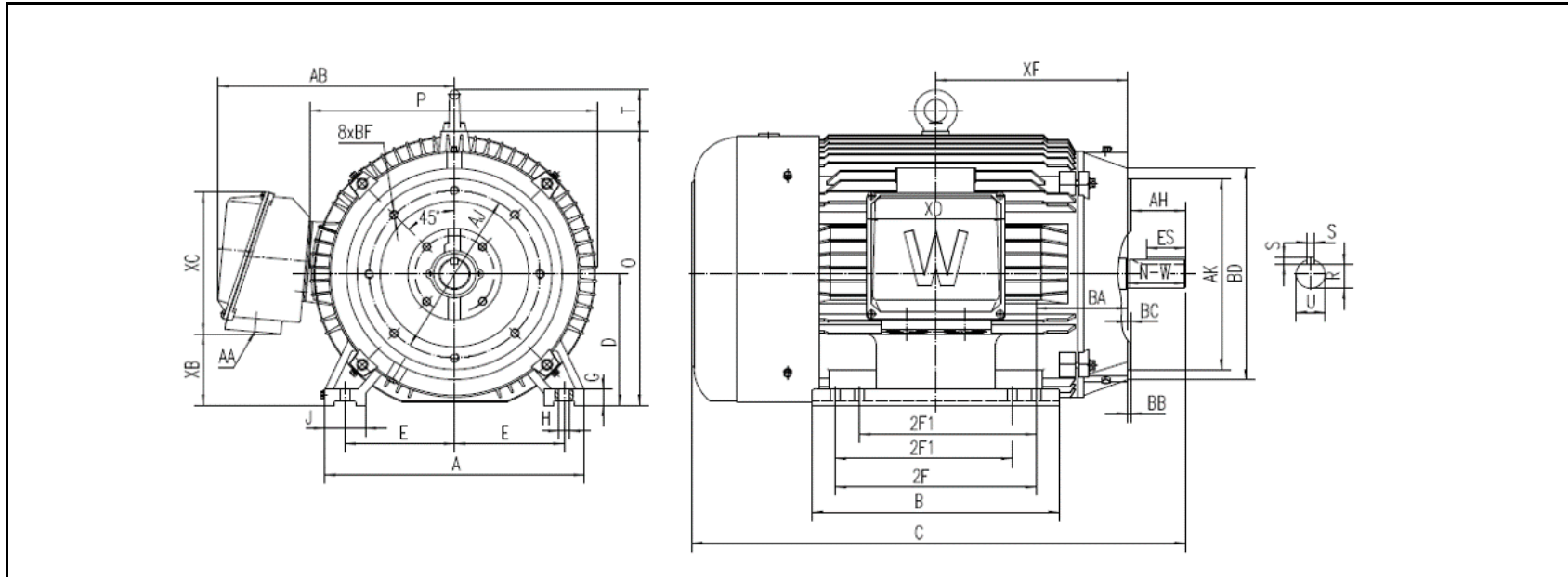
# MOTOR DRAWING

Premium Efficiency Motor: **PEWWE150-18-445TSC**

WorldWide Electric Corporation

1 (800) 808-2131

Worldwideelectric.net



## DIMENSION - INCHES

MOUNTING					A	B	C	D	G	J	P	O	T	AB
E	2F1	2F	H	BA										
9	14.5	16.5	0.81	7.5	21.339	20.276	40.553	11	1.378	3.346	23.574	22.969	3.465	19.436

SHAFT & KEY					
S	ES	R	N-W	AH	U
0.625	3.03	2.021	4.75	4.5	2.375

TERMINAL BOX				
AA	XB	XC	XD	XF
2 X 3	5.97	11.905	11.339	15.748

FLANGE					
AJ	AK	BB	BD	BF	BC
14	16	0.25	17.717	5/8-11	0.25

# PERFORMANCE CURVES

WorldWide Electric Corporation

1 (800) 808-2131

Worldwideelectric.net



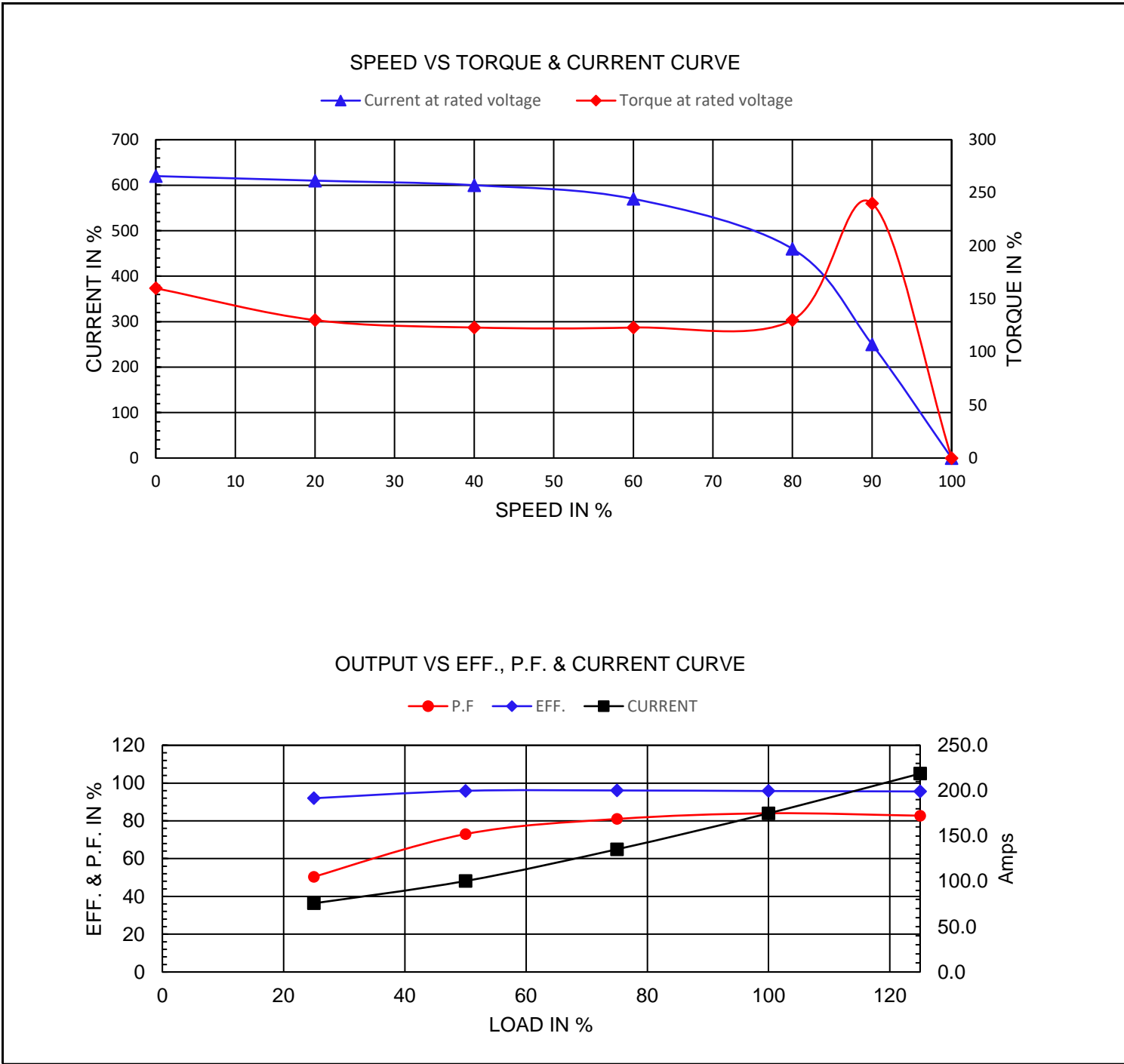
Premium Efficiency Motor:

**PEWWE150-18-445TSC**

Document Generated: 14-Oct-2024  
 Document ID:

Customer:

Motor Type	PEWWE		FL Speed	1790	
Output Rating (HP)	150		LRT (%FLT)	160	460 volt FLA 175
Full Load Torque	440 lb.ft		BDT (%FLT)	240	230 volt FLA 349
Rotor Wk <sup>2</sup>	45.9 lb-ft <sup>2</sup>				



# NAMEPLATE / WIRING

WorldWide Electric Corporation

1 (800) 808-2131

Worldwideelectric.net



**WorldWide**  
ELECTRIC CORPORATION

Premium Efficiency Motor:

**PEWWE150-18-445TSC**

Document Generated: 14-Oct-2024  
Document ID:

Customer:

## SAMPLE NAMEPLATE DATA

		<b>3-PHASE</b> <b>INDUCTION MOTOR</b>		259277 		50Hz  1.0SF  HP  %  V  A  rpm
Model	<input type="text"/>	Ser No.	<input type="text"/>	Low Voltage ⑥ ④ ⑤ ⑦ ⑧ ⑨ ⑫ ⑩ ⑪ ① ② ③ L1 L2 L3		
HP	<input type="text"/> S.F. <input type="text"/>	Rating	<input type="text"/> °C Amb Cont			
Frame	<input type="text"/> P.F. <input type="text"/>	IP	<input type="text"/> Encl <input type="text"/>			
Voltage	230/460 Hz <input type="text"/>	Code	<input type="text"/> Type <input type="text"/>			
Amps	<input type="text"/> RPM <input type="text"/>	Ins Cl	<input type="text"/> Design <input type="text"/>			
Nom.Eff.	FL <input type="text"/> % 3/4 <input type="text"/> % <input type="text"/>	10:1 CT	20:1 VT PWM VFD 1.0SF	High Voltage ④ ⑤ ⑥ ⑦ ⑧ ⑨ ⑫ ⑩ ⑪ ① ② ③ L1 L2 L3		
Class I DIV. 2 Groups A B C D		Amb.40°C	<input type="text"/>			
Class I Zone 2 IIC		Amb.55°C	<input type="text"/>	Date <input type="text"/>		
Grease type: LGHP 2 (compatible with polyrex)		DE Brng	<input type="text"/>			
		ODE Brng	<input type="text"/>			
<b>WorldWide Electric Corporation</b>						

Model	<input type="text" value="PEWWE150-18-445TSC"/>					
HP	<input type="text" value="150"/>	S.F.	<input type="text" value="1.25"/>	IP	<input type="text" value="IP55"/>	Encl <input type="text" value="TEFC"/>
Frame	<input type="text" value="445TSC"/>	P.F.	<input type="text" value="0.84"/>	Code	<input type="text" value="G"/>	Type
Voltage	<input type="text" value="230/460 V"/>	Hz	<input type="text" value="60 Hz"/>	Ins Cl	<input type="text" value="F"/>	Ambient <input type="text" value="40°C"/>
Amps	<input type="text" value="349/175"/>	RPM	<input type="text" value="1790"/>	Design	<input type="text" value="B"/>	DE Brng <input type="text" value="6318 C3"/>
Nom.Eff.	<input type="text" value="FL 95.8% 3/4 96.1%"/>			ODE Brng <input type="text" value="6313 C3"/>		
Class 1 Division 2 Groups A,B,C,D				T3A(180°C)		Grease type: <input type="text" value="SKF LGHP 2"/>
50Hz						
<input type="text" value="150 HP"/>		<input type="text" value="200/400 V"/>		<input type="text" value="407/20: A"/>		<input type="text" value="1490 rpm"/>
<input type="text" value="Eff. 94.5%"/>						