

DATA SHEET

Premium Efficiency Motor: **PEWWE150-18-445TC**

60 Hz

WorldWide Electric Corporation

1 (800) 808-2131

Worldwideelectric.net



Document Generated: 14-Oct-2024
Document ID:

Customer:

| MOTOR INFORMATION | |
|-------------------------|--|
| HP | 150 |
| RPM | 1800 |
| Phase | 3 |
| Frequency | 60 Hz |
| Voltage | 230/460 V |
| Frame Size | 445TC |
| Enclosure | TEFC |
| Degree of Protection | IP55 |
| Service Factor | 1.25 |
| Poles | 4 |
| Full Load Speed | 1790 |
| Insulation Class | F |
| Temp Rise | 80°C |
| NEMA Code Letter | G |
| Duty Cycle | S1 / Continuous |
| Slip | 0.55% |
| NEMA Design | B |
| Moment of Inertia | 45.9 lb.ft.^2 |
| Locked Rotor Time (Hot) | 19 seconds |
| Sound Pressure Level | 77 dB(A) |
| Number of Starts | 2 Cold/ 1 Hot |
| Max Ambient Temperature | 40°C |
| Max Elevation | 1000 m.a.s.l (3300 f.a.s.l) |
| Mounting | F1 |
| Rotation | Bi-Directional |
| Area of Classification | Class 1 Division 2 Groups A,B,C,D T3A(180°C) |
| Inverter Rating | 10:1 CT / 20:1 VT PWM Type |
| Standard | NEMA MG-1 |
| Approvals | CSA-US, CE |

| EFFICIENCY/POWER FACTOR | | |
|-------------------------|--------|-------|
| LOAD | EFF | P. F. |
| 100% | 95.8 % | 0.84 |
| 75% | 96.1 % | 0.81 |
| 50% | 95.9 % | 0.73 |

| TORQUE | | |
|------------|-------|-------|
| FULL LOAD | LRT | BDT |
| 440 lb.ft. | 160 % | 240 % |

| AMPERAGE INFORMATION | | |
|----------------------|-------|-------|
| | 230V | 460V |
| Full Load Amps | 349A | 175A |
| Locked Rotor Amps | 2170A | 1085A |
| No Load Current | 116A | 58A |
| Usable at 208V | 386A | |

| BEARING INFORMATION | |
|-------------------------|------------|
| DE Bearing | 6318 C3 |
| ODE Bearing | 6313 C3 |
| Grease Type | SKF LGHP 2 |
| DE Regreasing Interval | 1500 Hours |
| ODE Regreasing Interval | 3000 Hours |

| ADDITIONAL DATA | |
|--------------------|-------------------------|
| F2 Suitable | Yes |
| Shaft Material | 1045 Carbon Steel |
| Connection Diagram | 230 / 460 V - 12 Lead Δ |
| Approximate Weight | 1570 lbs. |

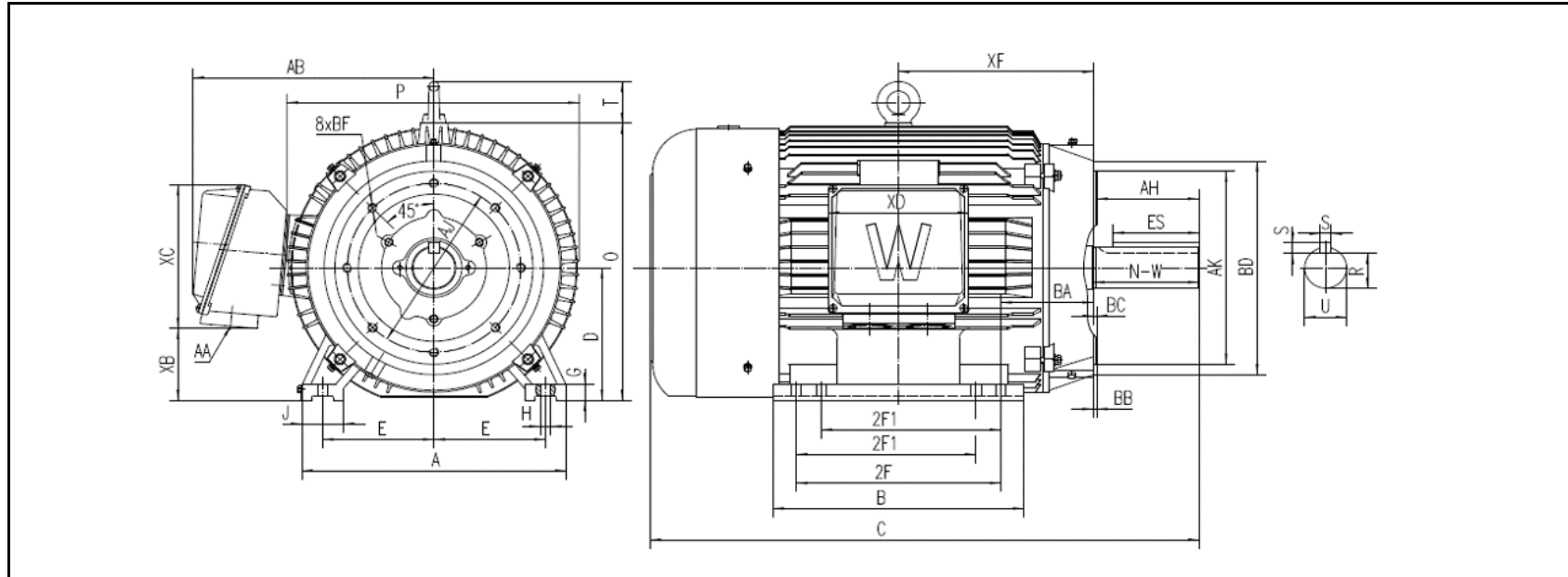
MOTOR DRAWING

Premium Efficiency Motor: **PEWWE150-18-445TC**

WorldWide Electric Corporation

1 (800) 808-2131

Worldwideelectric.net



DIMENSION - INCHES

| MOUNTING | | | | | A | B | C | D | G | J | P | O | T | AB |
|----------|------|------|------|-----|--------|--------|--------|----|-------|-------|--------|--------|-------|--------|
| E | 2F1 | 2F | H | BA | | | | | | | | | | |
| 9 | 14.5 | 16.5 | 0.81 | 7.5 | 21.339 | 20.276 | 44.309 | 11 | 1.378 | 3.346 | 23.574 | 22.969 | 3.465 | 19.436 |

| SHAFT & KEY | | | | | |
|-------------|------|------|-----|------|-------|
| S | ES | R | N-W | AH | U |
| 0.875 | 6.91 | 2.88 | 8.5 | 8.25 | 3.375 |

| TERMINAL BOX | | | | |
|--------------|------|--------|--------|--------|
| AA | XB | XC | XD | XF |
| 2 X 3 | 5.97 | 11.905 | 11.339 | 15.748 |

| FLANGE | | | | | |
|--------|----|------|-------|--------|------|
| AJ | AK | BB | BD | BF | BC |
| 14 | 16 | 0.25 | 17.17 | 5/8-11 | 0.25 |

PERFORMANCE CURVES

WorldWide Electric Corporation

1 (800) 808-2131

Worldwideelectric.net



Premium Efficiency Motor:

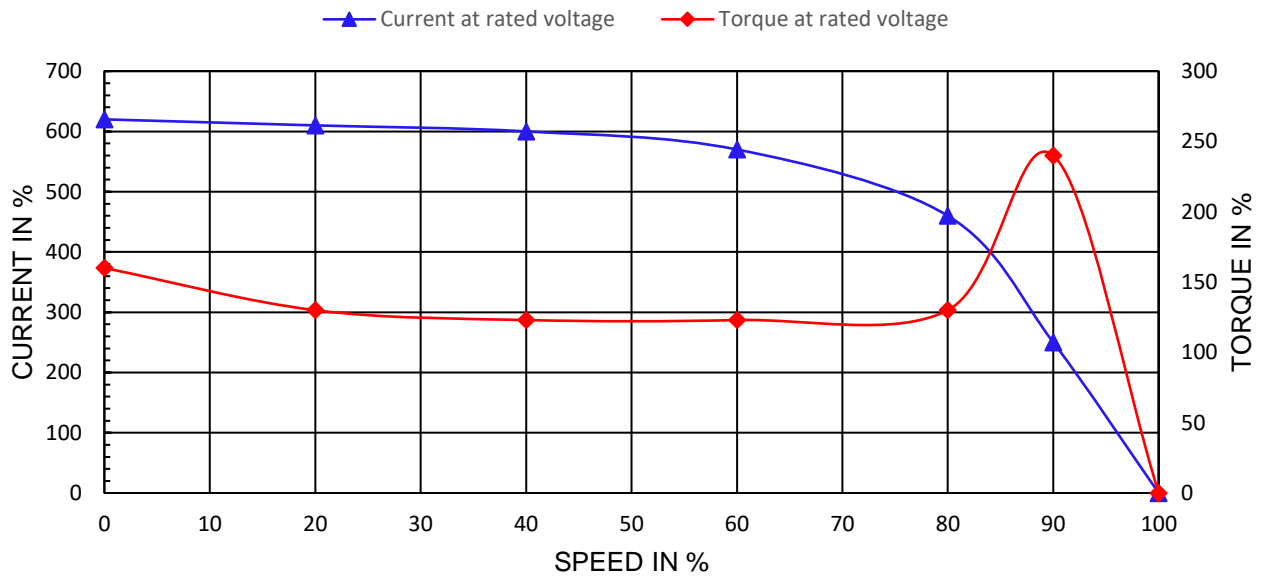
PEWWE150-18-445TC

Document Generated: 14-Oct-2024
Document ID:

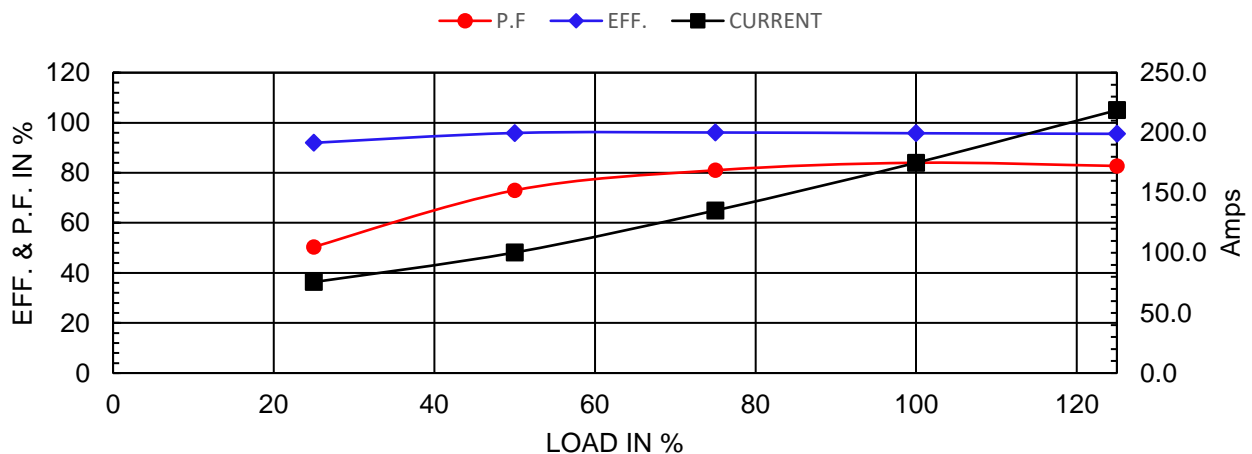
Customer:

| | | | | | | |
|-----------------------|-------|--------------------|------------|------|--------------|-----|
| Motor Type | PEWWE | | FL Speed | 1790 | | |
| Output Rating (HP) | 150 | | LRT (%FLT) | 160 | 460 volt FLA | 175 |
| Full Load Torque | 440 | lb.ft | BDT (%FLT) | 240 | 230 volt FLA | 349 |
| Rotor Wk ² | 45.9 | lb-ft ² | | | | |

SPEED VS TORQUE & CURRENT CURVE



OUTPUT VS EFF., P.F. & CURRENT CURVE



NAMEPLATE / WIRING

Premium Efficiency Motor: **PEWWE150-18-445TC**

WorldWide Electric Corporation

1 (800) 808-2131

Worldwideelectric.net



Document Generated: 14-Oct-2024
Document ID:

Customer:

SAMPLE NAMEPLATE DATA

| | | | | | | |
|---|---|--|--|---|--|---|
| | | 3-PHASE INDUCTION MOTOR | | 259277 | | 50Hz 1.0SF HP % V A rpm |
| Model | <input type="text"/> | Ser No. | <input type="text"/> | Low Voltage ⑥ ④ ⑤ ⑦ ⑧ ⑨ ⑫ ⑩ ⑪ ① ② ③ L1 L2 L3 | | |
| HP | <input type="text"/> S.F. <input type="text"/> | Rating | <input type="text"/> °C Amb Cont | | | |
| Frame | <input type="text"/> P.F. <input type="text"/> | IP | <input type="text"/> Encl <input type="text"/> | | | |
| Voltage | 230/460 Hz <input type="text"/> | Code | <input type="text"/> Type <input type="text"/> | | | |
| Amps | <input type="text"/> RPM <input type="text"/> | Ins Cl | <input type="text"/> Design <input type="text"/> | | | |
| Nom.Eff. | FL <input type="text"/> % 3/4 <input type="text"/> % <input type="text"/> | 10:1 CT | 20:1 VT PWM VFD 1.0SF | | | |
| Class I DIV. 2 Groups A B C D | | Amb.40°C | <input type="text"/> | | | |
| Class I Zone 2 IIC | | Amb.55°C | <input type="text"/> | | | |
| Grease type: LGHP 2 (compatible with polyrex) | | DE Brng | <input type="text"/> | | | |
| | | ODE Brng | <input type="text"/> | | | |
| WorldWide Electric Corporation | | | | | | |

| | | | | | | | |
|--|---|--|------------------------------------|--|--------------------------------------|---------------------------------------|--------------------------------------|
| Model | <input type="text" value="PEWWE150-18-445TC"/> | | | | | | |
| HP | <input type="text" value="150"/> | S.F. | <input type="text" value="1.25"/> | IP | <input type="text" value="IP55"/> | Encl | <input type="text" value="TEFC"/> |
| Frame | <input type="text" value="445TC"/> | P.F. | <input type="text" value="0.84"/> | Code | <input type="text" value="G"/> | Type | |
| Voltage | <input type="text" value="230/460 V"/> | Hz | <input type="text" value="60 Hz"/> | Ins Cl | <input type="text" value="F"/> | Ambient | <input type="text" value="40°C"/> |
| Amps | <input type="text" value="349/175"/> | RPM | <input type="text" value="1790"/> | Design | <input type="text" value="B"/> | DE Brng | <input type="text" value="6318 C3"/> |
| Nom.Eff. | <input type="text" value="FL 95.8% 3/4 96.1%"/> | | | ODE Brng | <input type="text" value="6313 C3"/> | | |
| Class 1 Division 2 Groups A,B,C,D T3A(180°C) | | | | | | Grease type: SKF LGHP 2 | |
| 50Hz | | | | | | | |
| <input type="text" value="150 HP"/> | | <input type="text" value="200/400 V"/> | | <input type="text" value="407/20: A"/> | | <input type="text" value="1490 rpm"/> | |
| <input type="text" value="Eff. 94.5%"/> | | | | | | | |