

DATA SHEET

Premium Efficiency Motor: **PEWWE200-12-449TC**

60 Hz

WorldWide Electric Corporation

1 (800) 808-2131

Worldwideelectric.net



Document Generated: 14-Oct-2024

Document ID:

Customer:

MOTOR INFORMATION

HP	200
RPM	1200
Phase	3
Frequency	60 Hz
Voltage	230/460 V
Frame Size	449TC
Enclosure	TEFC
Degree of Protection	IP55
Service Factor	1.25
Poles	6
Full Load Speed	1190
Insulation Class	F
Temp Rise	80°C
NEMA Code Letter	G
Duty Cycle	S1 / Continuous
Slip	0.83%
NEMA Design	B
Moment of Inertia	108 lb.ft.^2
Locked Rotor Time (Hot)	14 seconds
Sound Pressure Level	78 dB(A)
Number of Starts	2 Cold/ 1 Hot
Max Ambient Temperature	40°C
Max Elevation	1000 m.a.s.l (3300 f.a.s.l)
Mounting	F1
Rotation	Bi-Directional
Area of Classification	Class 1 Division 2 Groups A,B,C,D T3(200°C)
Inverter Rating	10:1 CT / 20:1 VT PWM Type
Standard	NEMA MG-1
Approvals	CSA-US, CE

EFFICIENCY/POWER FACTOR

LOAD	EFF	P. F.
100%	95.8 %	0.8
75%	95.7 %	0.75
50%	95.0 %	0.64

TORQUE

FULL LOAD	LRT	BDT
882 lb.ft.	190 %	250 %

AMPERAGE INFORMATION

	230V	460V
Full Load Amps	489A	244A
Locked Rotor Amps	2900A	1450A
No Load Current	190A	95A
Usable at 208V	540A	

BEARING INFORMATION

DE Bearing	6320 C3
ODE Bearing	6320 C3
Grease Type	SKF LGHP 2
DE Regreasing Interval	2000 Hours
ODE Regreasing Interval	2700 Hours

ADDITIONAL DATA

F2 Suitable	Yes
Shaft Material	4140 Carbon Steel
Connection Diagram	230 / 460 V - 12 Lead (2Δ/Δ)
Approximate Weight	2664 lbs.

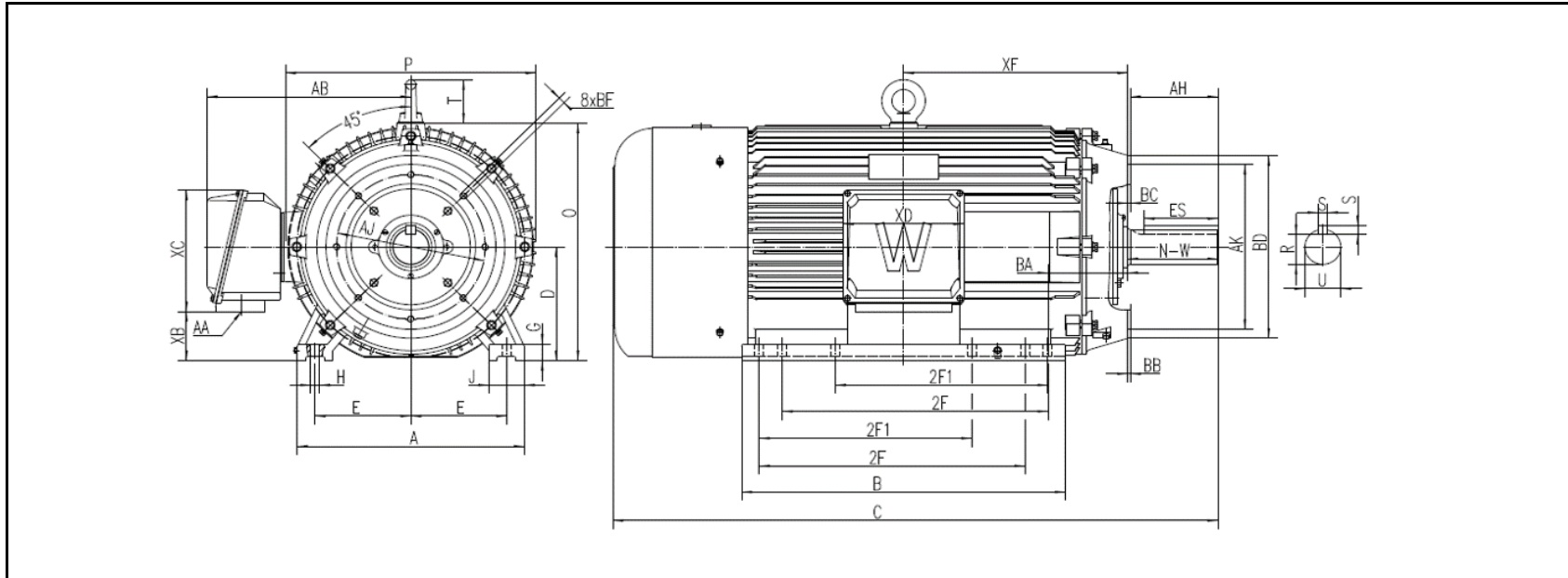
MOTOR DRAWING

Premium Efficiency Motor: **PEWWE200-12-449TC**

WorldWide Electric Corporation

1 (800) 808-2131

Worldwideelectric.net



DIMENSION - INCHES

MOUNTING					A	B	C	D	G	J	P	O	T	AB
E	2F1	2F	H	BA										
9	20	25	0.81	7.5	21.339	30.472	56.945	11	1.575	3.346	23.554	22.969	4.213	19.171

SHAFT & KEY					
S	ES	R	N-W	AH	U
0.875	6.91	2.88	8.5	8.25	3.375

TERMINAL BOX				
AA	XB	XC	XD	XF
2 X 3	4.74	11.813	11.339	21.087

FLANGE					
AJ	AK	BB	BD	BF	BC
14	16	0.25	17.717	5/8-11	0.25

PERFORMANCE CURVES

WorldWide Electric Corporation

1 (800) 808-2131

Worldwideelectric.net



Premium Efficiency Motor:

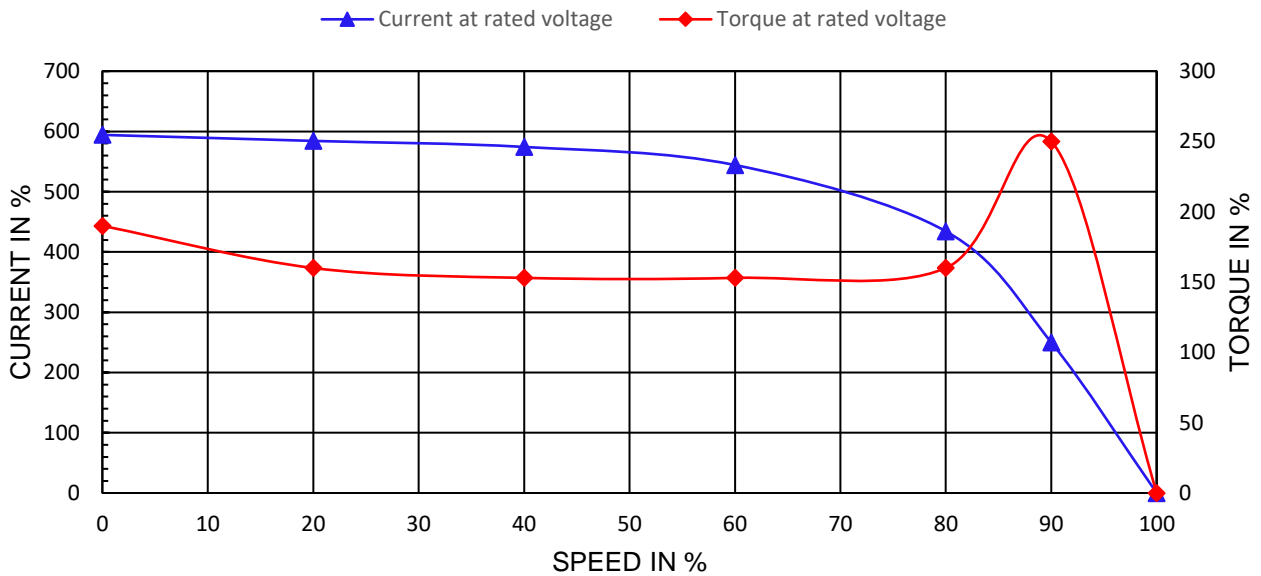
PEWWE200-12-449TC

Document Generated: 14-Oct-2024
 Document ID:

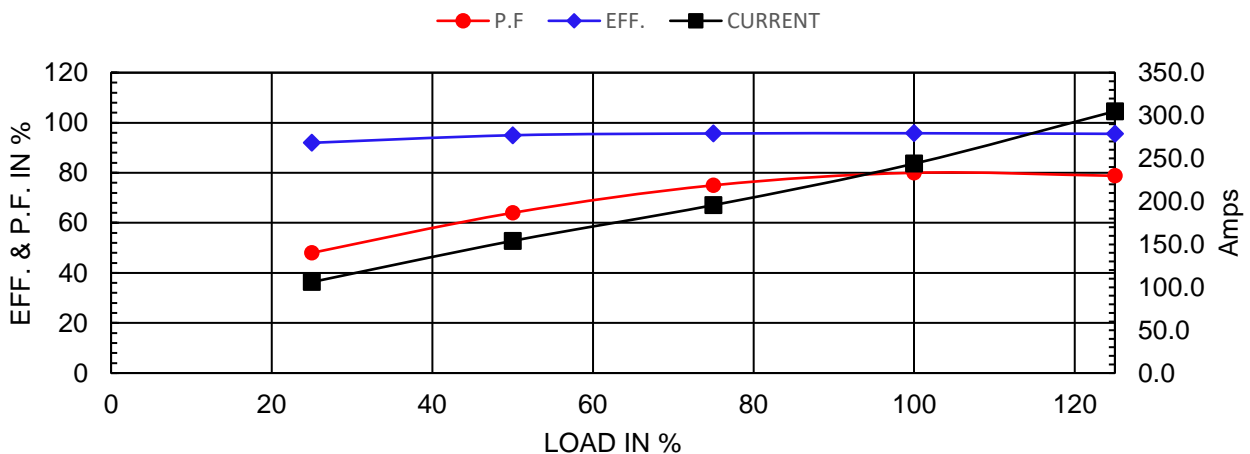
Customer:

Motor Type	PEWWE				
Output Rating (HP)	200	FL Speed	1190		
Full Load Torque	882 lb.ft	LRT (%FLT)	190	460 volt FLA	244
Rotor Wk^2	108 lb-ft^2	BDT (%FLT)	250	230 volt FLA	489

SPEED VS TORQUE & CURRENT CURVE



OUTPUT VS EFF., P.F. & CURRENT CURVE



NAMEPLATE / WIRING

Premium Efficiency Motor: **PEWWE200-12-449TC**

WorldWide Electric Corporation

1 (800) 808-2131

Worldwideelectric.net



Document Generated: 14-Oct-2024
Document ID:

Customer:

SAMPLE NAMEPLATE DATA

		3-PHASE INDUCTION MOTOR		259277 	
Model	<input type="text"/>	Ser No.	<input type="text"/>	Low Voltage 6 4 5 7 8 9 12 10 11 1 2 3 L1 L2 L3	
HP	<input type="text"/> S.F. <input type="text"/>	Rating	<input type="text"/> °C Amb Cont	High Voltage 4 5 6 7 8 9 12 10 11 1 2 3 L1 L2 L3	
Frame	<input type="text"/> P.F. <input type="text"/>	IP	<input type="text"/> Encl <input type="text"/>	50Hz 1.0SF HP % V A rpm	
Voltage	230/460 Hz <input type="text"/>	Code	<input type="text"/> Type <input type="text"/>		
Amps	<input type="text"/> RPM <input type="text"/>	Ins Cl	<input type="text"/> Design <input type="text"/>		
Nom.Eff.	FL % 3/4 %	10:1 CT 20:1 VT PWM VFD 1.0SF			
Class I DIV. 2 Groups A B C D		Amb.40°C	<input type="text"/>		
Class I Zone 2 IIC		Amb.55°C	<input type="text"/>	Date <input type="text"/>	
Grease type: LGHP 2 (compatible with polyrex)		DE Brng	<input type="text"/>		
		ODE Brng	<input type="text"/>		
WorldWide Electric Corporation					

Model	<input type="text" value="PEWWE200-12-449TC"/>						
HP	<input type="text" value="200"/>	S.F.	<input type="text" value="1.25"/>	IP	<input type="text" value="IP55"/>	Encl	<input type="text" value="TEFC"/>
Frame	<input type="text" value="449TC"/>	P.F.	<input type="text" value="0.8"/>	Code	<input type="text" value="G"/>	Type	
Voltage	<input type="text" value="230/460 V"/>	Hz	<input type="text" value="60 Hz"/>	Ins Cl	<input type="text" value="F"/>	Ambient	<input type="text" value="40°C"/>
Amps	<input type="text" value="489/244"/>	RPM	<input type="text" value="1190"/>	Design	<input type="text" value="B"/>	DE Brng	<input type="text" value="6320 C3"/>
Nom.Eff.	<input type="text" value="FL 95.8% 3/4 95.7%"/>	ODE Brng	<input type="text" value="6320 C3"/>				
Class 1 Division 2 Groups A,B,C,D T3(200°C)						Grease type: SKF LGHP 2	
50Hz							
<input type="text" value="200 HP"/>		<input type="text" value="200/400 V"/>		<input type="text" value="568/28 A"/>		<input type="text" value="990 rpm"/>	
<input type="text" value="Eff. 94.8%"/>							