

DATA SHEET

Premium Efficiency Motor: **PEWWE200-18-445/7TC**

60 Hz

WorldWide Electric Corporation

1 (800) 808-2131

Worldwideelectric.net



Document Generated: 14-Oct-2024
Document ID:

Customer:

MOTOR INFORMATION	
HP	200
RPM	1800
Phase	3
Frequency	60 Hz
Voltage	230/460 V
Frame Size	445/7TC
Enclosure	TEFC
Degree of Protection	IP55
Service Factor	1.25
Poles	4
Full Load Speed	1790
Insulation Class	F
Temp Rise	80°C
NEMA Code Letter	G
Duty Cycle	S1 / Continuous
Slip	0.55%
NEMA Design	B
Moment of Inertia	61 lb.ft.²
Locked Rotor Time (Hot)	17 seconds
Sound Pressure Level	78 dB(A)
Number of Starts	2 Cold/ 1 Hot
Max Ambient Temperature	40°C
Max Elevation	1000 m.a.s.l (3300 f.a.s.l)
Mounting	F1
Rotation	Bi-Directional
Area of Classification	Class 1 Division 2 Groups A,B,C,D T3A(180°C)
Inverter Rating	10:1 CT / 20:1 VT PWM Type
Standard	NEMA MG-1
Approvals	CSA-US, CE

EFFICIENCY/POWER FACTOR		
LOAD	EFF	P. F.
100%	96.2 %	0.85
75%	96.5 %	0.84
50%	96.3 %	0.76

TORQUE		
FULL LOAD	LRT	BDT
587 lb.ft.	180 %	250 %

AMPERAGE INFORMATION		
	230V	460V
Full Load Amps	458A	229A
Locked Rotor Amps	2900A	1450A
No Load Current	148A	74A
Usable at 208V	506A	

BEARING INFORMATION	
DE Bearing	6319 C3
ODE Bearing	6313 C3
Grease Type	SKF LGHP 2
DE Regreasing Interval	1500 Hours
ODE Regreasing Interval	3000 Hours

ADDITIONAL DATA	
F2 Suitable	Yes
Shaft Material	1045 Carbon Steel
Connection Diagram	230 / 460 V - 12 Lead Δ
Approximate Weight	1964 lbs.

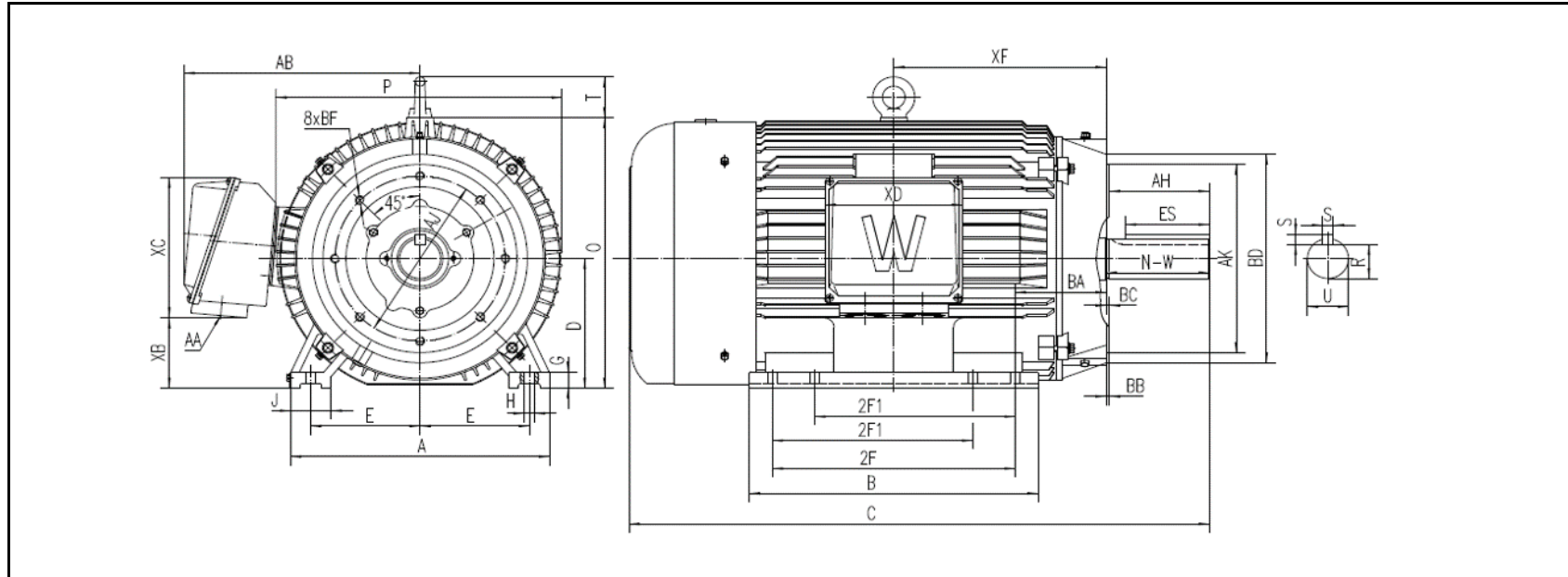
MOTOR DRAWING

Premium Efficiency Motor: **PEWWE200-18-445/7TC**

WorldWide Electric Corporation

1 (800) 808-2131

Worldwideelectric.net



DIMENSION - INCHES

MOUNTING					A	B	C	D	G	J	P	O	T	AB
E	2F1	2F	H	BA										
9	16.5	20	0.81	7.5	21.339	23.78	47.813	11	1.378	3.346	23.574	22.969	3.465	19.436

SHAFT & KEY					
S	ES	R	N-W	AH	U
0.875	6.91	2.88	8.5	8.25	3.375

TERMINAL BOX				
AA	XB	XC	XD	XF
2 X 3	5.97	11.905	11.339	17.5

FLANGE					
AJ	AK	BB	BD	BF	BC
14	16	0.25	17.717	5/8-11	0.25

PERFORMANCE CURVES

WorldWide Electric Corporation

1 (800) 808-2131

Worldwideelectric.net



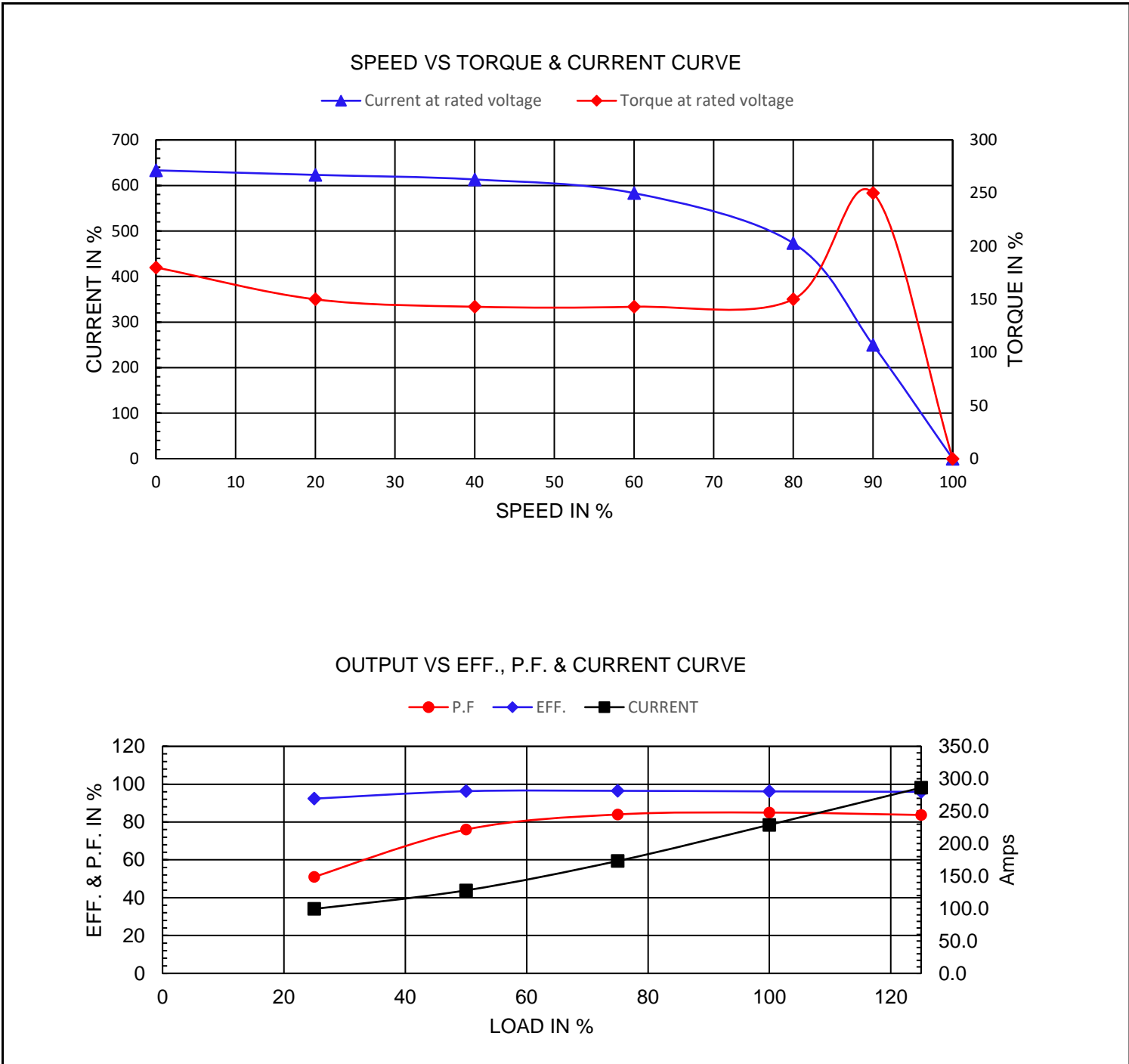
Premium Efficiency Motor:

PEWWE200-18-445/7TC

Document Generated: 14-Oct-2024
 Document ID:

Customer:

Motor Type	PEWWE				
Output Rating (HP)	200	FL Speed	1790		
Full Load Torque	587 lb.ft	LRT (%FLT)	180	460 volt FLA	229
Rotor Wk^2	61 lb-ft^2	BDT (%FLT)	250	230 volt FLA	458



NAMEPLATE / WIRING

WorldWide Electric Corporation

1 (800) 808-2131

Worldwideelectric.net



WorldWide
ELECTRIC CORPORATION

Premium Efficiency Motor:

PEWWE200-18-445/7TC

Document Generated: 14-Oct-2024
Document ID:

Customer:

SAMPLE NAMEPLATE DATA

		3-PHASE INDUCTION MOTOR		259277 	
Model	<input type="text"/>	Ser No.	<input type="text"/>	Low Voltage 6 4 5 7 8 9 12 10 11 1 2 3 L1 L2 L3	
HP	<input type="text"/> S.F. <input type="text"/>	Rating	<input type="text"/> °C Amb Cont	High Voltage 4 5 6 7 8 9 12 10 11 1 2 3 L1 L2 L3	
Frame	<input type="text"/> P.F. <input type="text"/>	IP	<input type="text"/> Encl <input type="text"/>	50Hz 1.0SF HP % V A rpm	
Voltage	230/460 Hz <input type="text"/>	Code	<input type="text"/> Type <input type="text"/>		
Amps	<input type="text"/> RPM <input type="text"/>	Ins Cl	<input type="text"/> Design <input type="text"/>		
Nom.Eff.	FL % 3/4 %	10:1 CT 20:1 VT PWM VFD 1.0SF			
Class I DIV. 2 Groups A B C D		Amb.40°C	<input type="text"/>		
Class I Zone 2 IIC		Amb.55°C	<input type="text"/>	Date <input type="text"/>	
Grease type: LGHP 2 (compatible with polyrex)		DE Brng	<input type="text"/>		
		ODE Brng	<input type="text"/>		
WorldWide Electric Corporation					

Model	<input type="text" value="PEWWE200-18-445/7TC"/>						
HP	<input type="text" value="200"/>	S.F.	<input type="text" value="1.25"/>	IP	<input type="text" value="IP55"/>	Encl	<input type="text" value="TEFC"/>
Frame	<input type="text" value="445/7TC"/>	P.F.	<input type="text" value="0.85"/>	Code	<input type="text" value="G"/>	Type	
Voltage	<input type="text" value="230/460 V"/>	Hz	<input type="text" value="60 Hz"/>	Ins Cl	<input type="text" value="F"/>	Ambient	<input type="text" value="40°C"/>
Amps	<input type="text" value="458/229"/>	RPM	<input type="text" value="1790"/>	Design	<input type="text" value="B"/>	DE Brng	<input type="text" value="6319 C3"/>
Nom.Eff.	<input type="text" value="FL 96.2% 3/4 96.5%"/>		ODE Brng	<input type="text" value="6313 C3"/>			
Class 1 Division 2 Groups A,B,C,D						T3A(180°C)	
						Grease type: SKF LGHP 2	
50Hz							
#N/A	HP	#N/A	#N/A	A	#N/A	rpm	
				Eff.	<input type="text" value="#N/A"/>		