

DATA SHEET

Premium Efficiency Motor: **PEWWE600-18-586/7UZ-IB**

60 Hz

WorldWide Electric Corporation

1 (800) 808-2131

Worldwideelectric.net



Document Generated: 18-Dec-2024
Document ID:

Customer:

MOTOR INFORMATION	
HP	600
RPM	1800
Phase	3
Frequency	60 Hz
Voltage	460 V
Frame Size	586/7UZ
Enclosure	TEFC
Degree of Protection	IP55
Service Factor	1.00
Poles	4
Full Load Speed	1790
Insulation Class	F
Temp Rise	90°C
NEMA Code Letter	H
Duty Cycle	S1 / Continuous
Slip	0.56%
NEMA Design	--
Moment of Inertia	205 lb.ft.^2
Locked Rotor Time (Hot)	15 seconds
Sound Pressure Level	92 dB(A)
Number of Starts	2 Cold/ 1 Hot
Max Ambient Temperature	40°C
Max Elevation	1000 m.a.s.l (3300 f.a.s.l)
Mounting	F1
Rotation	Bi-Directional
Area of Classification	Safe Area
Inverter Rating	3:1 CT / 6:1 VT PWM Type
Standard	NEMA MG-1
Approvals	CE

EFFICIENCY/POWER FACTOR		
LOAD	EFF	P. F.
100%	96.2 %	0.9
75%	96.2 %	0.88
50%	96.0 %	0.81

TORQUE		
FULL LOAD	LRT	BDT
1759 lb.ft.	210 %	320 %

AMPERAGE INFORMATION		
	230V	460V
Full Load Amps	--A	649A
Locked Rotor Amps	--A	4900A
No Load Current	--A	185A
Usable at 208V	--A	

BEARING INFORMATION	
DE Bearing	NU326 C3
ODE Bearing	6324 M/C3
Grease Type	SKF LGHP 2
DE Regreasing Interval	1000 Hours
ODE Regreasing Interval	1500 Hours

ADDITIONAL DATA	
F2 Suitable	No
Shaft Material	4140 Carbon Steel
Connection Diagram	460 V - 6 Lead Δ
Approximate Weight	4729 lbs.

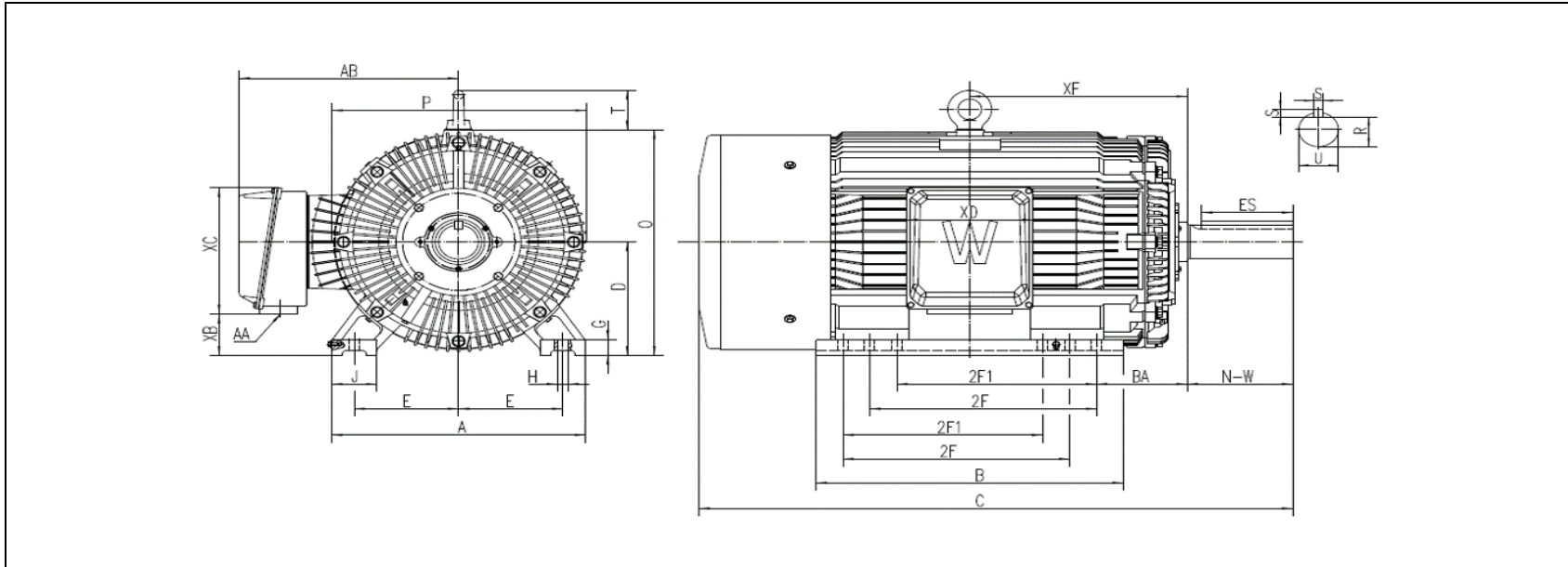
MOTOR DRAWING

Premium Efficiency Motor: **PEWWE600-18-586/7UZ-IB**

WorldWide Electric Corporation

1 (800) 808-2131

Worldwideelectric.net



DIMENSION - INCHES

MOUNTING					A	B	C	D	G	J	P	O	T	AB
E	2F1	2F	H	BA										
11.5	22	25	1.125	10	27.992	33.858	66.231	14.5	2.047	5	28.011	28.87	5.02	24.212

SHAFT & KEY				
S	ES	R	N-W	U
1	10	3.817	11.625	4.375

TERMINAL BOX				
AA	XB	XC	XD	XF
2 X 3	5.287	16.158	13.937	23.976

PERFORMANCE CURVES

WorldWide Electric Corporation

1 (800) 808-2131

Worldwideelectric.net



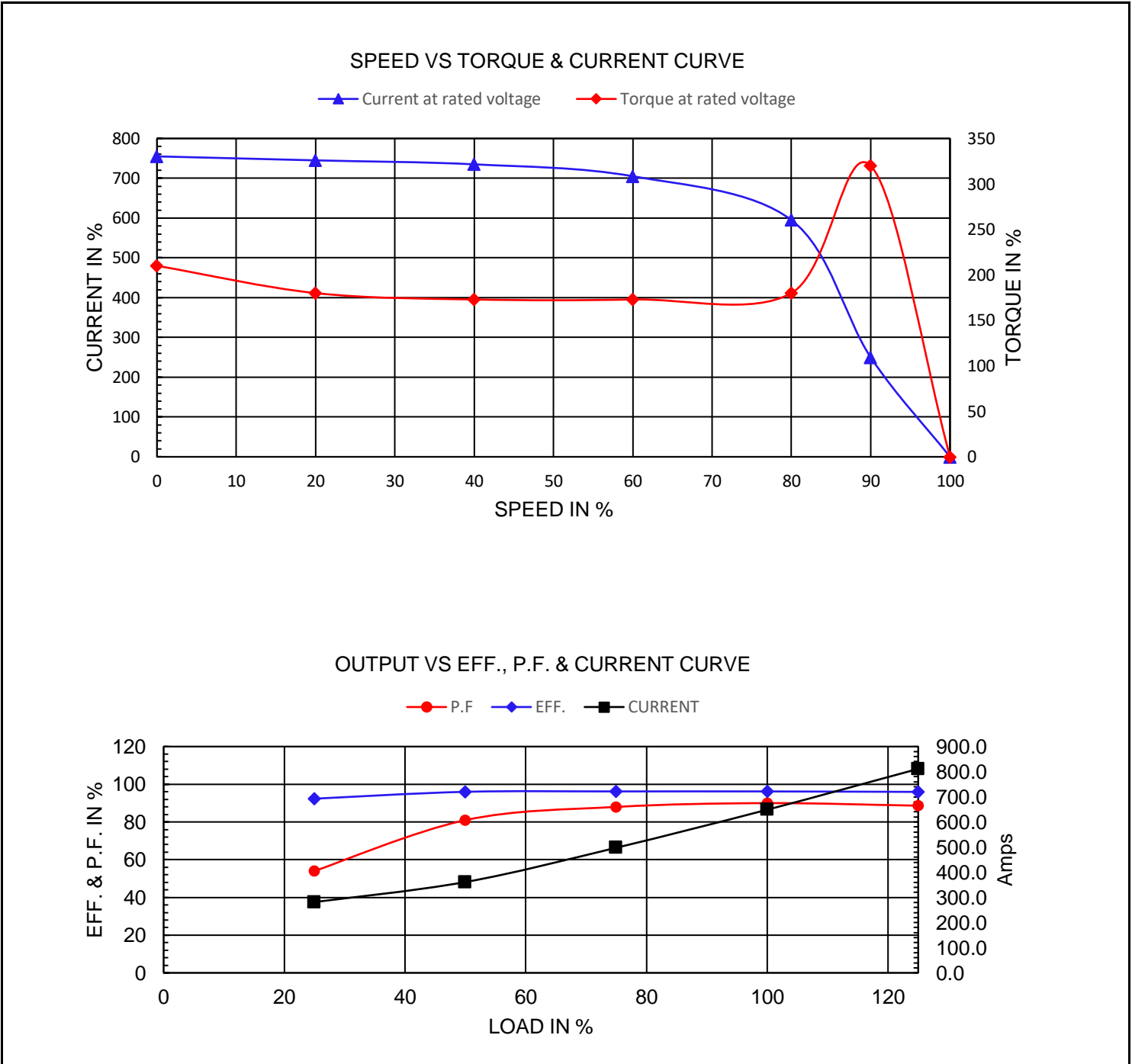
Premium Efficiency Motor:

PEWWE600-18-586/7UZ-IB

Document Generated: 18-Dec-2024
Document ID:

Customer:

Motor Type	PEWWE				
Output Rating (HP)	600	FL Speed	1790		
Full Load Torque	1759 lb.ft	LRT (%FLT)	210	460 volt FLA	649 A
Rotor Wk^2	205 lb-ft^2	BDT (%FLT)	320	230 volt FLA	-- A



NAMEPLATE / WIRING

WorldWide Electric Corporation

1 (800) 808-2131

Worldwideelectric.net



Premium Efficiency Motor:

PEWWE600-18-586/7UZ-IB

Document Generated: 18-Dec-2024
Document ID:

Customer:

SAMPLE NAMEPLATE DATA

		NEMA Premium [®]		3-PHASE INDUCTION MOTOR			
Model				Ser No.			
HP		S.F.		Rating			°C Amb Cont
Frame		P.F.		IP		Encl	
Voltage		Hz		Code		Type	
Amps		RPM		Ins Cl		Design	
Nom.Eff.	FL	% 3/4	%				
							Date
Grease type: LGHP 2 (compatible with polyrex)				DE Brng ODE Brng			
WorldWide Electric Corporation							

6	4	5
1	2	3
L1	L2	L3

Model	PEWWE600-18-586/7UZ-IB						
HP	600	S.F.	1	IP	IP55	Encl	TEFC
Frame	586/7UZ	P.F.	0.9	Code	H	Type	
Voltage	460 V	Hz	60 Hz	Ins Cl	F	Ambient	40°C
Amps	649	RPM	1790	Design	--	DE Brng NU326 C3 ODE Brng 6324 M/C3	
Nom.Eff.	FL	96.2%	3/4	96.2%			
3:1 CT 6:1 VT PWM VFD 1.0SF						Grease type: SKF LGHP 2	
50Hz							
#N/A	HP	#N/A	#N/A	A	#N/A	rpm	#N/A