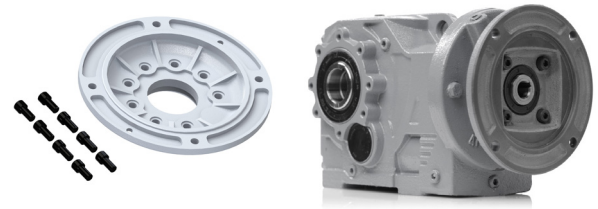




Output Flange Installation

For WorldWide Electric KAN Series Parallel Shaft Helical Gear Reducers



KAN-OPF-B5 Assembly Instructions : KAN - KMN

1. Remove oil seal and c-clip from one of the output ends depending on the shaft direction. (Fig. 1).
2. Apply silicone on the mating surface of output flange (Fig. 2); then install the output flange kit, parts 1-4 (Fig. 3)
3. Adjust oil volume and breather plug position based on the mounting position. Refer to the Installation and Operation manual for details.

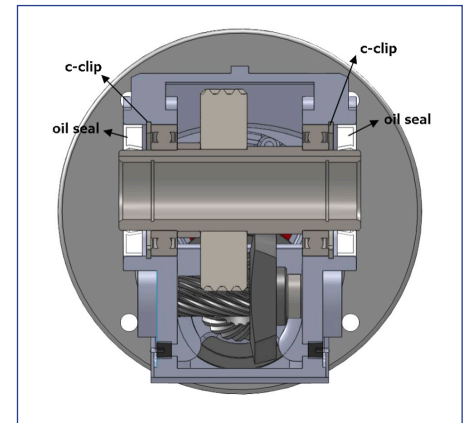


Figure 1

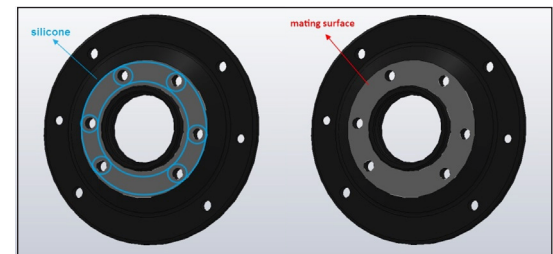


Figure 2

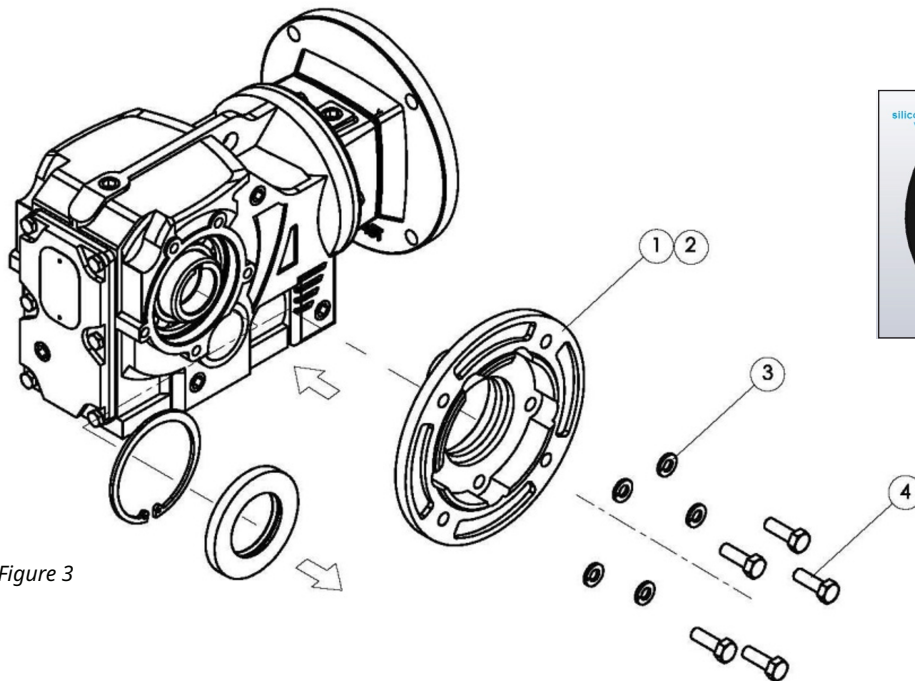


Figure 3

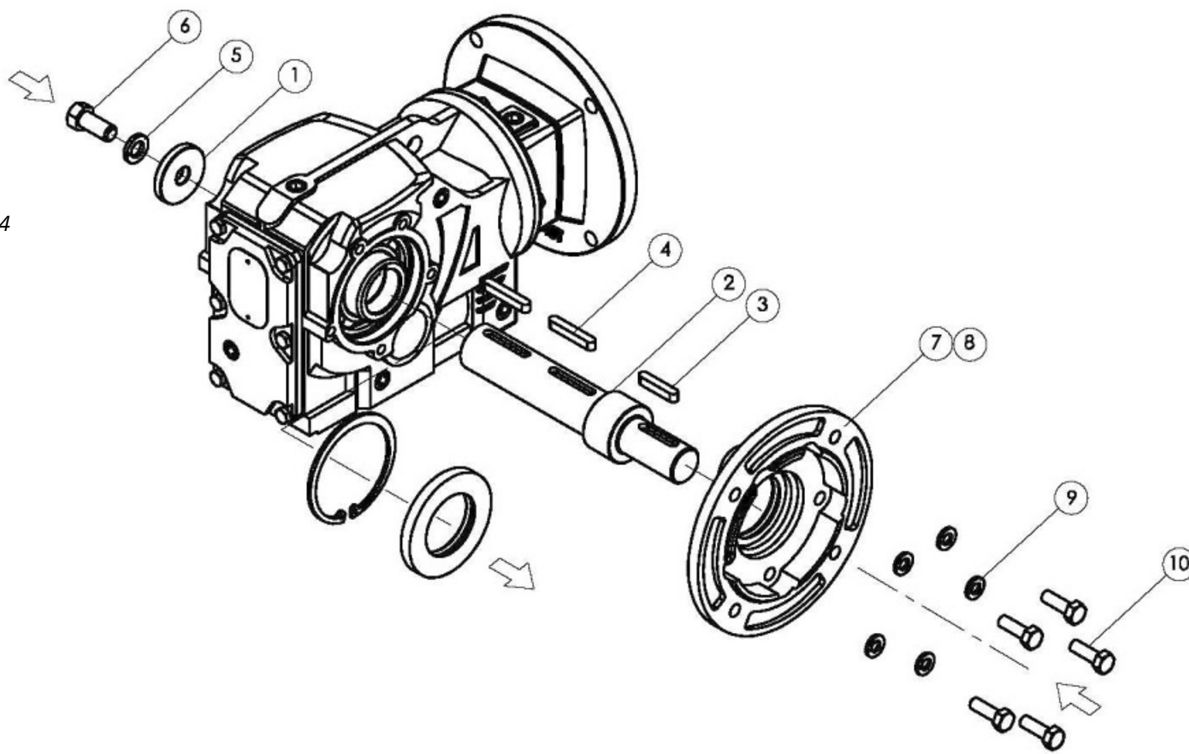
Continued on Next Page



KAN-OPS-S-B5 Assembly Instructions: KMN - KNN

1. Remove oil seal and c-clip from one of the output ends depending on the shaft direction (Fig. 1).
2. Apply silicone on the mating surface of output flange; then install the output flange kit (Fig. 2).
3. Adjust oil volume and breather plug position based on the mounting position. Refer to the Installation and Operation manual for details.
4. Install keys on the solid output shaft (Fig. 4 items 2 & 4) and put the solid output shaft through the hollow bore.
5. Fix the solid output shaft by retaining plate and bolt from the other end of shaft (Fig. 4 items 1, 5 & 6).
6. Adjust oil volume and breather plug position based on the mounting position.

Figure 4



WorldWide Electric Corporation is a leading manufacturer of electric motors, motor controls, gear reducers, and generators. Offering fast, often same-day, shipping from seven regional US warehouses, WorldWide Electric takes pride in providing a competitive edge to our customers by responding to their requirements with urgency, technical expertise, and professionalism.

© Copyright 2023 WorldWide Electric Corporation