

# DATA SHEET

Premium Efficiency Motor: **LAM7.5-9-256T**

**60 Hz**

WorldWide Electric Corporation

1 (800) 808-2131

Worldwideelectric.net



Document Generated: 8-Sep-2023  
Document ID:

Customer:

MOTOR INFORMATION	
HP	7.5
RPM	900
Phase	3
Frequency	60Hz
Voltage	230/460
Frame Size	254/6T
Enclosure	TEFC
Degree of Protection	IP55
Service Factor	1.25
Poles	8
Full Load Speed	872
Insulation Class	F
Temp Rise	80°C
NEMA Code Letter	H
Duty Cycle	S1 / Continuous
Slip	3.11%
NEMA Design	B
Moment of Inertia	2.36 lb.ft.^2
Locked Rotor Time (Hot)	12 seconds
Sound Pressure Level	76 dB(A)
Number of Starts	2 Cold/1 Hot
Max Ambient Temperature	40°C
Max Elevation	1000 m.a.s.l (3300 f.a.s.l)
Mounting	Rigid
Rotation	Bi-Directional
Area of Classification	Class 1 Division 2 Groups A,B,C,D T3B
Inverter Rating	10:1 CT / 20:1 VT
Standard	NEMA MG-1
Approvals	UL, CE, IEEE45, ABS

EFFICIENCY/POWER FACTOR		
LOAD	EFF	P. F.
100%	86.5 %	0.67
75%	88.4 %	0.60
50%	87.0 %	0.47

TORQUE		
FULL LOAD	LRT	BDT
44.06 lb.ft.	312 %	319 %

AMPERAGE INFORMATION		
	230V	460V
Full Load Amps	23.2A	11.6A
Locked Rotor Amps	124.2A	62.1A
No Load Current	14.08A	7.04A
Usable at 208V	25.7 A	

BEARING INFORMATION	
DE Bearing	6309 C3
ODE Bearing	6307 C3
Grease Type	NSK SN7
DE Regreasing Interval	2400 Hours
ODE Regreasing Interval	3600 Hours
Grease Quantity	13g/8g

ADDITIONAL DATA	
F2 Suitable	Yes
Shaft Material	AISI 1045
Connection Diagram	9 Lead Wye
Approximate Weight	lbs.

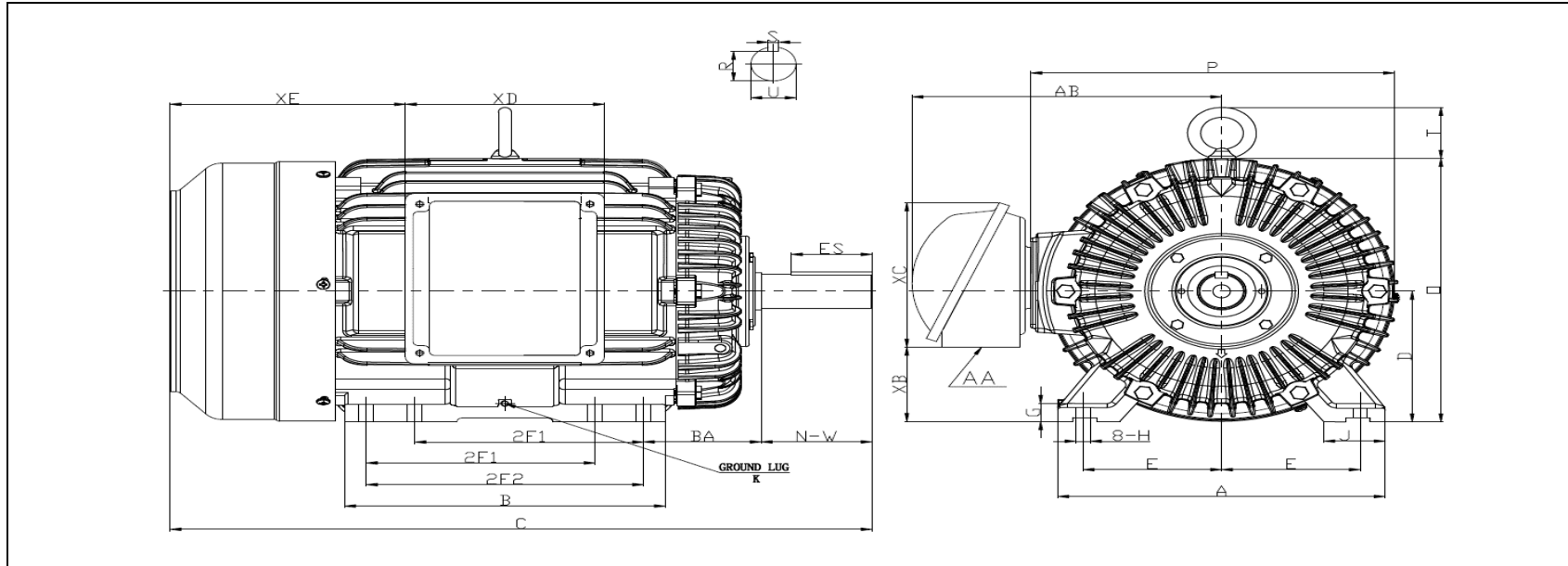
# MOTOR DRAWING

Premium Efficiency Motor: **LAM7.5-9-256T**

WorldWide Electric Corporation

1 (800) 808-2131

Worldwideelectric.net



## DIMENSION - INCHES

MOUNTING					A	B	C	D	G	J	P	O	T	AB
E	2F1	2F2	H	BA										
5	8.25	10	0.53	4.25	11.8	11.57	25.39	6.25	0.669	2.038	13.46	12.68	2.03	10.57

SHAFT & KEY				
S	ES	R	N-W	U
0.375	2.91	1.416	4	1.625

TERMINAL BOX				
AA	XB	XC	XD	XE
1-1/2 NPT	2.86	7.2	5.8	8.1

GROUND LUG
M8

# PERFORMANCE CURVES

WorldWide Electric Corporation

1 (800) 808-2131

Worldwideelectric.net



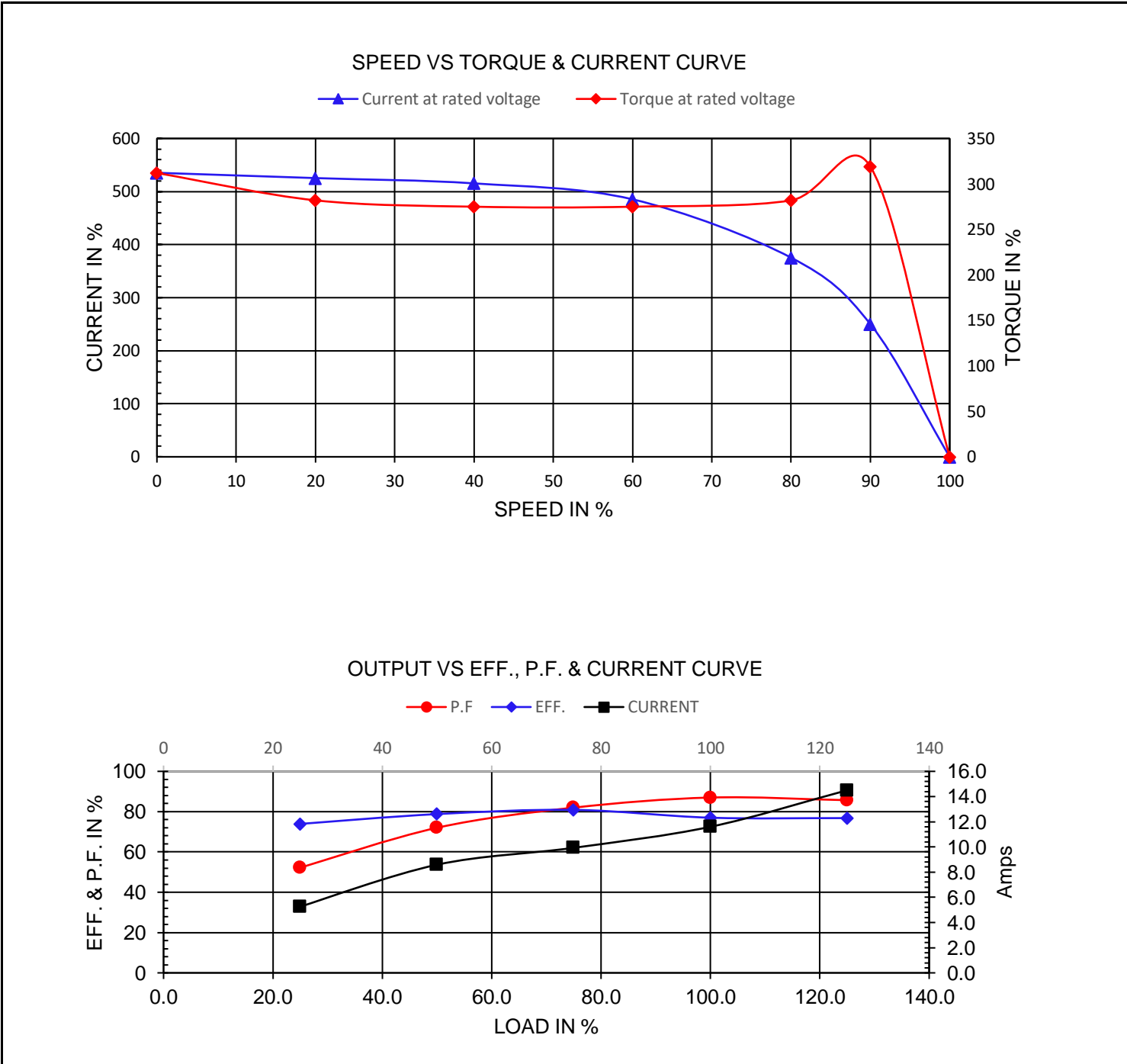
Premium Efficiency Motor:

**LAM7.5-9-256T**

Document Generated: 8-Sep-2023  
Document ID:

Customer:

Motor Type	AEH3		FL Speed	872	
Output Rating (HP)	7.5		LRT (%FLT)	312	
Full Load Torque	44.06	lb.ft	460 volt FLA	11.6	
Rotor Wk^2	2.36	lb-ft^2	230 volt FLA	23.2	
			BDT (%FLT)	319	



# NAMEPLATE / WIRING

Premium Efficiency Motor: **LAM7.5-9-256T**

WorldWide Electric Corporation

1 (800) 808-2131

Worldwideelectric.net



Document Generated: 8-Sep-2023  
Document ID:

Customer:

## SAMPLE NAMEPLATE DATA

		<b>THREE PHASE SEVERE DUTY MOTOR IEEE45</b>																																					
Model :		Encl :	Type :	SN :			<table style="width: 100%; text-align: center;"> <tr><td>4</td><td>5</td><td>6</td></tr> <tr><td>7</td><td>8</td><td>9</td></tr> <tr><td>1</td><td>2</td><td>3</td></tr> <tr><td>L1</td><td>L2</td><td>L3</td></tr> <tr><td colspan="3">230 V</td></tr> <tr><td>7</td><td>8</td><td>9</td></tr> <tr><td>4</td><td>5</td><td>6</td></tr> <tr><td>1</td><td>2</td><td>3</td></tr> <tr><td>L1</td><td>L2</td><td>L3</td></tr> <tr><td colspan="3">460 V</td></tr> </table>			4	5	6	7	8	9	1	2	3	L1	L2	L3	230 V			7	8	9	4	5	6	1	2	3	L1	L2	L3	460 V		
4	5	6																																					
7	8	9																																					
1	2	3																																					
L1	L2	L3																																					
230 V																																							
7	8	9																																					
4	5	6																																					
1	2	3																																					
L1	L2	L3																																					
460 V																																							
HP :	Poles :	FR:	Ins:	Duty: Cont	IP :	Max Amb 40°C																																	
Hz :	CODE :		Hz :		Design :																																		
Volts :	P.F :		Volts :		DE BRG :																																		
Amps :	Eff :		Amps :		ODE BRG :																																		
RPM :	S.F :		RPM :		WT :																																		
			S.F :		Date :																																		
GC306B					LOUIS ALLIS A WORLDWIDE ELECTRIC COMPANY				UL certified Class I, Division II, Groups A,B,C,D T3B																														

<b>Model:</b>	LAM7.5-9-256T	<b>Encl:</b>	TEFC	<b>Type:</b>	AEH3	
<b>HP:</b>	7.5	<b>Poles</b>	8	<b>FR:</b>	254/6T	<b>IP:</b> 55
<b>Hz:</b>	60	<b>CODE:</b>	H	<b>Hz</b>	50	<b>HP:</b> 7.5
<b>Volts:</b>	230/460	<b>P.F:</b>	0.67	<b>Volts:</b>	190/380	<b>Design:</b> B
<b>Amps:</b>	23.2/11.6	<b>Eff:</b>	0.865	<b>Amps</b>	28.0/14.0	<b>DE BRG:</b> 6309 C3
<b>RPM:</b>	872	<b>S.F:</b>	1.25	<b>RPM</b>	715	<b>ODE BRG:</b> 6307 C3
				<b>S.F:</b>	1.00	<b>WT:</b> lbs.