

# DATA SHEET

Premium Efficiency Motor: **LAM7.5-36-213T**

**60 Hz**

WorldWide Electric Corporation

1 (800) 808-2131

Worldwideelectric.net



Document Generated: 8-Sep-2023  
Document ID:

Customer:

MOTOR INFORMATION	
HP	7.5
RPM	3600
Phase	3
Frequency	60 Hz
Voltage	230/460
Frame Size	213/5T
Enclosure	TEFC
Degree of Protection	IP55
Service Factor	1.25
Poles	2
Full Load Speed	3490
Insulation Class	F
Temp Rise	80°C
NEMA Code Letter	G
Duty Cycle	S1 / Continuous
Slip	3.06%
NEMA Design	B
Moment of Inertia	0.413 lb.ft.^2
Locked Rotor Time (Hot)	12 seconds
Sound Pressure Level	91 dB(A)
Number of Starts	2 Cold/1 Hot
Max Ambient Temperature	40°C
Max Elevation	1000 m.a.s.l (3300 f.a.s.l)
Mounting	Rigid
Rotation	Bi-Directional
Area of Classification	Class 1 Division 2 Groups A,B,C,D T3B
Inverter Rating	10:1 CT / 20:1 VT
Standard	NEMA MG-1
Approvals	UL, CE, IEEE45, ABS

EFFICIENCY/POWER FACTOR		
LOAD	EFF	P. F.
100%	89.5 %	0.9
75%	90.4 %	0.88
50%	89.7 %	0.84

TORQUE		
FULL LOAD	LRT	BDT
10.99 lb.ft.	348 %	369 %

AMPERAGE INFORMATION		
	230V	460V
Full Load Amps	17.2A	8.6A
Locked Rotor Amps	117.4A	58.7A
No Load Current	4A	2A
Usable at 208V		19 A

BEARING INFORMATION	
DE Bearing	6308 ZZ
ODE Bearing	6306 ZZ
Grease Type	NSK SN7
DE Regreasing Interval	-- Hours
ODE Regreasing Interval	-- Hours
Grease Quantity	--

ADDITIONAL DATA	
F2 Suitable	Yes
Shaft Material	AISI 1045
Connection Diagram	9 Lead Wye
Approximate Weight	170.9 lbs.

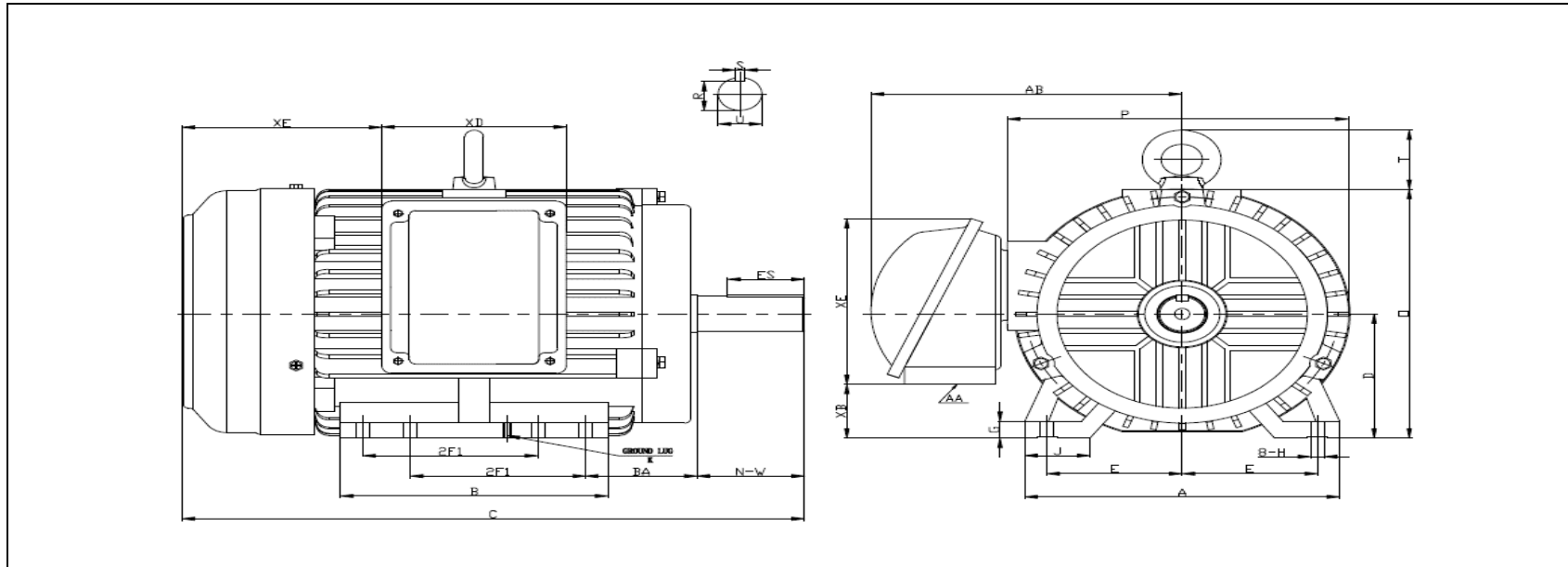
# MOTOR DRAWING

Premium Efficiency Motor: **LAM7.5-36-213T**

WorldWide Electric Corporation

1 (800) 808-2131

Worldwideelectric.net



## DIMENSION - INCHES

MOUNTING					A	B	C	D	G	J	P	O	T	AB
E	2F1	2F2	H	BA										
4.25	5.5	7	0.43	3.5	9.88	8.405	19.8	5.25	0.708	1.91	10.8	10.53	1.72	9.8

SHAFT & KEY				
S	ES	R	N-W	U
0.31	2.41	1.201	3.38	1.375

TERMINAL BOX				
AA	XB	XC	XD	XE
1 NPT	2.25	7.9	5.8	6.5

GROUND LUG
M5

# PERFORMANCE CURVES

Premium Efficiency Motor:

**LAM7.5-36-213T**

WorldWide Electric Corporation

1 (800) 808-2131

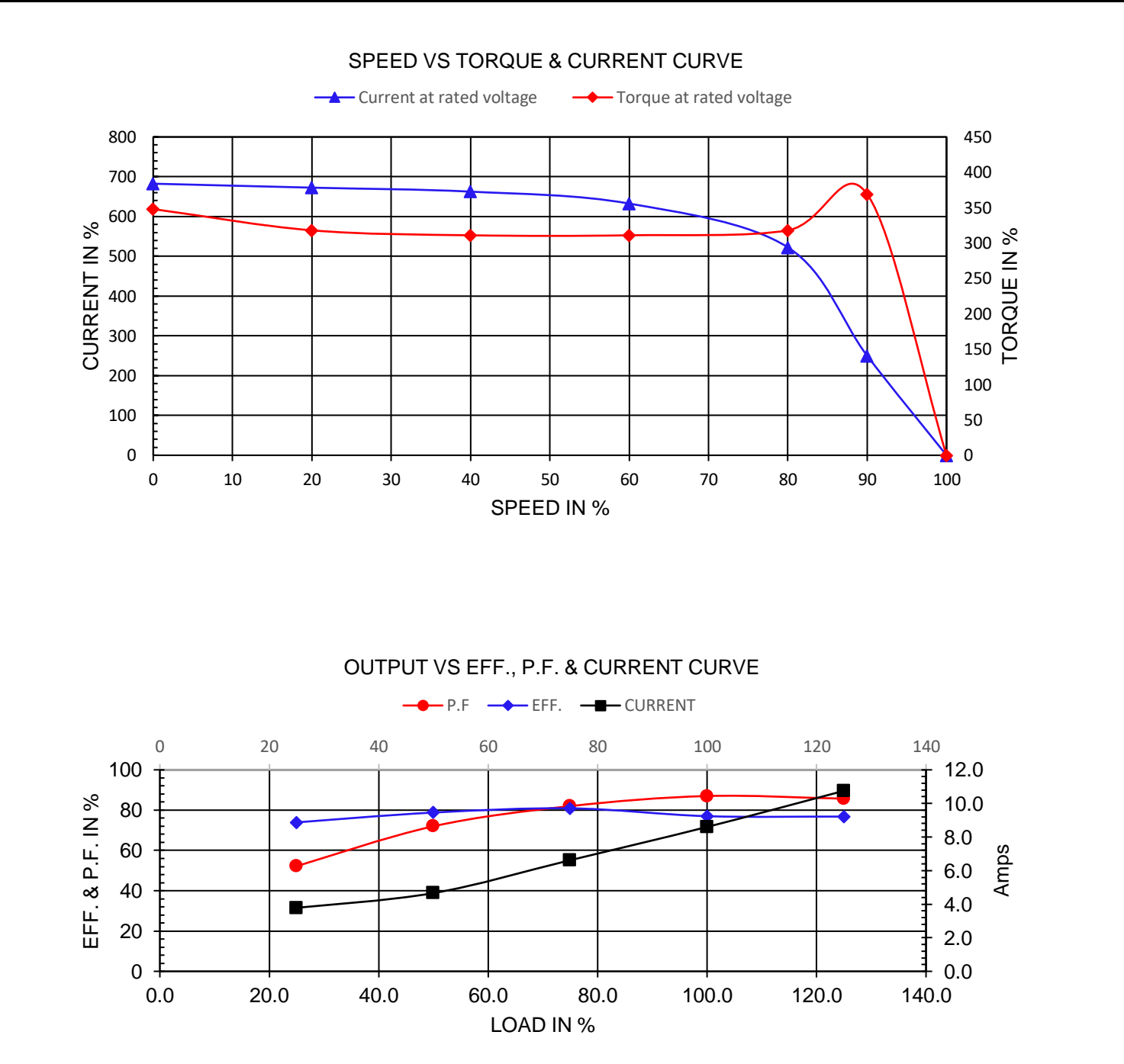
Worldwideelectric.net



Document Generated: 8-Sep-2023  
Document ID:

Customer:

Motor Type	AEH3		FL Speed	3490	
Output Rating (HP)	7.5		LRT (%FLT)	348	460 volt FLA 8.6
Full Load Torque	10.99 lb.ft		BDT (%FLT)	369	230 volt FLA 17.2
Rotor Wk^2	0.413 lb-ft^2				



# NAMEPLATE / WIRING

Premium Efficiency Motor: **LAM7.5-36-213T**

WorldWide Electric Corporation

1 (800) 808-2131

Worldwideelectric.net



Document Generated: 8-Sep-2023  
Document ID:

Customer:

## SAMPLE NAMEPLATE DATA

		<b>THREE PHASE SEVERE DUTY MOTOR I EEE45</b>																						
Model :		Encl :	Type :	SN :			<table style="width: 100%; text-align: center;"> <tr><td>4</td><td>5</td><td>6</td></tr> <tr><td>7</td><td>8</td><td>9</td></tr> <tr><td>↓1</td><td>↓2</td><td>↓3</td></tr> <tr><td>L1</td><td>L2</td><td>L3</td></tr> <tr><td colspan="3">230 V</td></tr> </table>			4	5	6	7	8	9	↓1	↓2	↓3	L1	L2	L3	230 V		
4	5	6																						
7	8	9																						
↓1	↓2	↓3																						
L1	L2	L3																						
230 V																								
HP :	Poles :	FR :	Ins :	Duty: Cont	IP :	Max Amb 40°C																		
Hz :		CODE :	Hz :		Design :																			
Volts :		P.F :	Volts :		DE BRG :																			
Amps :		Eff :	Amps :		ODE BRG :																			
RPM :		S.F :	RPM :		WT :																			
			S.F :		Date :																			
CC306B				LOUIS ALLIS				UL certified Class I, Division II, Groups A,B,C,D T3B																
				A WORLDWIDE ELECTRIC COMPANY																				

<b>Model:</b>	LAM7.5-36-213T	<b>Encl:</b>	TEFC	<b>Type:</b>	AEH3	
<b>HP:</b>	7.5	<b>Poles</b>	2	<b>FR:</b>	213/5T	<b>IP:</b> 55
<b>Hz:</b>	60	<b>CODE:</b>	G	<b>Hz</b>	50	<b>HP:</b> 7.5
<b>Volts:</b>	230/460	<b>P.F:</b>	0.9	<b>Volts:</b>	190/380	<b>Design:</b> B
<b>Amps:</b>	17.2/8.6	<b>Eff:</b>	0.895	<b>Amps</b>	21.2/10.6	<b>DE BRG:</b> 6308 ZZ
<b>RPM:</b>	3490	<b>S.F:</b>	1.25	<b>RPM</b>	2850	<b>ODE BRG:</b> 6306 ZZ
				<b>S.F:</b>	1.00	<b>WT:</b> 170.9 lbs.