

DATA SHEET

Premium Efficiency Motor: **LAM30-9-364T**

60 Hz

WorldWide Electric Corporation

1 (800) 808-2131

Worldwideelectric.net



Document Generated: 8-Sep-2023
Document ID:

Customer:

MOTOR INFORMATION	
HP	30
RPM	900
Phase	3
Frequency	60Hz
Voltage	230/460
Frame Size	364/5T
Enclosure	TEFC
Degree of Protection	IP55
Service Factor	1.25
Poles	8
Full Load Speed	890
Insulation Class	F
Temp Rise	80°C
NEMA Code Letter	G
Duty Cycle	S1 / Continuous
Slip	1.11%
NEMA Design	B
Moment of Inertia	24.09 lb.ft.^2
Locked Rotor Time (Hot)	12 seconds
Sound Pressure Level	86 dB(A)
Number of Starts	2 Cold/1 Hot
Max Ambient Temperature	40°C
Max Elevation	1000 m.a.s.l (3300 f.a.s.l)
Mounting	Rigid
Rotation	Bi-Directional
Area of Classification	Class 1 Division 2 Groups A,B,C,D T3B
Inverter Rating	10:1 CT / 20:1 VT
Standard	NEMA MG-1
Approvals	UL, CE, IEEE45, ABS

EFFICIENCY/POWER FACTOR		
LOAD	EFF	P. F.
100%	91.7 %	0.73
75%	93.6 %	0.66
50%	92.3 %	0.54

TORQUE		
FULL LOAD	LRT	BDT
174.46 lb.ft.	264 %	327 %

AMPERAGE INFORMATION		
	230V	460V
Full Load Amps	80.4A	40.2A
Locked Rotor Amps	471.4A	235.7A
No Load Current	45A	22.5A
Usable at 208V	89 A	

BEARING INFORMATION	
DE Bearing	6316 C3
ODE Bearing	6313 C3
Grease Type	NSK SN7
DE Regreasing Interval	2400 Hours
ODE Regreasing Interval	3600 Hours
Grease Quantity	33g/23g

ADDITIONAL DATA	
F2 Suitable	Yes
Shaft Material	AISI 1045
Connection Diagram	12 Lead Delta
Approximate Weight	lbs.

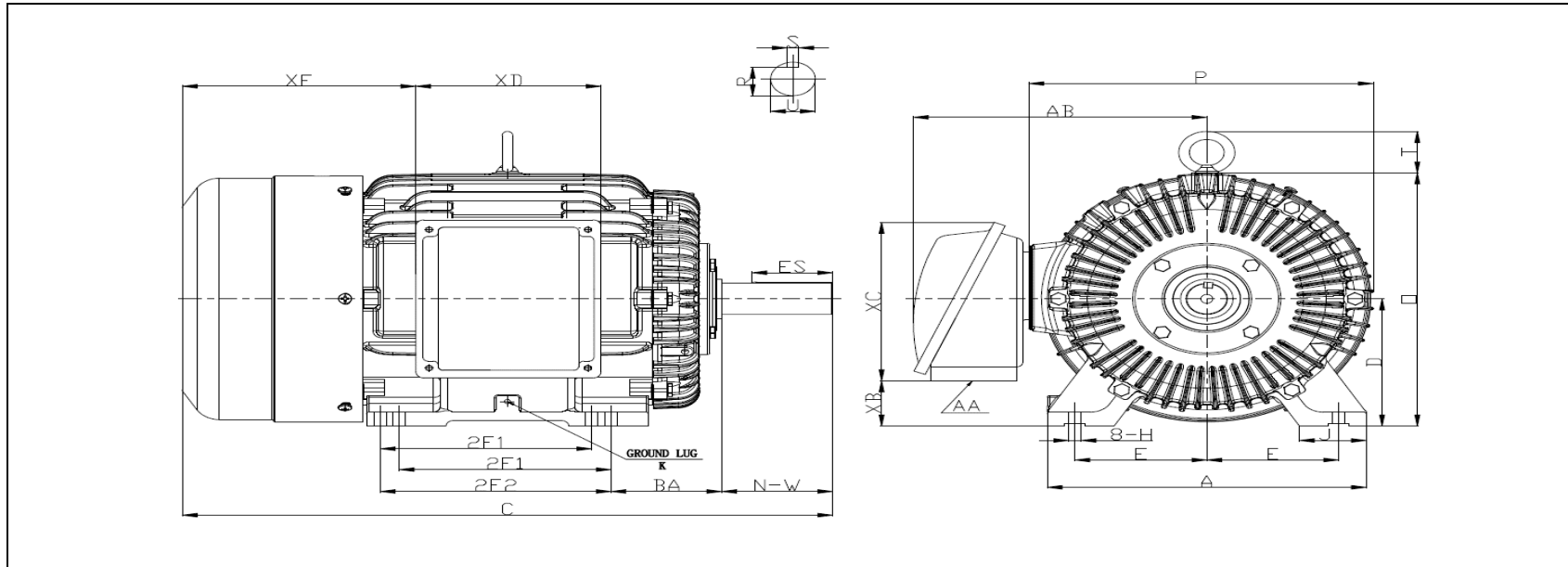
MOTOR DRAWING

Premium Efficiency Motor: **LAM30-9-364T**

WorldWide Electric Corporation

1 (800) 808-2131

Worldwideelectric.net



DIMENSION - INCHES

MOUNTING					A	B	C	D	G	J	P	O	T	AB
E	2F1	2F2	H	BA										
7	11.25	12.25	0.66	5.88	17.72	15.4	35.52	9	1.181	3.543	18.41	20	2.81	16.53

SHAFT & KEY				
S	ES	R	N-W	U
0.625	4.28	2.021	5.88	2.375

TERMINAL BOX				
AA	XB	XC	XD	XE
3 NPT	4.29	11.27	9.17	12.4

GROUND LUG
M10

PERFORMANCE CURVES

WorldWide Electric Corporation

1 (800) 808-2131

Worldwideelectric.net



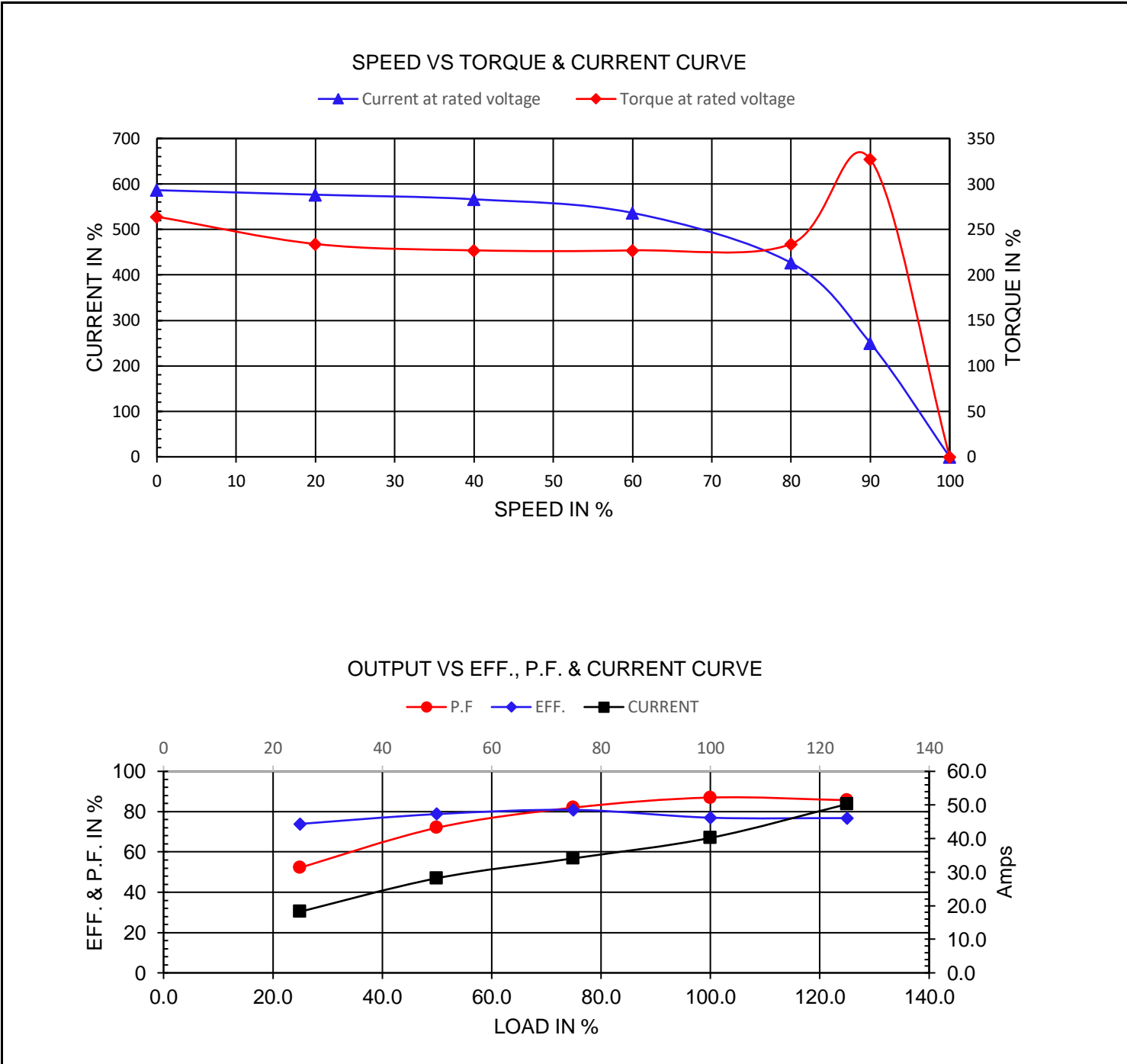
Premium Efficiency Motor:

LAM30-9-364T

Document Generated: 8-Sep-2023
Document ID:

Customer:

Motor Type	AEH3		FL Speed	890	
Output Rating (HP)	30		LRT (%FLT)	264	
Full Load Torque	174.46	lb.ft	460 volt FLA	40.2	
Rotor Wk^2	24.09	lb-ft^2	230 volt FLA	80.4	
			BDT (%FLT)	327	



NAMEPLATE / WIRING

Premium Efficiency Motor: **LAM30-9-364T**

WorldWide Electric Corporation

1 (800) 808-2131

Worldwideelectric.net



Document Generated: 8-Sep-2023
Document ID:

Customer:

SAMPLE NAMEPLATE DATA

		THREE PHASE SEVERE DUTY MOTOR I EEE45																																											
Model :		Encl :		Type :		SN :		<table style="width: 100%; text-align: center;"> <tr> <td>7</td><td>8</td><td>9</td></tr> <tr> <td>6</td><td>4</td><td>5</td></tr> <tr> <td>12</td><td>10</td><td>11</td></tr> <tr> <td>1</td><td>2</td><td>3</td></tr> <tr> <td>L1</td><td>L2</td><td>L3</td></tr> <tr> <td colspan="3">230 V</td></tr> <tr> <td>7</td><td>8</td><td>9</td></tr> <tr> <td>4</td><td>5</td><td>6</td></tr> <tr> <td>12</td><td>10</td><td>11</td></tr> <tr> <td>1</td><td>2</td><td>3</td></tr> <tr> <td>L1</td><td>L2</td><td>L3</td></tr> <tr> <td colspan="3">460 V</td></tr> </table>		7	8	9	6	4	5	12	10	11	1	2	3	L1	L2	L3	230 V			7	8	9	4	5	6	12	10	11	1	2	3	L1	L2	L3	460 V		
7	8	9																																											
6	4	5																																											
12	10	11																																											
1	2	3																																											
L1	L2	L3																																											
230 V																																													
7	8	9																																											
4	5	6																																											
12	10	11																																											
1	2	3																																											
L1	L2	L3																																											
460 V																																													
HP :	Poles :	FR:	Ins:	Duty: Cont	IP :	Max Amb 40°C																																							
Hz :	CODE :		Hz :	HP :	Design :																																								
Volts :	P.F :		Volts :	DE BRG :																																									
Amps :	Eff :		Amps :	ODE BRG :																																									
RPM :	S.F :		RPM :	WT :																																									
			S.F :	Date :																																									
CC306B		LOUIS ALLIS A WORLDWIDE ELECTRIC COMPANY						UL certified Class I, Division II, Groups A,B,C,D T3B																																					

Model:	LAM30-9-364T	Encl:	TEFC	Type:	AEH3		
HP:	30	Poles	8	FR:	364/5T	IP:	55
Hz:	60	CODE:	G	Hz	50	HP:	30
Volts:	230/460	P.F:	0.73	Volts:	190/380	Design:	B
Amps:	80.4/40.2	Eff:	0.917	Amps	93.2/46.6	DE BRG:	6316 C3
RPM:	890	S.F:	1.25	RPM	735	ODE BRG:	6313 C3
				S.F:	1.00	WT:	lbs.