

# DATA SHEET

Premium Efficiency Motor: **LAM450-18-L449TBB-IB**

**60 Hz**

WorldWide Electric Corporation

1 (800) 808-2131

Worldwideelectric.net



Document Generated: 8-Sep-2023  
Document ID:

Customer:

MOTOR INFORMATION	
HP	450
RPM	1800
Phase	3
Frequency	60 Hz
Voltage	460
Frame Size	L447/9T
Enclosure	TEFC
Degree of Protection	IP55
Service Factor	1.15
Poles	4
Full Load Speed	1790
Insulation Class	F
Temp Rise	80°C
NEMA Code Letter	H
Duty Cycle	S1 / Continuous
Slip	0.60%
NEMA Design	A
Moment of Inertia	163.5 lb.ft.^2
Locked Rotor Time (Hot)	12 seconds
Sound Pressure Level	108 dB(A)
Number of Starts	2 Cold/1 Hot
Max Ambient Temperature	40°C
Max Elevation	1000 m.a.s.l (3300 f.a.s.l)
Mounting	Rigid
Rotation	Bi-Directional
Area of Classification	Class 1 Division 2 Groups A,B,C,D T3B
Inverter Rating	10:1 CT / 20:1 VT
Standard	NEMA MG-1
Approvals	UL, CE, IEEE45, ABS

EFFICIENCY/POWER FACTOR		
LOAD	EFF	P. F.
100%	96.2 %	0.9
75%	96.1 %	0.88
50%	95.8 %	0.82

TORQUE		
FULL LOAD	LRT	BDT
1325 lb.ft.	224 %	370 %

AMPERAGE INFORMATION		
	230V	460V
Full Load Amps	--A	487.9A
Locked Rotor Amps	--A	3678A
No Load Current	--A	135.4A
Usable at 208V		-- A

BEARING INFORMATION	
DE Bearing	6320 C3
ODE Bearing	6320 C3-INS
Grease Type	Mobil Polyrex EM
DE Regreasing Interval	2400 Hours
ODE Regreasing Interval	2400 Hours
Grease Quantity	51g/51g

ADDITIONAL DATA	
F2 Suitable	Yes
Shaft Material	4140
Connection Diagram	6 Lead Delta
Approximate Weight	lbs.

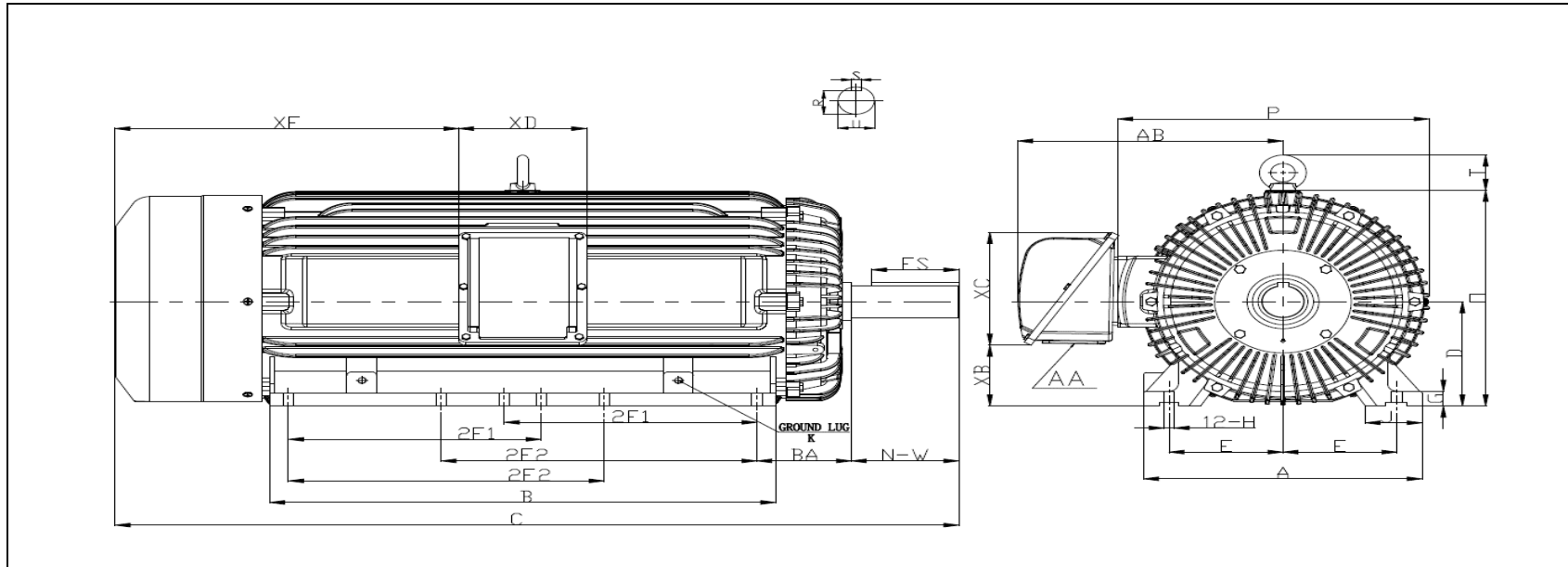
# MOTOR DRAWING

Premium Efficiency Motor: **LAM450-18-L449TBB-IB**

WorldWide Electric Corporation

1 (800) 808-2131

Worldwideelectric.net



## DIMENSION - INCHES

MOUNTING					A	B	C	D	G	J	P	O	T	AB
E	2F1	2F2	H	BA										
9	20	25	0.81	7.5	22	40	66.9	11	1.417	4.33	25.8	23.8	4.85	23.4

SHAFT & KEY				
S	ES	R	N-W	U
0.875	6.91	2.88	8.5	3.375

TERMINAL BOX				
AA	XB	XC	XD	XE
3 NPT	4.13	16.2	11.6	27.2

GROUND LUG
M12

# PERFORMANCE CURVES

WorldWide Electric Corporation

1 (800) 808-2131

Worldwideelectric.net

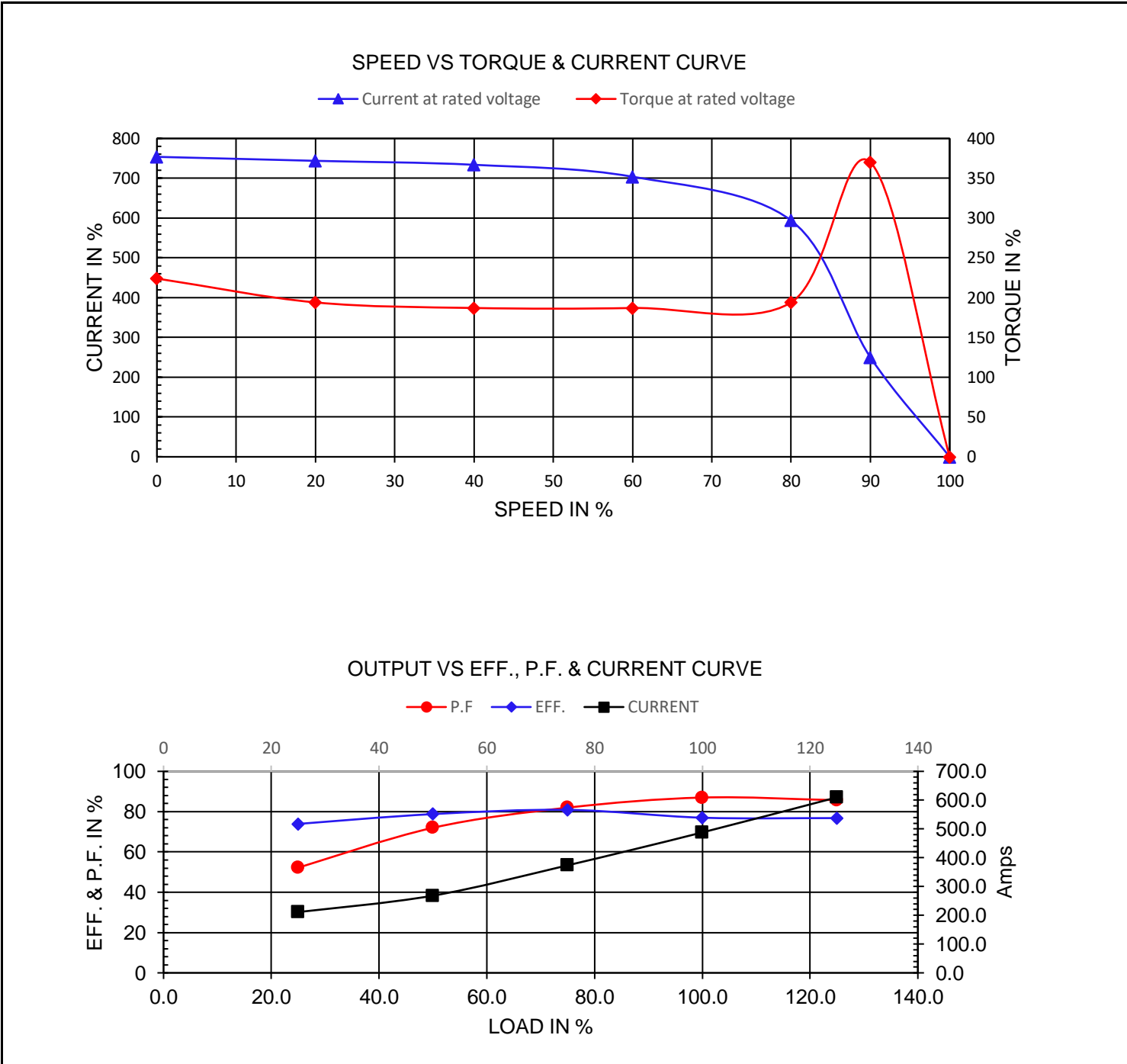


Premium Efficiency Motor:

**LAM450-18-L449TBB-IB**

Document Generated: 8-Sep-2023	Customer:
Document ID:	

Motor Type	AEH3		FL Speed	1790	
Output Rating (HP)	450		LRT (%FLT)	224	
Full Load Torque	1325 lb.ft		460 volt FLA	487.9	
Rotor Wk^2	163.5 lb-ft^2		230 volt FLA	--	



# NAMEPLATE / WIRING

Premium Efficiency Motor: **LAM450-18-L449TBB-IB**

WorldWide Electric Corporation

1 (800) 808-2131

Worldwideelectric.net



Document Generated: 8-Sep-2023  
Document ID:

Customer:

## SAMPLE NAMEPLATE DATA

		<b>THREE PHASE SEVERE DUTY MOTOR IEEE45</b>							
Model :			Encl :		Type :		SN :		
HP :	Poles :	FR:	Ins:	Duty: Cont	IP :	Max Amb 40°C			
Hz :	CODE :		Hz :	HP :	Design :				
Volts :	P.F :		Volts :	DE BRG :					
Amps :	Eff :		Amps :	ODE BRG :					
RPM :	S.F :		RPM :	WT :					
			S.F :	Date :					
CC306B		<b>LOUIS ALLIS</b> A WORLDWIDE ELECTRIC COMPANY							
UL certified Class I, Division II, Groups A,B,C,D T3B									

<b>Model:</b>	LAM450-18-L449TBB-IB	<b>Encl:</b>	TEFC	<b>Type:</b>	AEH3		
<b>HP:</b>	450	<b>Poles</b>	4	<b>FR:</b>	L447/9T	<b>IP:</b>	55
<b>Hz:</b>	60	<b>CODE:</b>	H	<b>Hz</b>	50	<b>HP:</b>	400
<b>Volts:</b>	460	<b>P.F:</b>	0.9	<b>Volts:</b>	380	<b>Design:</b>	B
<b>Amps:</b>	487.9	<b>Eff:</b>	0.962	<b>Amps</b>	523.1	<b>DE BRG:</b>	6320 C3
<b>RPM:</b>	1790	<b>S.F:</b>	1.15	<b>RPM</b>	1490	<b>ODE BRG:</b>	6320 C3-INS
				<b>S.F:</b>	1.00	<b>WT:</b>	lbs.